

MAXI 500

A new passive mobile lift

ARJOHUNTLEIGH



...with people in mind

POWERED ASSISTANCE FOR CARER PROTECTION ...

From the busiest hospital to the smallest nursing home, carers are faced daily with the risk of crippling back pain and injury due to the manual moving and handling of residents. With the right mechanical aids in place carer safety can be improved and injury-related costs reduced. Easy to understand, simple to operate and offering maximum resident comfort, ArjoHuntleigh patient lifts are firmly established as the most appropriate ergonomic choice for today's professional nurse and carer.



... AN EFFICIENT SOLUTION FOR EVERYDAY PATIENT HANDLING

Maxi 500 combines proven lifting technology with the latest standards in safety, security and comfort for both resident and carer alike. Compatible with a full range of head and body support slings, the electrically-operated *Maxi 500* allows carers to give their undivided attention to the resident during handling routines.

Using *Maxi 500*, one carer can safely and comfortably perform a wide range of everyday patient transfer tasks. And importantly, the carer can also raise a person who has fallen to the floor without needing to sit the resident up first.

All power-assisted procedures can be closely controlled by the carer. With dual controls the carer can choose the most convenient solution for each task by using the handset or the mast control panel.

The adjustable chassis, operated from the handset, can be easily adjusted to allow optimum access for resident transfers involving large chairs, wheelchairs or toilets.

Maxi 500 is also available with a scale option, allowing the carer to quickly weigh the resident during a transfer. Efficiently integrating weighing into transfer procedures saves time, eliminates a transfer to a fixed scale and makes the routine easier for resident and carer.

Key features

- Spreader bar is available in 2-point loop configuration or ArjoHuntleigh 4-point DPS (Dynamic Positioning System) compatible with a wide range of ArjoHuntleigh slings.
- Boom with low reach makes it easy to pick up a person from the floor.
- Powered lifting protects carer by minimizing physical effort.
- Ergonomically designed push/pull handles reduce carer strain.
- New low-friction castors provide excellent manoeuvrability and effortless transportation.
- Dual controls allow the carer to operate lift from the handset or mast control panel.
- Soft start/stop circuitry increases resident comfort and security during procedures.
- Optional electronic scale mounted on boom is convenient to use and maximizes lifting height.



A single carer can safely raise a resident from the floor.



The electronic scale option saves the carer's valuable time.



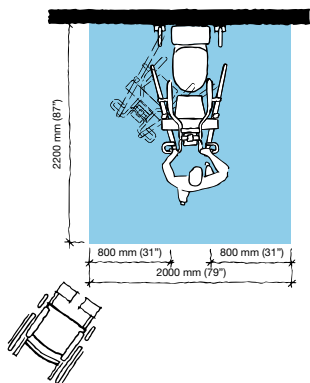
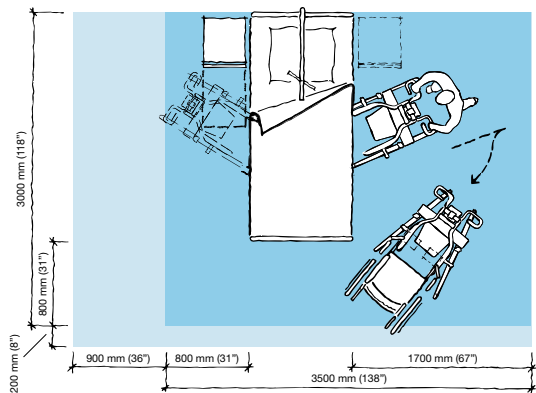
Chassis adjustment enables optimum lift positioning for toileting.



Operate efficiently via the handset or mast control panel. Ergonomically designed push/pull handles for smooth manoeuvres.

PRODUCT SPECIFICATIONS

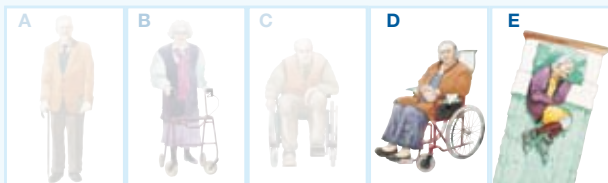
Space requirement



- Blue area shows the minimum working area required for the staff to be able to use the mechanical aids in an ergonomic way from one side.
- Light blue area shows required extension of working area to facilitate activities from either side to provide adequate access for the resident, mechanical aid and assisting carer.

Mobility Gallery

Suitable for Doris and Emma



D Doris, who has no capacity to support herself

E Emma, who is almost completely bedridden and totally dependant

Please contact ArjoHuntleigh for further information on the Mobility Gallery™.

Product information

Max. safe working load	227 kg (500 lbs)
Total weight	53 kg (116 ½ lbs)
Total lift height	1334 mm (52 ½")
Lifting height	660-1830 mm (25-72")
Height of chassis	110 mm (4 ¾")
External width legs closed	635 mm (25")
Internal width legs open	910 mm (35 ¾")
Low friction castors, the rear two with brakes	

Battery 24V 4Ah

Two batteries and a charger are supplied with each Maxi 500

Protection class Handset IP67
Lifter IPX4

Emergency stop and system failure override

Approvals

The product is in compliance with current legislation and applicable product standards.

Options



THE ELECTRONIC SCALE:

- Integrates weighing into transfer procedures
- Eliminates extra transfer to fixed scale
- Saves carer's time and reduces manual handling
- Makes weighing more comfortable for patients

Only ArjoHuntleigh designed parts, which are designed specifically for the purpose, should be used on the equipment and products supplied by ArjoHuntleigh. As our policy is one of continuous development we reserve the right to modify designs and specifications without prior notice.

ArjoHuntleigh, Maxi 500 and Resident Gallery™ are trademarks belonging to the ArjoHuntleigh group.