

ARJOHUNTLEIGH

GETINGE GROUP

SARA STEDY

ENHANCED STANDING AID



...with people in mind



ENHANCING SUPPORT FOR MORE PATIENTS

Sara Stedy®, a new enhanced standing aid, builds on the success of *Stedy*, a proven mobility-promoting support aid that encourages more mobile patients and residents to stand up independently. With a number of new enhancements, *Sara Stedy* helps to minimise manual handling by carers in an even wider range of care situations. With an increased inner width, a new seat shape and a safe working load raised to 182 kg, *Sara Stedy* also meets the standing assistance needs of larger patients. Enhanced features including a pivoting divided seat and pedal-operated chassis legs ensure improved comfort and support, and make working routines easier for carers.

New seat design



The innovative pivoting seat improves transfer efficiency and patient stability.

Built-in seat handgrips



Handgrips integrated in the seat allow the carer to easily turn the support aid.

Easy-to-open chassis



Pedal-operated chassis legs adjust easily for optimum access during transfers.

Better knee support



Provides extra stability or firm support when a patient cannot fully control leg movements.

Total-lock castors



New total-lock castors provide complete stability when the aid is stationary.

Lower chassis



Smaller castors and redesigned legs mean a lower chassis for better access.





A VERSATILE STAND AND TRANSFER AID

A better alternative to a wheelchair

The enhanced standing aid concept has become well established in a wide range of care situations in elderly care and healthcare facilities because it:

- offers a more suitable and dignified alternative to a wheelchair for more mobile residents
- promotes dignity and independence, as optimum participation in activities is possible
- enables good, reassuring eye contact between resident and carer, unlike a wheelchair
- provides transport to the toilet and washbasin, and can support other activities of daily living

Sara Steady encourages patients and residents to fully participate in transfers, thus improving circulation, breathing, digestion and muscle tone. When at the toilet, the resident/patient is encouraged to stand, supported by *Sara Steady*. The resident's/patient's independence and dignity is actively promoted. When required, the carer can assist with adjustment of clothing in an easy and safe way.

FOR QUICK, EASY AND SAFE TRANSFERS



Approach patient, open seat flaps, open chassis legs and place the patient's feet on the footboard.



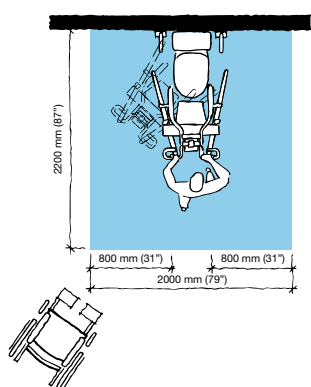
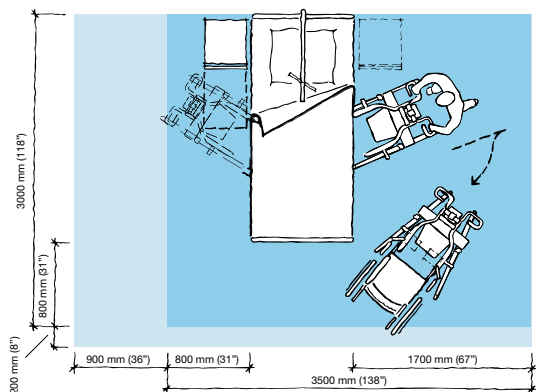
Position *Sara Steady*; apply castor brakes; raise patient with the help of the integrated handlebar; swivel seat flaps into position.



Release the brakes and proceed with the transfer.

PRODUCT SPECIFICATIONS

Space Requirement



- Blue area shows the minimum working area required for the staff to be able to use the mechanical aids in an ergonomic way from one side.
- Light blue area shows required extension of working area to facilitate activities from either side to provide adequate access for the resident, mechanical aid and assisting carer.

Mobility Gallery

Suitable for Albert, Barbara and Carl.



- A Albert**, who is ambulatory and independent.
 - B Barbara**, who can support herself to some degree.
 - C Carl**, who sits in a wheelchair and has little capacity to support himself.
- Please contact ArjoHuntleigh for further information on the Mobility Gallery™.

Product Information

Weight	29.4 kg (64.82 lbs)
Max. safe working	182 kg (400 lbs)
Total length	905 mm (32 3/4")
Total height	1051 mm (41 1/2")
Height of chassis	100 mm (4")
Internal width legs open	729 mm (28 3/4")

Low friction castors, the rear two with brakes

Lifter – Protection class IPX4

Approvals

The product are in compliance with current legislation and applicable product standards

Only ArjoHuntleigh designed parts, which are designed specifically for the purpose, should be used on the equipment and products supplied by ArjoHuntleigh. As our policy is one of continuous development we reserve the right to modify designs and specifications without prior notice.

® and ™ are trademarks of the ArjoHuntleigh group of companies.
© ArjoHuntleigh, 2011.

Accessories

Compatible ArjoHuntleigh Slings and Flites (disposable slings).

Using Sara Steady

The ArjoHuntleigh *Mobility Gallery* provides a general indication of the mobility categories that can benefit from using *Sara Steady*. However, support aid selection should always be based on an individual clinical assessment by a doctor, registered nurse, certified clinician or similar.



GETINGE GROUP is a leading global provider of products and systems that contribute to quality enhancement and cost efficiency within healthcare and life sciences. We operate under the three brands of **ArjoHuntleigh**, **GETINGE** and **MAQUET**. **ArjoHuntleigh** focuses on patient mobility and wound management solutions. **GETINGE** provides solutions for infection control within healthcare and contamination prevention within life sciences. **MAQUET** specializes in solutions, therapies and products for surgical interventions and intensive care.