

Technical Specifications

Lift Dimensions

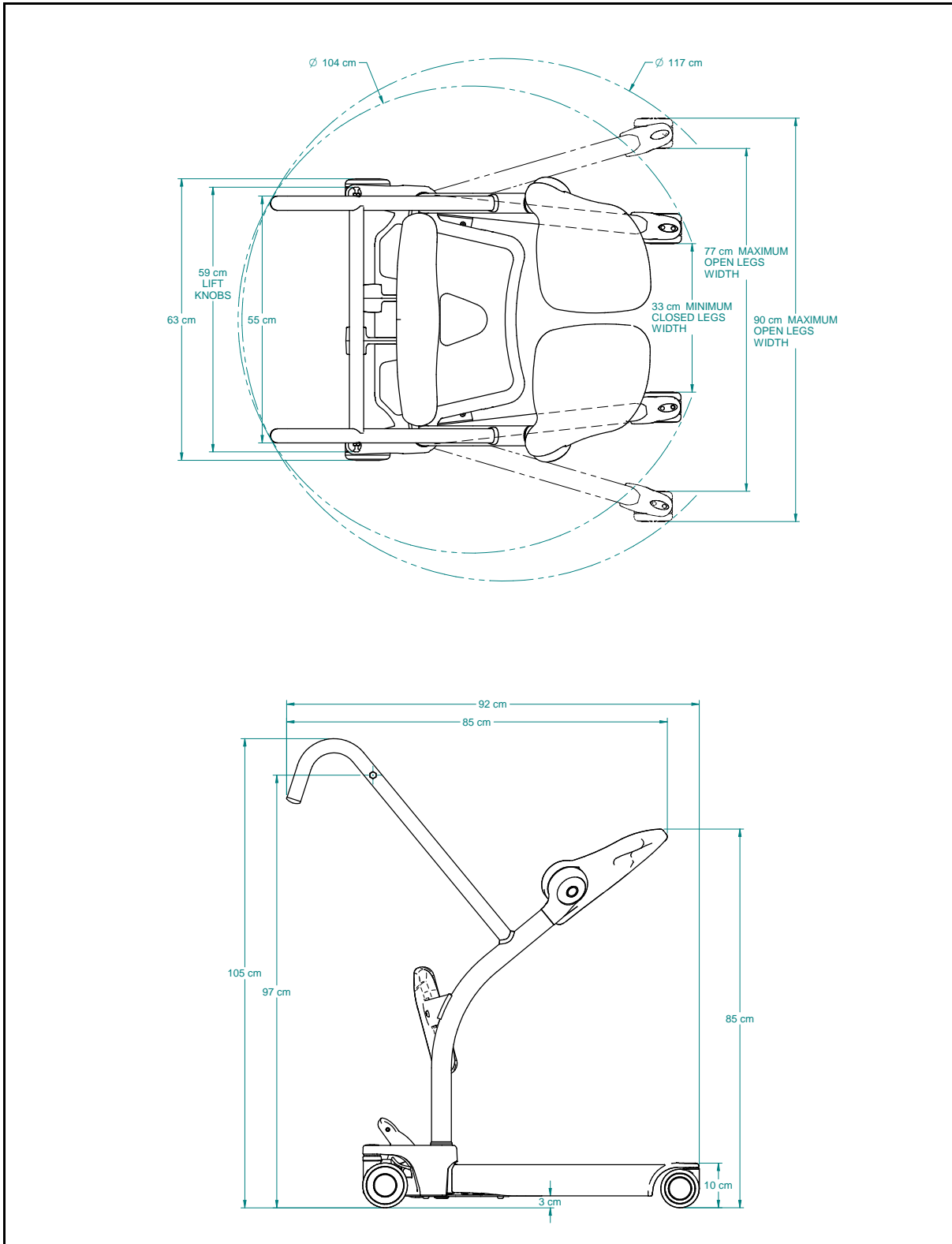


Fig. 20