

# ARJOHUNTLEIGH

GETINGE GROUP

## Walker

INSTRUCTIONS FOR USE



CE

## **WARNING**

**To avoid injury, always read this Instruction for Use and accompanying documents before using the product.**



**Mandatory to read the Instructions for Use**

Design Policy and Copyright

® and ™ are trademarks belonging to the ArjoHuntleigh group of companies.

© ArjoHuntleigh AB 2014.

As our policy is one of continuous improvement, we reserve the right to modify designs without prior notice. The content of this publication may not be copied either whole or in part without the consent of ArjoHuntleigh AB.

# Contents

---

Foreword.....	4
Intended Use.....	5
Safety Instructions .....	6
Preparations.....	7
Parts Designation.....	8
Product Description/Functions .....	10
Using the Walker.....	13
Cleaning and Disinfection Instructions.....	15
Battery Instructions .....	17
Troubleshooting .....	18
Care and Preventive Maintenance.....	19
Technical Specifications .....	22
Overall Dimensions.....	24
Labels .....	26
Electromagnetic Compatibility.....	28
Parts and Accessories .....	30
ArjoHuntleigh Addresses .....	Last Page

# Foreword

---

## Thank you for Purchasing ArjoHuntleigh Equipment

Your *Walker* aid is a part of a series of quality products designed especially for hospitals, nursing homes and other health care use.

Please contact us if you have any questions about the operation or maintenance of your ArjoHuntleigh equipment.

## Please Read this Instructions for Use Thoroughly!

Please read this *Instructions for Use (IFU)* in its entirety before using your *Walker* aid. Information in this *IFU* is crucial to the proper operation and maintenance of the equipment, will help protect your product, and make sure that the equipment performs to your satisfaction. Some of the information in this *IFU* is important for your safety and must be read and understood to help prevent possible injury.

Unauthorized modifications on any ArjoHuntleigh equipment may affect its safety. ArjoHuntleigh will not be held responsible for any accidents, incidents or lack of performance that occur as a result of any unauthorized modification to its products.

## Service and Support

A service routine has to be done on your *Walker* aid to ensure the safety and operating procedures of your product. See section *Care and Preventive Maintenance on page 19*.

If you require further information, please contact ArjoHuntleigh for comprehensive support and service programs to maximize the long-term safety, reliability and value of the product.

Contact ArjoHuntleigh for replacement parts. The contact information is found on the last page of this *IFU*.

## Definitions in this IFU

### WARNING

Means:  
Safety warning. Failure to understand and obey this warning may result in injury to you or to others.

### CAUTION

Means:  
Failure to follow these instructions may cause damage to all or parts of the system or equipment.

### NOTE

Means:  
This is important information for the correct use of this system or equipment.



Means:  
The name and address of the manufacturer.

# Intended Use

---

**This equipment is intended for therapeutic raising and walking training of adult residents under the supervision of trained caregivers with the adequate knowledge of the care environment, its common practises and procedures, and in accordance with the guidelines in *Instructions for Use*.**

**The Walker should only be used for the purpose specified in its Instructions for Use. Any other use is prohibited.**

## Resident Assessment

We recommend that facilities establish regular assessment routines. Caregivers should assess each resident according to the following criteria prior to use:

- The resident's weight should not exceed 136 kg / 300 lbs.
- The resident must be able to stand and sit in an upright position, normally defined as active
- The resident must understand and be able to respond to instructions to stand and stay seated in an upright position.
- The resident's length must be in the range of 140 and 195 cm (4 feet 7 inches - 6 feet 4 inches).

If the resident does not meet these criteria an alternative equipment/system shall be used.

## Installation and Service Requirements

The expected lifetime of this equipment, unless otherwise stated, is ten (10) years, subject to preventive maintenance being carried out in accordance with the instructions for care and maintenance found in the *Instructions for Use*.

# Safety Instructions

---

## **WARNING**

To avoid explosion or fire, never use the equipment in oxygen rich environment, in presence of heat source or flammable anaesthetic gases.

## **WARNING**

To avoid injury, make sure that the patient is not left unattended at any time.

## **WARNING**

To prevent cross-contamination, always follow the disinfection instructions in this IFU.

## **WARNING**

To avoid entrapment, make sure to keep the patient's hair, arms and feet close to the body and use designated grab supports during any movement.

## **WARNING**

To avoid the device from tipping and the patient from falling, do not use the equipment on floor with recessed drains, holes or slopes exceeding a ratio of 1:50 (1.15°).

## **WARNING**

To avoid falling, make sure that the patient is positioned correctly and that the safety belt is being used, properly fastened and tightened.

## **WARNING**

To avoid falling during transfer, always make sure that the brakes are applied on all equipment being used.

## **WARNING**

To avoid falling during patient transfer, always make sure that the brakes on the equipment receiving the patient are applied.

## **WARNING**

To avoid the device in use from tipping, do not raise or lower other equipment close to it and be aware of stationary object when lowering.

## **WARNING**

To avoid entrapment of the patient's or caregiver's legs or feet, make sure that they are kept clear of all obstacles.

# Preparations

## Actions Before First Use

### (9 steps)

- 1 Visually check the package for damage.
- 2 The package should be recycled according to local regulations.
- 3 Check that all parts of the product are supplied. Compare with *Parts Designation on page 8*. If any part is missing or damaged - do NOT use the product!
- 4 Unpack the battery charger. Select and attach the adapter correctly suited to your power outlet. See *Battery Charger IFU*.
- 5 Charge the battery for 24 h.
- 6 Disinfect the product according to *Cleaning and Disinfection Instructions on page 15*.
- 7 Prepare an area, dry with good ventilation for storage of the lift.
- 8 Choose a designated area where the *IFU* should be kept, accessible at all times for the users.
- 9 If you have any questions, please contact your local ArjoHuntleigh representative for support and service. The telephone number appears on the last page of this *IFU*.

## Actions Before Every Use

### (6 steps)

- 1 Check that all parts of the lift are in place.
- 2 Carry out a thorough inspection of the sling for damage.
- 3 If any part is missing or damaged - do NOT use the lift!

### 4 **WARNING**

**To prevent cross-contamination, always follow the disinfection instructions in this IFU.**

The lift shall be disinfected and wiped dry before every use to prevent cross-contamination.

- 5 Make sure the battery is fully charged.
- 6 If you have any questions, please contact your local ArjoHuntleigh representative for support

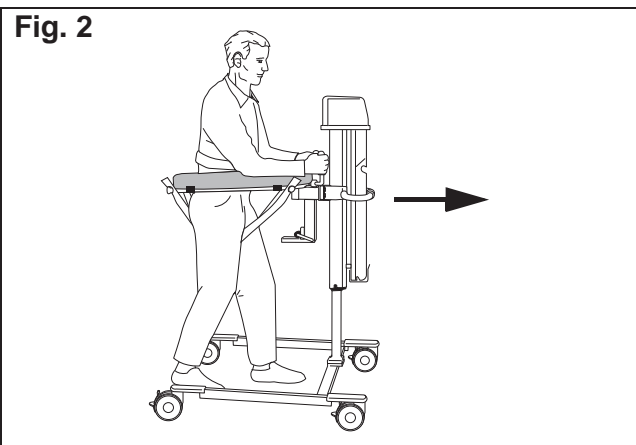
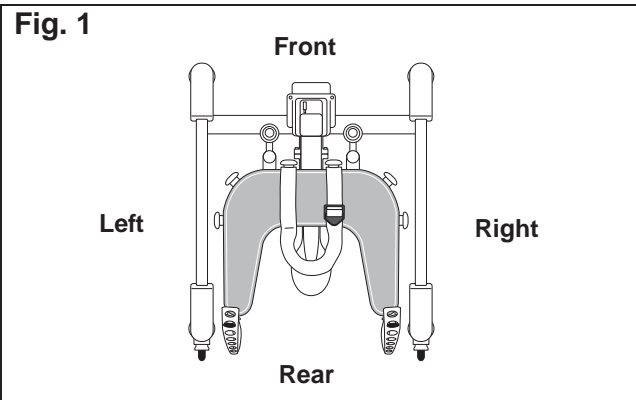
and service. The telephone number appears on the last page of this *IFU*.

## Walker Directions

The directions *right*, *left*, *rear* and *front* given in this *IFU* refers to the directions in below illustration.



(See Fig. 1)

Avoid to move the lift backwards when using it together with a patient. See illustration below for correct walking direction, (See Fig. 2).



# Parts Designation

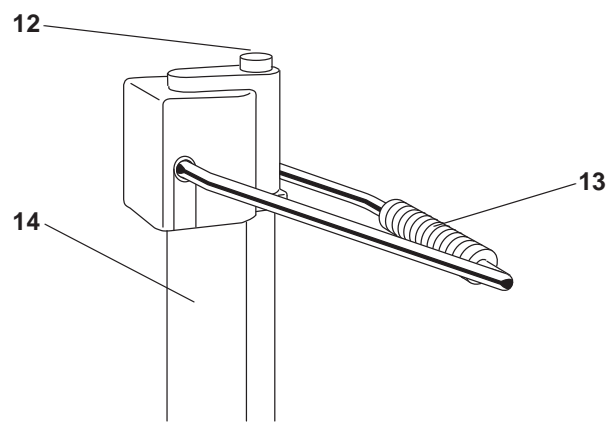
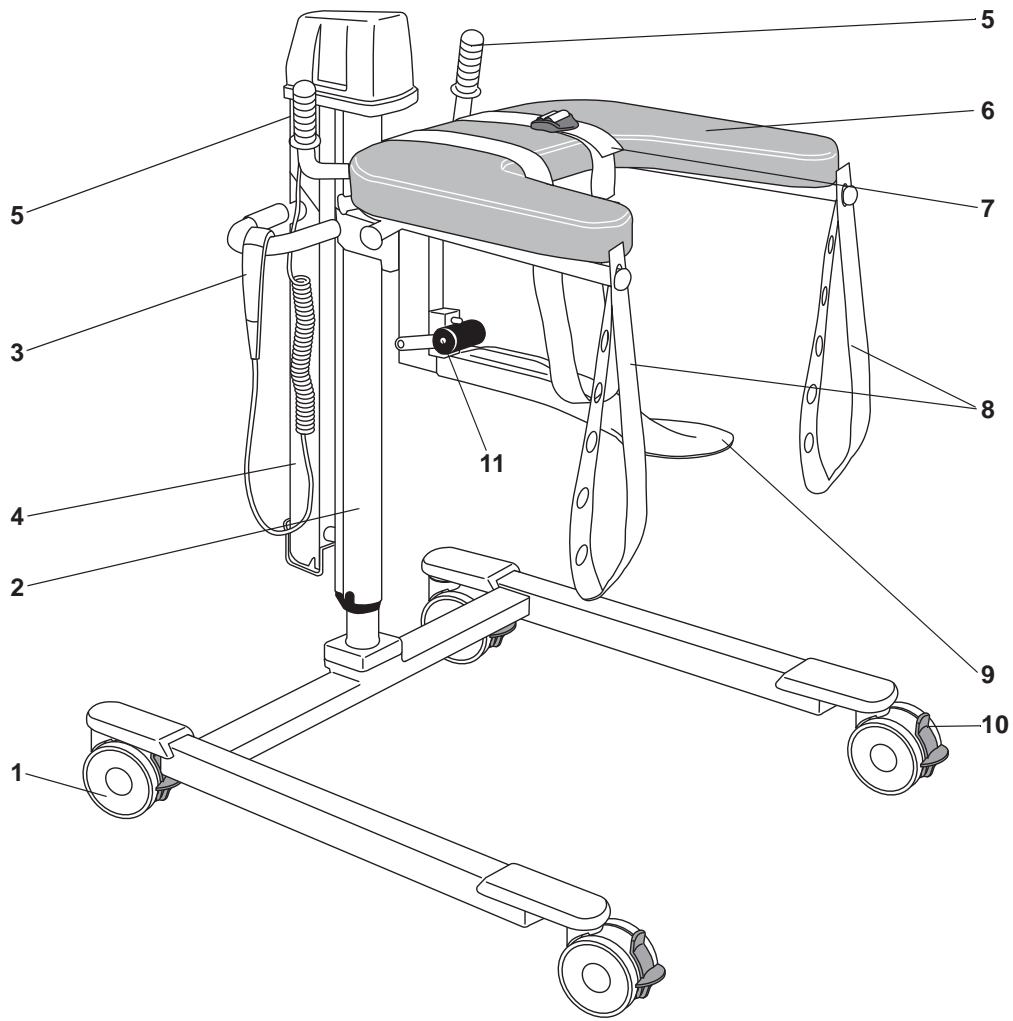
---

- 1 Castor with brake (all four castors)
- 2 Pillar (Electrical)
- 3 Hand control (Electrical)
- 4 Battery (Electrical)
- 5 Hand grip
- 6 Support table 
- 7 Safety belt
- 8 Suspension straps
- 9 Spade seat 
- 10 Straight steering device
- 11 Quick coupling
- 12 Lowering button (Hydraulic)
- 13 Hand pump for raising (Hydraulic)
- 14 Pillar (Hydraulic)



Type B. Applied part: protection against electric shock in accordance with EN 60601-1.





# Product Description/Functions

Fig. 1

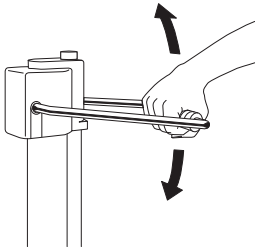


Fig. 2

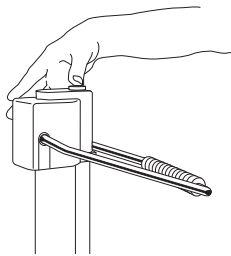


Fig. 3

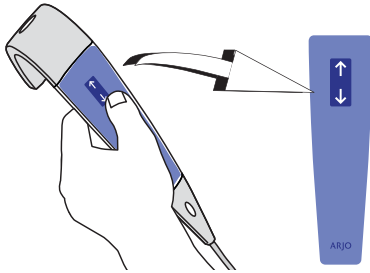


Fig. 4

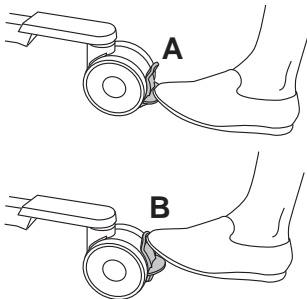


Fig. 5

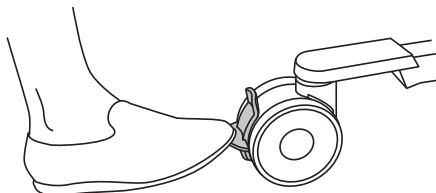


Fig. 6

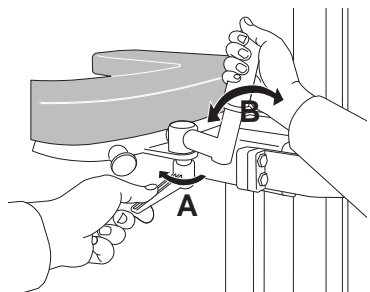
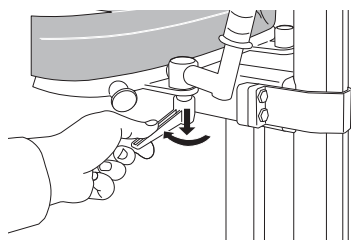


Fig. 7



## Manual Raising and Lowering (2 steps)

- 1 The support table is raised by using the hand pump. Pump evenly, using the full range of movement. (See Fig. 1)
- 2 The support table is lowered by pressing the Lowering button. (See Fig. 2)

## Electric Raising and Lowering (2 steps)

- 1 Unhook the hand control from its holder. (See Fig. 3)
- 2 To raise the support table, press the Up arrow button on the hand control. To lower the support table press the Down arrow button.

## Castor Brake (2 steps)

- 1 Apply brakes on the castors by pressing the lock tabs (A) with your foot. (See Fig. 4)
- 2 The castors brakes are released by pressing down the centre tabs (B).

## Straight Steering (1 steps)

To facilitate a transfer, for example in a corridor, the rear castors on the *Walker* aid are fitted with straight steering devices.

- 1 Press the green tab with your foot to activate straight steering. (See Fig. 5)

## Hand Grips (2 steps)

The two hand grips are ergonomically designed to provide a firm grip for the patient.

- 1 Loosen the locking lever (A) and adjust the hand grips (B) in both position and angle. Fasten the locking lever. (See Fig. 6)
- 2 Place the locking lever (A) in desired position by pushing it down while turning it. (See Fig. 7)

## Safety Belt and Suspension Straps

As standard equipment the *Walker* aid has an individually adjustable safety belt and two suspension straps for body weight reduction and added patient security.

### Safety Belt (4 steps)

Depending on what fits the patient the most, the safety belt can be straight across or crossed over the support table.

- 1 The safety belt is attached to the knob on the front of the support table (A). (See Fig. 1 & Fig. 2)
- 2 Pass the safety belt over the support table, behind the patient's back and over the support table again.
- 3 Attach to the other knob on the front of the support table (B).
- 4 Make sure the padding is placed in a convenient position. Adjust safety belt by releasing the velcro in the padding.

Fig. 1

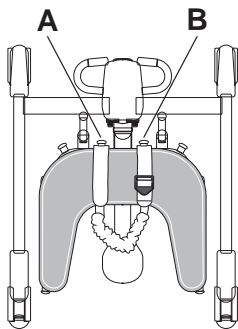


Fig. 2

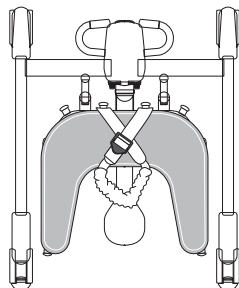


Fig. 3

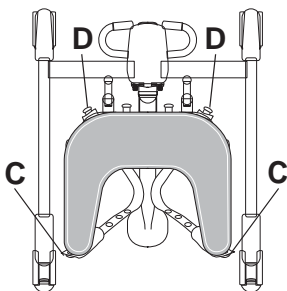
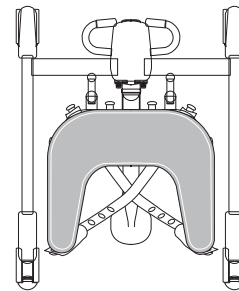


Fig. 4



### Suspension Straps, Male Patient (3 steps)

- 1 Attach the suspension strap to the knob (C). (See Fig. 3)

#### NOTE

The suspension strap is attached with its adjustment holes on the rear knobs (C), behind the patient.

- 2 Pass it under the patient and attach it to the knob in front (D).
- 3 Repeat on the other side of the *Walker* aid.

### Suspension Straps, Female Patient (3 steps)

- 1 Attach the suspension strap to the knob (C). (See Fig. 4)

#### NOTE

The suspension strap is attached with its adjustment holes on the rear knobs (C), behind the patient.

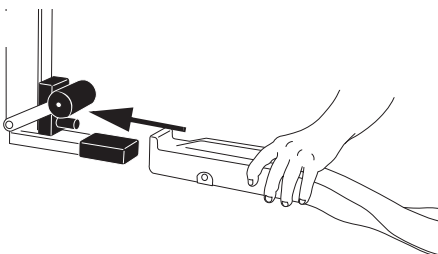
- 2 Pass it under the patient and attach it to the knob on the other side (D).
- 3 Repeat on the other side of the *Walker* aid.

## Spade Seat (3 steps)

The spade seat is used when lifting the patient.

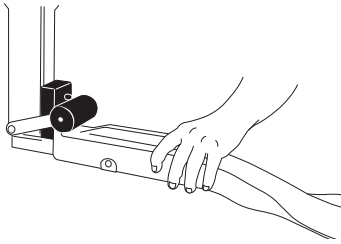
- 1 Attach the spade seat to the support table by gently pushing it into the quick coupling. (See Fig. 5)

Fig. 5

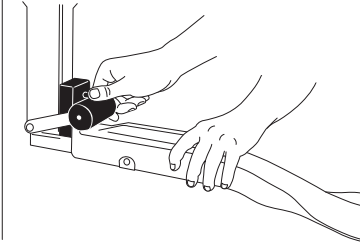


*Continue with the steps on the next page.*

**Fig. 6**

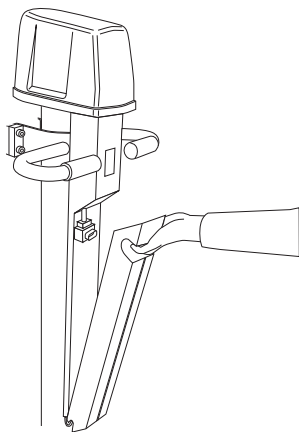


**Fig. 7**



- 2 Before lifting the patient, make sure the spade is securely supported and locked by the quick coupling. **(See Fig. 6)**
- 3 Loosen the spade seat by pressing the ejector and lift the quick coupling upwards, holding the spade seat with the other hand. **(See Fig. 7)**

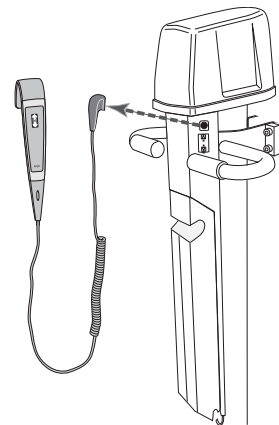
**Fig. 1**



### **Emergency Stop**

If, for any reason, the *Walker* aid does not respond to the control buttons, you can quickly stop lift movement by pressing the button on the battery and disconnect it. **(See Fig. 1)**

**Fig. 2**



### **Emergency High/Low**

#### **(4 steps)**

If, for any reason, the *Walker* aid does not respond to the control buttons, raise or lower the *Walker* aid by using the Emergency High/Low.

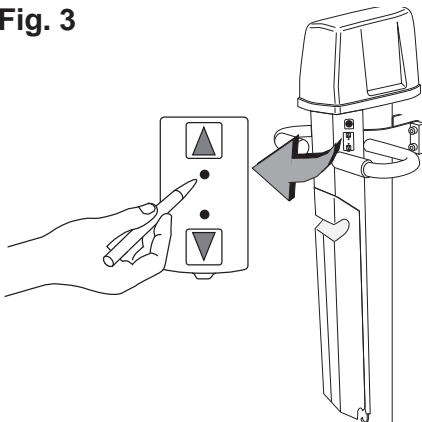
- 1 Unplug the hand control. **(See Fig. 2)**
- 2 Control the *Walker* aid by pressing a blunt, thin object into the holes at the panel. (i.e. a pen). **(See Fig. 3)**

#### **CAUTION**

**Do not use an object with sharp tip when pressing in the holes.**

- 3 Press it into the hole next to the “up arrow” in order to raise the *Walker* aid.
- 4 Press it into the hole next to the “down arrow” in order to lower the *Walker* aid.

**Fig. 3**



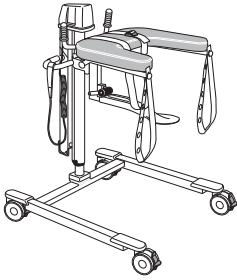
#### **NOTE**

A continuous beeping sound is heard during action “up” and “down”.

Contact your local ArjoHuntleigh representative before re-using the *Walker* aid.

# Using the Walker

Fig. 1

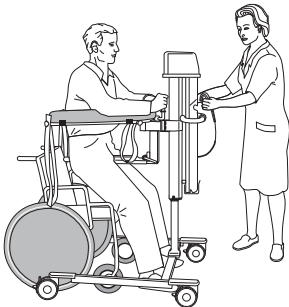


## From Wheelchair or Bed Without Heavy Lifting

### (19 steps)

- 1 Attach the spade seat and the safety belts to the *Walker* aid. (Let the belts hang on the knob from where you attach it.) (See Fig. 1)
- 2 Brake the wheels on the wheelchair/bed.
- 3 Make sure the patient is sitting safely in the wheelchair or on the bedside.
- 4 Move the *Walker* aid so the spade seat is next to the wheelchair seat/bedside.
- 5 Adjust the spade seat height so it is in level with the wheelchair seat /bedside.
- 6 If possible, move the spade seat gently in over the wheelchair/ bed.
- 7 Apply brakes on all castors of the *Walker* aid.
- 8 Let the patient grip the hand grips. If necessary, adjust these.
- 9 Move the patient over onto the spade seat. (See Fig. 2)

Fig. 2



#### NOTE

Be carefully while transferring patient to/from the spade or attaching the suspension straps. Make sure the patient's skin is not pinched by the spade seat or suspension straps

- 10 Attach and adjust the safety belt.
- 11 Raise the patient to suitable height.

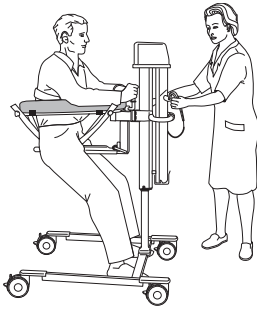
#### WARNING

**To avoid the device in use from tipping, do not raise or lower other equipment close to it and be aware of stationary object when lowering.**

- 12 Release the castor brakes and pull the *Walker* aid out from the wheelchair/bed.
- 13 Apply brakes on all castors of the *Walker* aid.

*Continue with the steps on the next page.*

**Fig. 3**

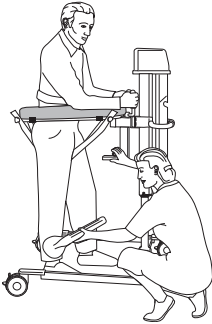


14 Attach and adjust the suspension straps. (See Fig. 3)

**NOTE**

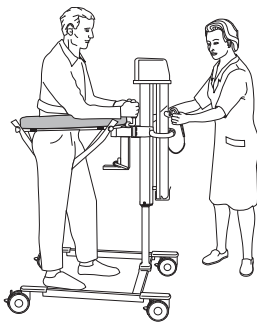
The suspension strap is attached with its adjustment holes on the rear knobs, behind the patient.

**Fig. 4**



15 Loosen the spade seat. (See Fig. 4)

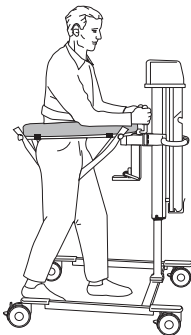
**Fig. 5**



16 Adjust the height of the *Walker* aid. The height adjustment permits variable body weight reduction. (See Fig. 5)

17 Readjust the hand grips.

**Fig. 6**



18 The training may start. (See Fig. 6)

19 If desired, apply straight steering.

**WARNING**

To avoid entrapment, make sure to keep the patient's hair, arms and feet close to the body and use designated grab supports during any movement.

# Cleaning and Disinfection Instructions


---

## ArjoHuntleigh Disinfectant

*For optimal performance use only ArjoHuntleigh Disinfectant.*

For any questions regarding the proper disinfection procedure or for liquid product ordering information (see *Parts and Accessories on page 30*), contact ArjoHuntleigh Customer Service. Disinfection will minimize cross-contamination and removing tissue residue.

**WARNING**



To avoid eye and skin damage, always use protective glasses and gloves. If contact occurs rinse with plenty of water. If eyes or skin becomes irritated, contact a physician. Always read the IFU and the Material Safety Data Sheet (MSDS) of the disinfectant.

**CAUTION**

To avoid damage on the equipment only use ArjoHuntleigh branded disinfectants.

**WARNING**

To prevent cross-contamination, always follow the disinfection instructions in this IFU.

**WARNING**

To avoid eye or skin irritation, never disinfect in the presence of a patient.

## Accessories for Disinfecting Walker

- Protective gloves
- Protective glasses
- Spray bottle with disinfectant
- Spray bottle with water
- Cloth – wet and dry
- Disposable towels
- Soft bristled brush

## Always Follow these 11 Steps for Proper Disinfection

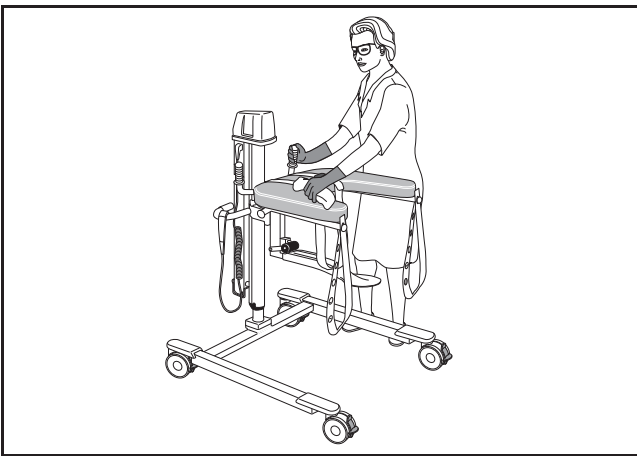
If *ArjoHuntleigh Shower Panels* is used, see respective *IFU*.

### NOTE

Remove any removable parts, such as battery and suspension straps, and clean these separately according to the cleaning instructions.

### Removing visual residue (Step 1 of 11)

- 1 Clean the *Walker* aid and its removable parts from visible residue using a cloth soaked in water, alternatively spray with water and wipe with a clean cloth. Start from top and move downwards.



### Cleaning (Step 2 to 5 of 11)

- 2 Spray disinfectant on the *Walker* aid and its removed parts.
- 3 Use a brush or a cloth if needed for cleaning to remove any deposits.
- 4 Use a new wet cloth to wipe off all traces of disinfectant or if more suitable by spraying water and wipe with a clean cloth.
- 5 Repeat previous step until all of the disinfectant has been removed.

### Disinfection (Step 6 to 11 of 11)

- 6 Spray disinfectant on the *Walker* aid and its removed parts.
- 7 Allow appropriate contact time of the disinfectant according to the instructions on the bottle.
- 8 Use a new wet cloth to wipe off all traces of disinfectant or if more suitable by spraying water and wipe with a clean cloth.

- 9 If disinfectant cannot be removed, spray water on the affected part and wipe off with disposable towels.
- 10 Repeat previous step until all of the disinfectant has been removed.
- 11 Let all parts dry.



# Battery Instructions

---

## WARNING

**To avoid bodily injury, do NOT crush, puncture, open, dismantle or otherwise mechanically interfere with the battery.**

- **Should the battery casing crack and cause contents to come in contact with skin or clothing, rinse immediately with plenty of water.**
- **If contents come in contact with the eyes, rinse immediately with plenty of water and seek medical attention.**

**Inhalation of the contents can cause respiratory irritation. Provide fresh air and medical attention.**

- Be careful not to drop the battery.
- Contact the appropriate local authority for advice when disposing batteries.
- Check label on the battery.

## Low Charge Warning

If the battery needs charging a buzzing tone is heard when the lift is activated. At this time, there will be enough battery power to complete the immediate task.

## Storage of Battery

- The battery is delivered charged but we recommend you to recharge the battery when received due to a slow self discharge.
- The battery will slowly self discharge when not used.
- A battery during storage and transport should be in a temperature range of -0° C to +30 °C (32 °F to 86 °F), cooler temperatures will extend its service life.
- For maximum battery performance do not store the battery above 50 °C (122 °F).

## Installation of Charger

*See NDA-X200, Battery Charger IFU.*

## How to Charge the Battery

*See NDA-X200 Battery Charger IFU.*

# Troubleshooting

PROBLEM	ACTION
The lift continues to raise or descend after the hand control button is released.	Activate the red emergency Stop button and pull the battery out - remove the patient from the lift and contact qualified personnel.
The lift does not raise or descend when the hand control button is pressed.	<ul style="list-style-type: none"> <li>• Make sure that the battery is fully engaged in the battery compartment.</li> <li>• Make sure that the hand control connection plug is properly engaged in the socket.</li> <li>• Make sure that the battery is charged.</li> </ul> <div style="border: 1px solid black; padding: 5px; margin: 10px 0;"> <p><b>WARNING</b></p> <p><b>To avoid injury, make sure that the patient is not left unattended at any time.</b></p> </div> <ul style="list-style-type: none"> <li>• Use the emergency lowering to descend the patient, see <i>Emergency High/Low on page 12</i>. Contact qualified personnel as soon as the patient is removed from the lift.</li> </ul>
The lift is hard to manoeuvre during the transfer.	<ul style="list-style-type: none"> <li>• Make sure all brakes are released.</li> <li>• Make sure all castors roll and swivel freely.</li> <li>• If the problem persists, remove the patient from the lift and contact qualified personnel.</li> </ul>
The lift is making abnormal sounds during lifting or transfer.	Remove the patient from the lift and contact qualified personnel.
The lift beeps shortly once every minute when not operated.	Contact qualified personnel.
It is only possible to lower the lift.	The lifting device of this equipment is equipped with a safety nut. If the safety nut will be activated it will only be possible to lower the equipment into a safe position. In case of this scenario stop using the equipment and contact qualified personnel for repair.

# Care and Preventive Maintenance

The *Walker* aid is subject to wear and tear, and the following actions must be performed when specified to make sure the product remains within its original manufacturing specification.

## WARNING

To avoid malfunction resulting in injury, make sure to conduct regular inspections and follow the recommended maintenance schedule. In some cases due to heavy use of the product and exposure to aggressive environment more frequent inspections should be carried out. Local regulations and standards may be more stringent than the recommended maintenance schedule.

### Preventive Maintenance Schedule: Walker aid

CAREGIVER OBLIGATIONS Action/Check	Every DAY	Every WEEK	Every YEAR	Every 2nd YEAR
Cleaning/Disinfection	X			
Visually check all exposed parts		X		
Visually check mechanical attachments		X		
Visually check battery and battery charger (Electrical version)		X		
Check hand control and cable (Electrical version)		X		
Check the safety belt and suspension straps		X		
Perform functionality test		X		
Check and clean castors		X		
Yearly checks by qualified personnel only			X	
Replace safety belt and suspension strap				X

## WARNING

To avoid injury to both the patient and the caregiver, never modify the equipment or use incompatible parts.

Fig. 1

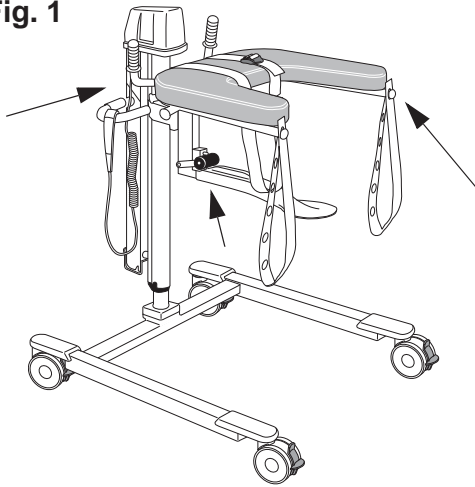


Fig. 2

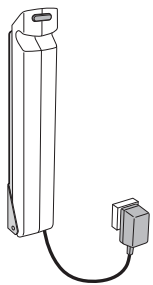


Fig. 3

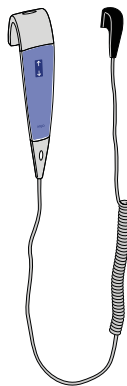
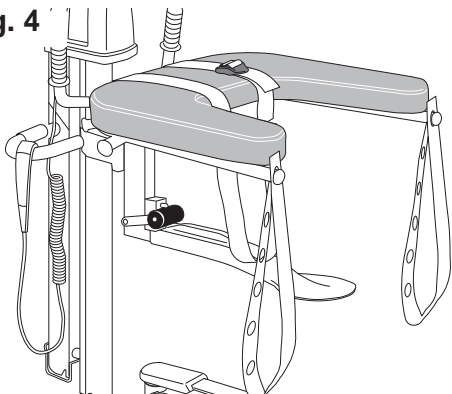


Fig. 4



## Caregiver Obligations

Caregiver obligations shall be carried out by personnel with sufficient the *Walker* aid knowledge following the instructions in this *IFU*.

### Daily

- **Disinfect:** The *Walker* aid has to be cleaned immediately after every use. ArjoHuntleigh disinfectant should be used in recommended concentrations labelled on the disinfectant bottle.

### CAUTION

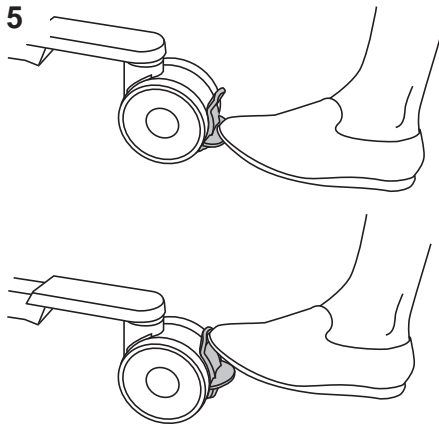
**Do not use petroleum based solvents, trichlorethylene etc., since they may damage the plastic.**

### Every week

- **Visually check all exposed parts:** Examine the *Walker* aid for damage. Visually check all exposed parts, especially where personal contact is made by either the patient or caregiver.
- Make sure no cracks, sharp edges or unhygienic areas that could cause the patient or user injury.
- Replace damaged parts.
- **Visually check mechanical attachments:** Visual check that all screws and nuts are tightened and that there are no gaps. (See Fig. 1)
- Check the hydraulic system is working smoothly (raising and lowering).
- **Visually check the battery and the battery charger:** Check the cable condition as well. Withdraw and replace immediately if damaged. (Electric version) (See Fig. 2)
- **Check hand control and cable:** Visually check the condition of the hand control and its cable. If found cut or damaged, replace. (Electric version) (See Fig. 3)
- **Visually check the safety belt and suspension straps:** Check the complete length for fraying, cuts, crack, tears, that no inner fabric is showing and that no other damage is visible. If the safety belt or suspension strap is found damaged, replace it. (See Fig. 4)
- **Perform functionality test:** Test up/down motion by pressing up/down. Test emergency High/Low.

*Continue with the steps on the next page.*

**Fig. 5**



- **Check and clean the castors:** Make sure the castors are properly fixed and are rolling and swivelling freely (the function can be affected by soap, hair, dust and chemicals from floor cleaning). (See Fig. 5)
- If the function is disturbed, clean the castors with water.
- Visual check that the castors are tightened to the chassis.

### **Yearly Checks by Qualified Personnel Only**

The *Walker* aid must be serviced once a year in accordance with the *Maintenance and Repair Manual*.

Contact your local ArjoHuntleigh service representative to sign for a service agreement.


#### **WARNING**


**To avoid injury and/or unsafe product, the maintenance activities must be carried out at the correct frequency by qualified personnel using correct tools, parts and knowledge of procedures. Qualified personnel must have documented training in maintenance of this device.**

#### **NOTE**

All Caregiver Obligations are to be checked when performing the Qualified Personnel Service. For details, see separate service instructions.

# Technical Specifications

<b>Walker Hydraulic</b>	
Safe Working Load (SWL) (Max patient weight)	136 kg (300 lbs.)
Weight	44.6 kg (97 lbs.)
Medical equipment	Type 

<b>Walker Electric</b>	
Lifting capacity	136 kg (300 lbs.)
Weight	53 kg (117 lbs.)
Battery weight	4.4 kg (9.7 lbs.)
Medical equipment	Type 
Power Source	24V DC
Protection class	IP X4
Fuse	F1 F10AL 250 V
Insulation Class	Class II Equipment
Operating forces of controls	2.7 N
Sound level	65 dB

<b>Transport, Storage and Operation (Applies to all Walker models except charges)</b>	
Temperature range	-20 °C to +70 °C (-4 °F to +158 °F) Transport -20 °C to +70 °C (-4 °F to +158 °F) Storage +10 °C to +40 °C (+50 °F to +104 °F) Operation
Relative humidity range	10% - 80% Transport and Storage 15% - 100% Operation
Atmospheric pressure range	500 - 1100 hPa Transport and Storage 800 - 1060 hPa Operation
Mode of operation	ED maximum 10%; Maximum 1 minute ON; Minimum 9 minutes OFF
Start force	70 N
Rolling force	20 N
Push button force	<5 N
Brake force	105 N
Lever force	20 N

<b>Environmental</b>	
Pollution degree	2

<b>Recycling (The device should be recycled according to national regulations)</b>	
Battery	Sealed lead-acid. Recyclable. Not for disposal. Environment danger
Package	Wood and corrugated cardboard, recyclable
The Lift and Charger	Electric, steel and plastic parts shall be separated and recycled according to WEEE.

**WARNING**  
**To avoid injury, always follow the allowed combinations listed in this IFU. No other combinations are allowed**

<b>Allowed Combinations</b>	
<b>Power</b>	<b>Model</b>
Battery 24 V	NDA0100-03
Battery charger	NDA1200-EU, NDA2200-EU, NDA4200-US, NDA6200-AU

<b>Disposal of Walker</b>	
Lift	The device is marked with the WEEE symbol to indicate that it is electronic equipment covered by the Directive 2012/19/EU on waste electrical and electronic equipment. In European countries the crossed out wheeled-bin WEEE symbol reminds you that all the electrical and electronic products, batteries and accumulators must be taken to separate collection at end of their working life. This requirement applies in the European Union. Do not dispose these products as unsorted municipal waste. You can return your device and accessories to ArjoHuntleigh or you can contact your local authorities for advice on disposal.

# Overall Dimensions

## Walker Electric

### mm (inches)

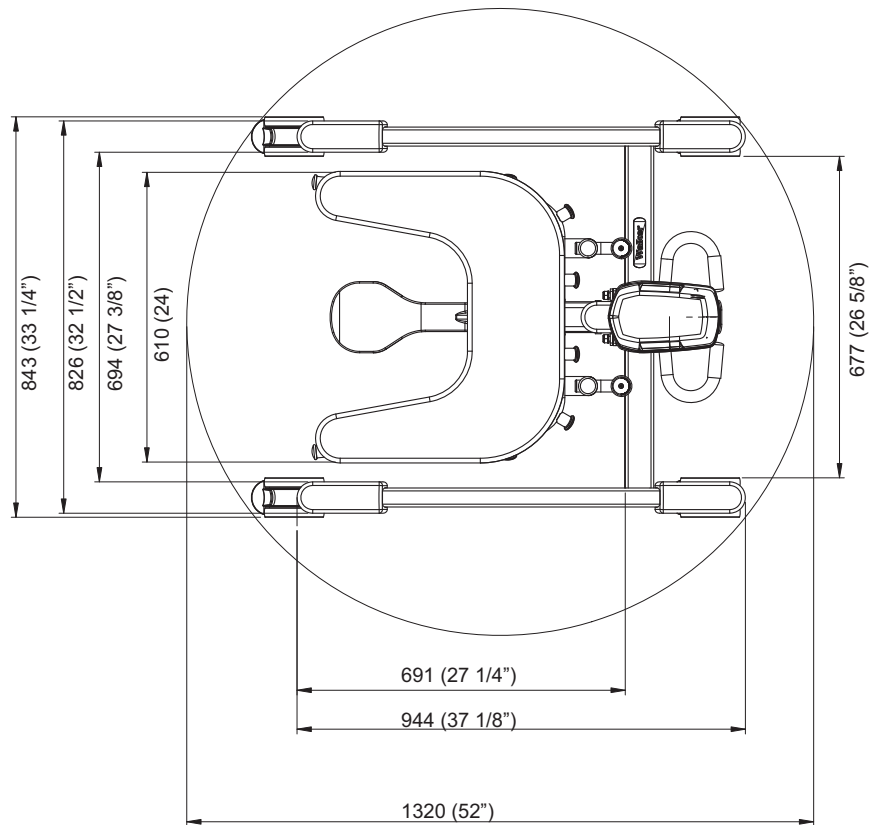
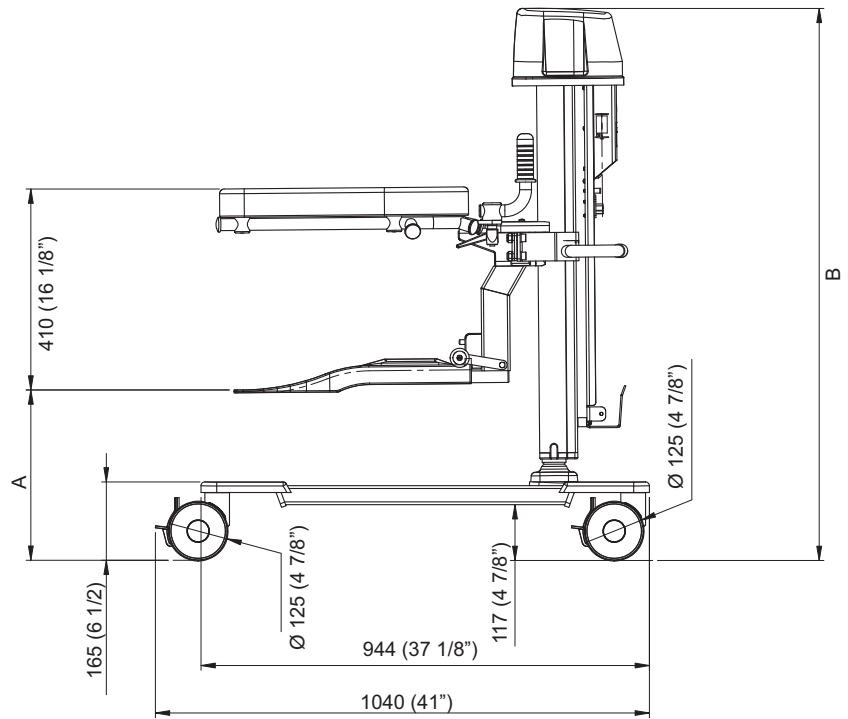
A minimum 400 (15 3/4") gives

B minimum 1165 (45 7/8")

A maximum 965 (38") gives

B maximum 1730 (68 1/8")

Stroke maximum 565 (22 1/4")





# Walker Hydraulic

## mm (inches)

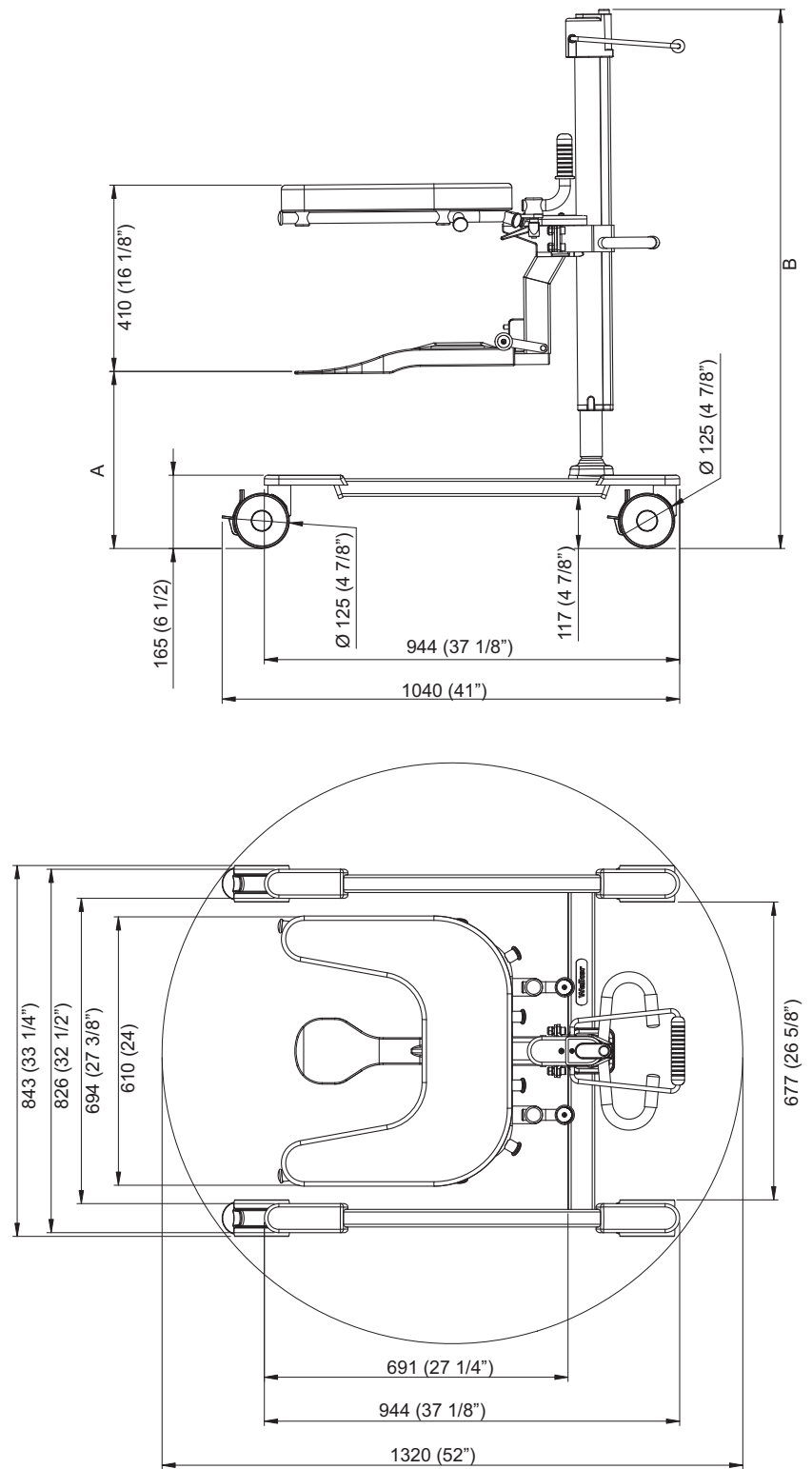
**A** minimum. 350 (14 1/8") gives

**B** minimum 1140 (44 7/8")

**A** maximum 850 (33 7/8") gives

**B** maximum 1640 (64 5/8")

Stroke maximum 500 (19 5/8")


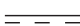
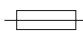





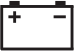





# Labels

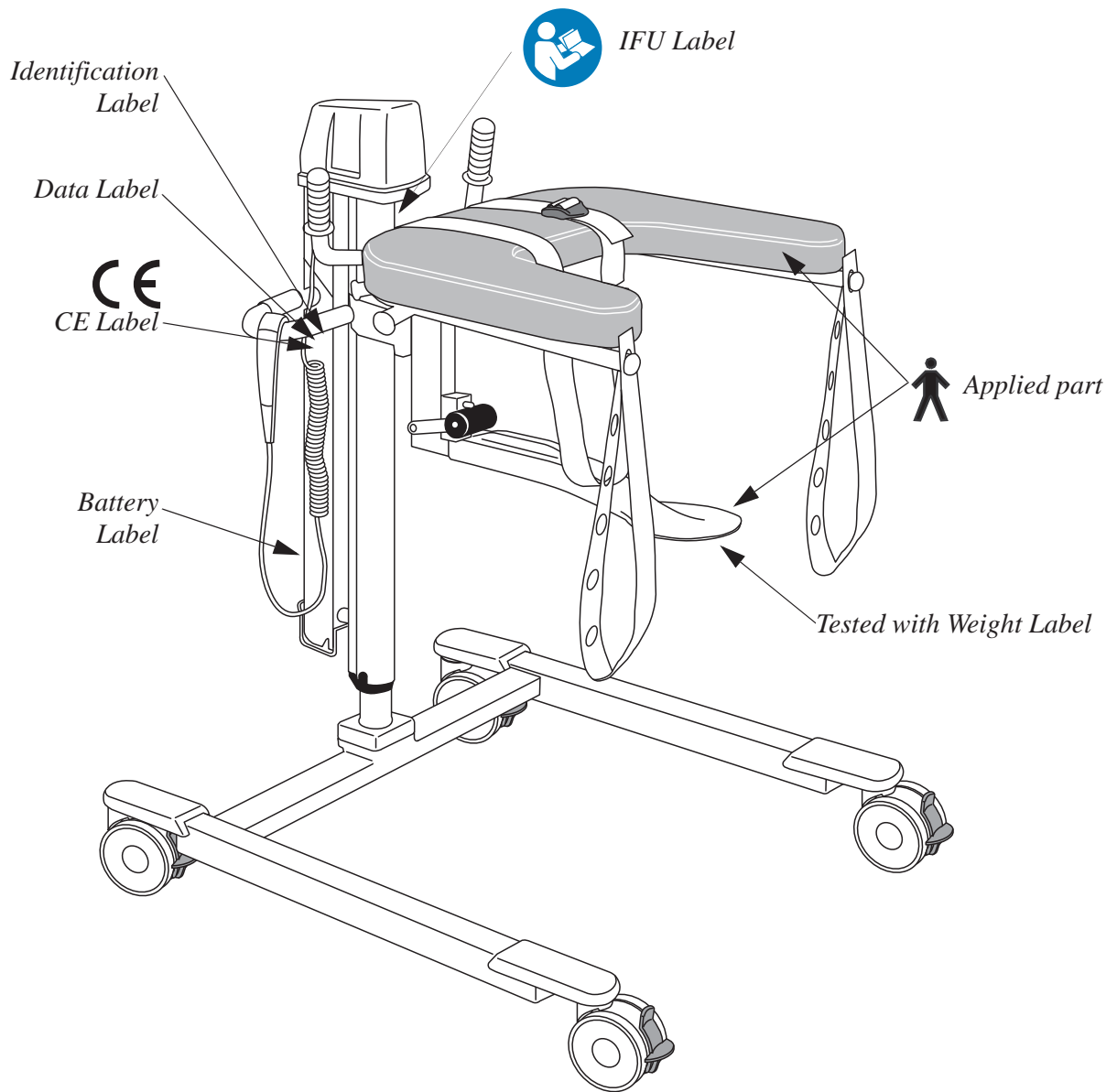
## Label Explanation

Battery Label	States safety and environmental information for the battery.
Identification Label	States the product identification; serial number, year and month of manufacturing.  For example, 1402XXXXX where “14” states manufacturing year, “02” states manufacturing month and “XXXXX” states serial number.
Data Label	States technical performance and requirements, e.g. the Input Power, Input Voltage and maximum Patient Weight etc.
Tested with Weight Label	States the date and the weight that was used when validating the product.

## Symbol Explanation

SWL	Safe Working Load (max total load)
	Lifting stroke
	Supply voltage
VA	Max power
	Fuse
IP X4	Protection class – Protection against splashing water.
ED max 10%	Mode of operation for Hi/Lo function: ED maximum 10%; Maximum 1 minute ON; Minimum 9 minutes OFF
	Type B, applied part: protection against electrical shock in accordance with IEC 60601-1.
NDA0100 24V 4Ah	Product no. of the battery

	Read the <i>IFU</i> before use.
	Separate electrical and electronic components for recycling in accordance with the European Directive 2012/19/EU (WEEE)
	A battery is the power source of this equipment.
	Separate electrical and electronic components for recycling in accordance with the European Directive 2012/19/EU (WEEE)
	Recyclable
	CE marking in accordance with the Medical Devices Directive 93/42/EEC.
	Classified by Underwriters Laboratories Inc. with respect to electric shock, fire, mechanical hazards and other specified hazards only in accordance with: UL 60 601-1 and CAN/CSA - C 22.2 No 601.1-M90.
	TÜV marking. The lift has been safety tested according to: EN/ISO 10535 and EN/ISO 12182



# Electromagnetic Compatibility

---

Medical electrical equipment needs special precautions regarding EMC (Electromagnetic compatibility) and needs to be used according to the EMC information below.

The *Walker* aid is intended for the use in the electromagnetic environment specified below. The customer or the user of the *Walker* aid should assure that it is used in such an environment.


## WARNING

**Stacking or placing other electrical equipment next to this device is not recommended, it can interfere with the equipment's operation and safety. Portable and mobile radio-frequency (RF) communications equipment can interfere with this equipment operation and safety.**

## WARNING

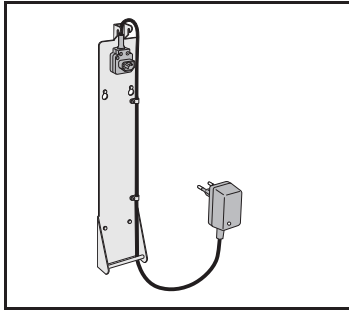
**The equipment may cause radio interference or may disrupt the operation of nearby equipment. It may be necessary to take action, such as reorienting, relocating the equipment or shielding the location.**

Guidance and Manufacturer's Declaration – Electromagnetic Emissions		
Emissions Test	Compliance	Electromagnetic Environment – Guidance
RF emissions CISPR 11	Group 1	The <i>Walker</i> aid uses RF energy only for its internal function. Therefore, its RF emissions are very low and are not likely to cause any interference in nearby electronic equipment.
RF emissions CISPR 11	Class B	The <i>Walker</i> aid is suitable for use in all establishments, those directly connected to the public low-voltage power supply network that supplies buildings used for domestic purposes.

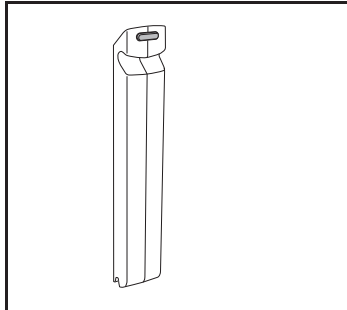
<b>Guidance and Manufacturer's Declaration – Electromagnetic Immunity</b>			
<b>Immunity Test</b>	<b>IEC 60601 test level</b>	<b>Compliance</b>	<b>Electromagnetic Environment – Guidance</b>
Electrostatic discharge (ESD) IEC 61000-4-2	6 kV Contact 8 kV air	6 kV Contact 8 kV air	Floors should be wood, concrete or ceramic tile. If floors are covered with synthetic material, the relative humidity should be at least 30%.
Radiated RF IEC 61000-4-3	3 Vrms 80 MHz to 2.5 GHz	10 Vrms 80 MHz to 2.5 GHz	<p>Portable and mobile RF communications equipment should be used no closer to any part of the <i>Walker</i> aid, including cables, than 1 meter if the transmitters output power rating exceeds 1 W.</p> <p>Field strengths from fixed RF transmitters, as determined by an electromagnetic site survey,</p> <p>a) Should be less than the compliance level in each frequency range.</p> <p>b) Interference may occur in the vicinity of equipment marked with the following symbol: </p>
<p>a) Field strengths from fixed transmitters, such as base stations for radio (cellular/cordless) telephones and land mobile radios, amateur radio, AM and FM radio broadcast cannot be predicted theoretically with accuracy. To assess the electromagnetic environment due to fixed RF transmitters, an electromagnetic site survey should be considered. If the measured field strengths in the location in which the <i>Walker</i> aid is used exceeds the applicable RF compliance level above, the <i>Walker</i> aid should be observed to verify normal operation. If abnormal performance is observed, additional measures may be necessary.</p> <p>b) Over the frequency range 150 kHz to 80 MHz, field strengths should be less than 1 V/m.</p>			
<p><b>Recommended separation distance between portable and mobile RF communications equipment and the Walker aid.</b></p> <p>The <i>Walker</i> aid is intended for use in an electromagnetic environment in which radiated RF disturbance are controlled. The customer or the user of the <i>Walker</i> aid can help prevent electromagnetic interference by maintaining a minimum distance between portable and mobile RF communications equipment (transmitters) and the <i>Walker</i> aid by maintaining a distance of not less than 1 meter to any part of the <i>Walker</i> aid, including cables, if the transmitters output power rating exceeds 1 W.</p>			

# Parts and Accessories

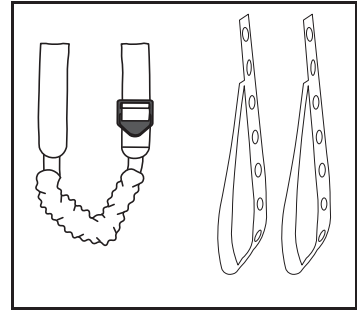
---



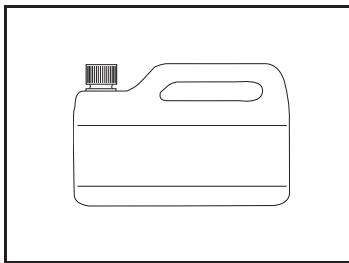
Battery Charger  
NDAX000-XX



Extra battery  
NDA 0100



GCA0010-031  
Safety belt, padding and  
suspension straps



For disinfectant contact  
your local representative