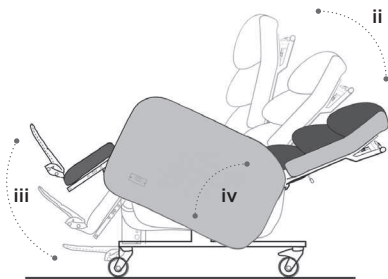
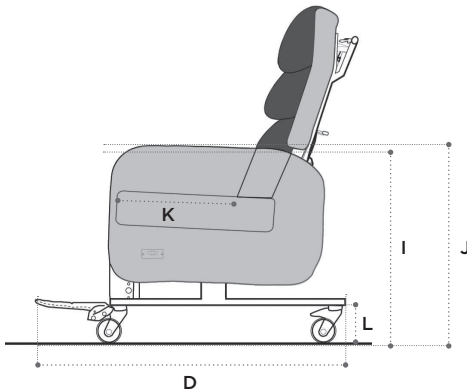
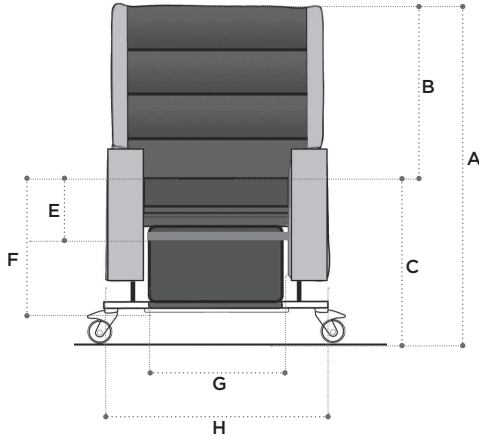


BARIATRIC SORRENTO™

TECHNICAL SPECIFICATION



Basic dimensions

A	Overall height	1300mm/51in
B	Back height	750mm/30in
C	Seat height	600mm/24in
D	Overall Length	1300mm/51in

Seat to footplate height adjustments

E	High	310mm/12in from seat
F	Low	520mm/20.5in from seat

Available seat and overall widths

G (Seat width)	H (Overall width)
550mm/22in	885mm/35in
600mm/24in	885mm/35in
650mm/26in	885mm/35in
700mm/28in	935mm/37in
750mm/30in	985mm/39in
800mm/32in	1035mm/41in
850mm/34in	1085mm/43in

Arm height options

I	Medium	740mm/29in
J	High	765mm/30in

Seat depth

K	410 - 660mm/16-26in
---	---------------------

Clearance height

L	140mm/6in
---	-----------

Recline and tilt angles

ii Back angle recline

90° - 130°

40° range

iii Leg rest angle

90° - 125°

35° range

iv Tilt in space

From 5° forward, or anterior, tilt to 30° backward tilt.

Chair weight unloaded is 120 Kg/264 lb/18.89 Stone.
Chair user weight limit is 294 Kg/650 lb/46 Stone.