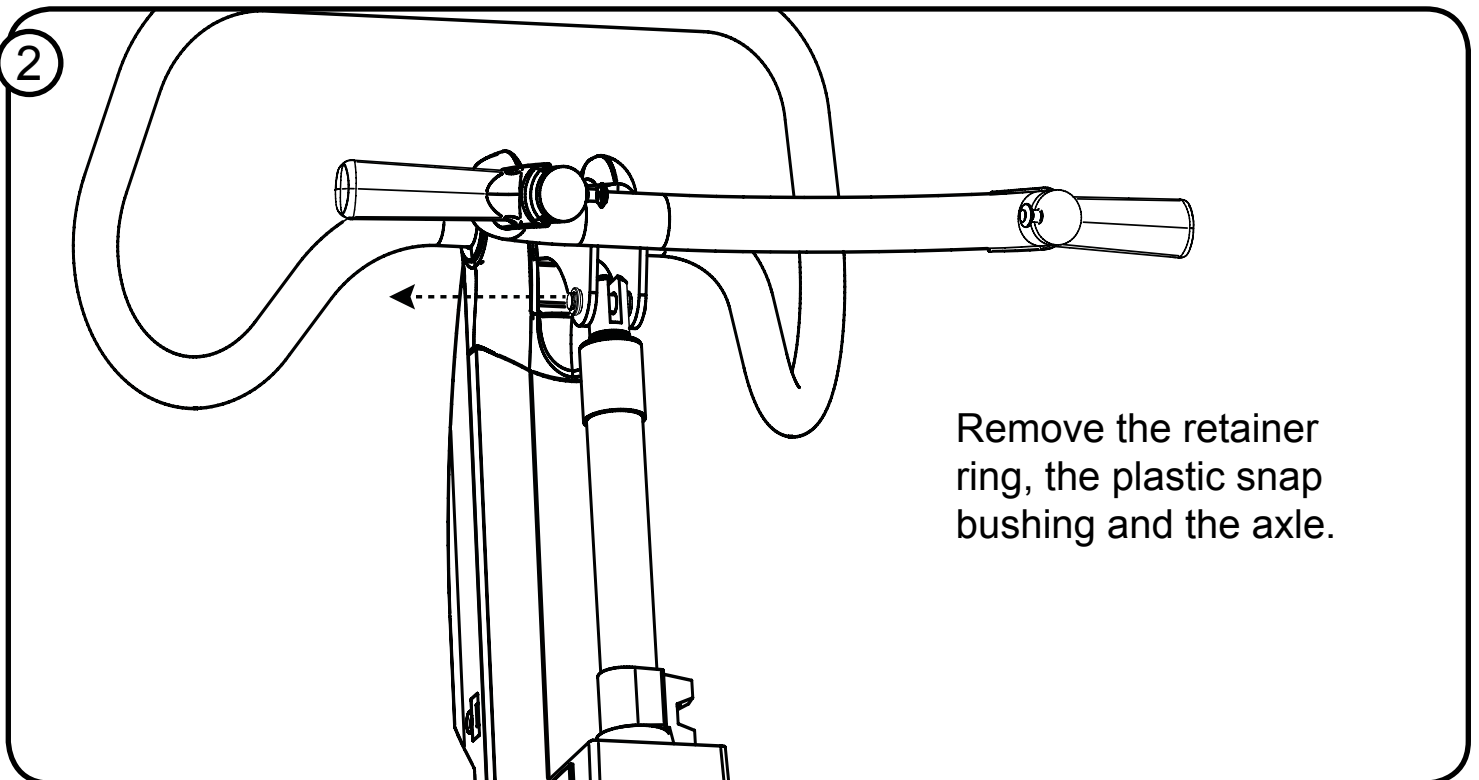
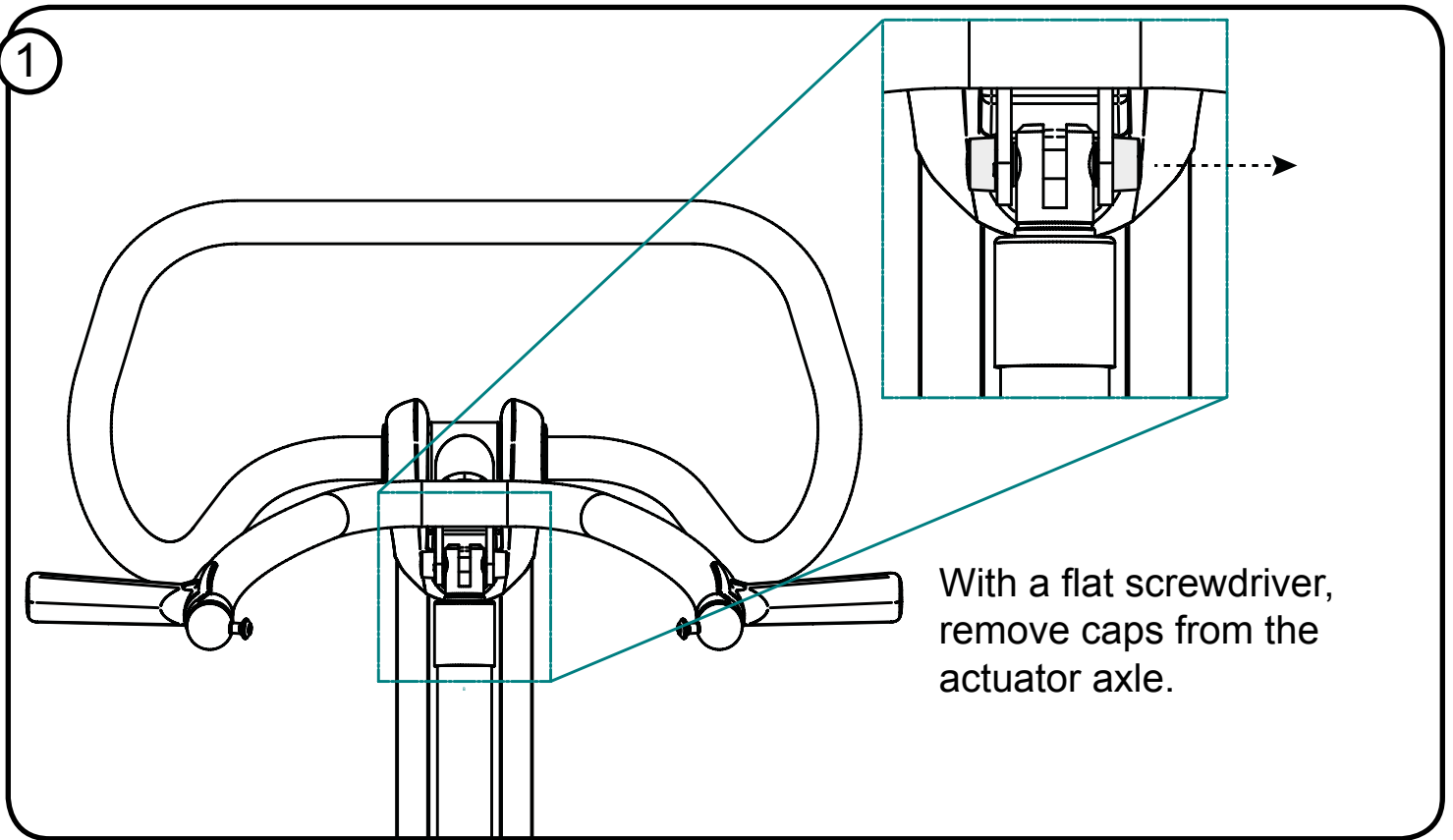


# Sara Flex Central Hook

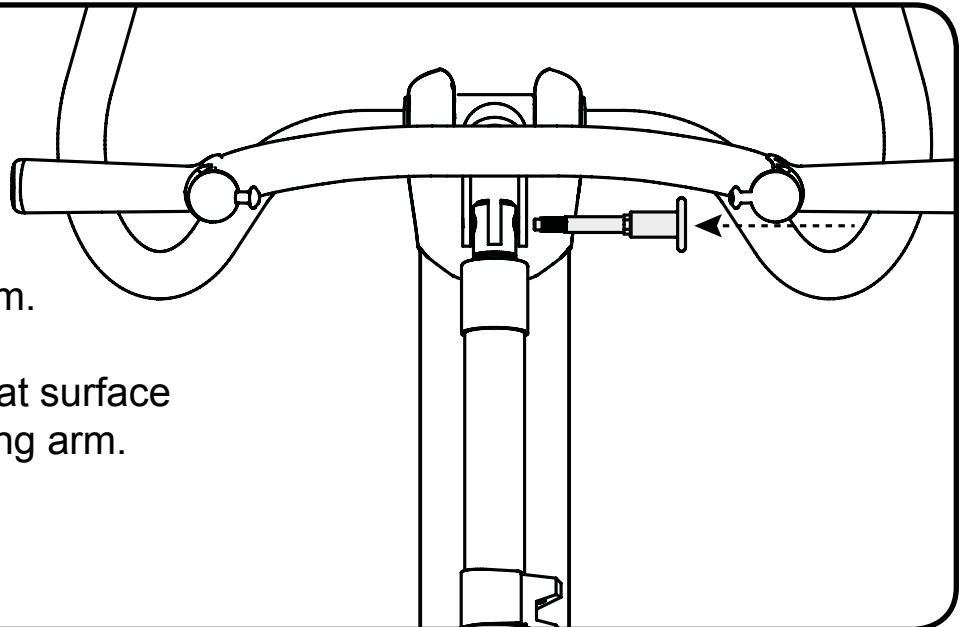
KIT no. 700-27041



3

Insert the first part of the central hook through the lifting and actuator arm.

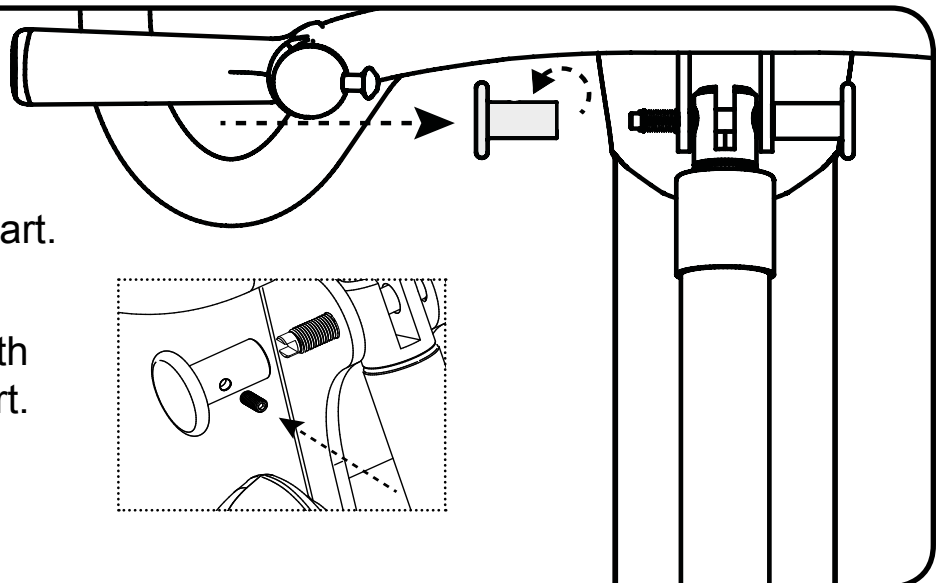
Align the central hook's flat surface with the shape on the lifting arm.



4

Screw in the second part to the central hook's first part.

Align the first part's slot with the hole on the second part.



5

Secure the second part by fixing the set screw into the central hook at 10 Nm with Loctite 243.

The set screw must be fully screwed into the central hook.

