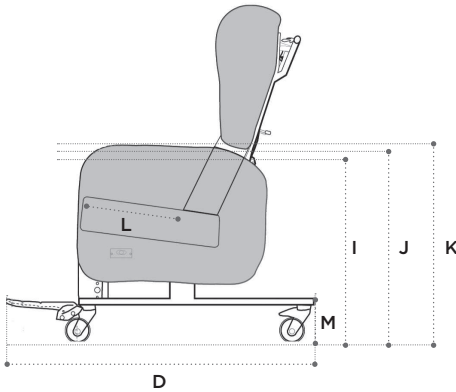
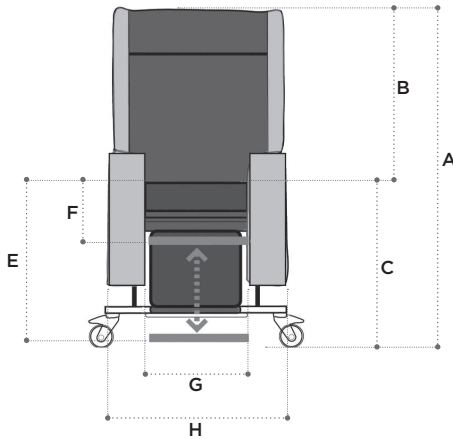


SORRENTO™

TECHNICAL SPECIFICATION



Basic dimensions

A	Overall height	1320mm/52in
B	Back height	750mm/30in
C	Seat height	600mm/24in
D	Overall Length	1200mm/47in

Footplate height adjustments

E	High	300mm/12in from seat
F	Low	510mm/20in from seat

Available seat and overall widths

G (Seat width)	H (Overall width)
350mm/14in*	640mm/25in
400mm/16in	640mm/25in
450mm/18in	670mm/26in
500mm/20in	720mm/28in
550mm/22in	770mm/30in
600mm/24in	820mm/32in

* This seat width is achieved using a 400mm/16in seat and a set of 25mm/1in padded arm covers.

Arm height options

I	Low	715mm/28in
J	Medium	740mm/29in
K	High	765mm/30in

Seat depth

L	See page 9
----------	------------

Clearance Height

M	130mm/5in
----------	-----------

Recline and tilt angles

ii Back angle recline

90° - 130°
40° range

iii Leg rest angle

90° - 125°
35° range

iv Tilt in space

From 5° forward, or anterior, tilt to 30° or 45° backward tilt (dependent on chair model).

Chair weight unloaded is 62 Kg/136.68 lb/9.7 Stone.
Chair user weight limit is 159 Kg/364 lb/25 Stone