



This manual has been prepared for the owners and operators of the ARMEDICA™ AM-BA Series Hi-Lo Treatment Tables. It contains installation instructions, precautionary instructions and maintenance procedures for the following model numbers:

**AM-BA150, AM-BA200, AM-BA250,
AM-BA300, AM-BA350, AM-BA400,
AM-BA450, AM-BA500, AM-BA550**



ISO 13485
FM 50089

Made in the U.S.A

AM-BA SERIES HI-LO TREATMENT TABLES

*Armedica Treatment Tables are intended to be used as physical therapy supports for patients during clinician attended physical therapy related diagnosis, treatment, and monitoring. The table is equipped with a vertical table height adjustment actuator and casters for mobile transport.
Patients are not to be left unattended.*

INSTALLATION

1. Remove all packaging material from the tables.
2. There is no assembly required on the ARMEDICA™ Treatment Tables.
3. Plug the power cord into a properly grounded 120 Volt AC outlet and follow the procedure outlined in the Precautionary Instructions.
4. The table is equipped with four total lock swivel casters for maximum stability.
5. The motor is equipped with a thermal cutout that protects it from overheating.

OPERATING INSTRUCTIONS

To adjust the height of the ARMEDICA™ Treatment Tables, a foot bar extending the length of the table is used to activate the electric motor assembly. Pressing down on the bar will raise the table. Pulling up on the bar will lower the table.

Duty cycle on/off Int. 1 min./ 9 min.

TABLE SECTION ADJUSTMENTS

The sections of the ARMEDICA™ Treatment Tables are raised by lifting them with both hands. The locking mechanism holds them securely at any angle. To lower a section hold it in one hand and release the locking mechanism by turning the knob with the other.

CAUTION: When lowering any of the table sections, make certain that your hands are placed where they cannot come in contact with the board supports.

CAUTION: When adjusting the sections with the patient on the table, be sure that the patient's weight is not on the section you are going to adjust.

To adjust the center section on the AM-300 and AM-500 the spring-loaded lock must be released before the section can be raised.

CAUTION: When the center section is lowered, make sure that the lock is properly engaged.

To adjust the foot section on the AM-400 and AM-450, rotate the knob to the unlock position.

To adjust the arm rest on the 3 piece head section, use two hands placed on each end and pull out to the side then raise or lower into the up or down position and release.

CAUTION: Make sure the arm rest on the 3 piece head section is locked securely in position before the patient places any weight on it.

PRECAUTIONARY INSTRUCTIONS

1. Read, understand and practice the precautionary instructions in this manual. The AM-BA series treatment table is an adjustable platform to place the patient on for the clinician to diagnose or treat with another modality. Know the limitations and the hazards associated with the ARMEDICA™ Treatment Tables.
2. The table is not intended to be used inside an operating room. There may be a risk of explosion if table is used in the presence of flammable anesthetics.
3. The motor is double insulated for protection from EMI. This equipment has been tested and found to comply with the limits for medical devices to the IEC 60601-1-2: Third edition 2007-03. These limits are designed to provide reasonable protection against harmful interference in a typical medical installation. This equipment generates, uses and can radiate radio frequency energy and, if not installed and used in accordance with the instructions, may cause harmful interference to other devices in the vicinity. However, there is no guarantee that interference will not occur in a particular installation. If this equipment does cause harmful interference to other devices, which can be determined by turning the equipment off and on, the user is encouraged to try to correct the interference by one or more of the following measures:

Reorient or relocate the receiving device.

Increase the separation between the equipment.

Connect the equipment into an outlet on a circuit different from that to which the other device(s) are connected.

Consult the manufacturer or field service technician for assistance.

4. Always make certain all four casters are locked prior to patient use.
5. Always use both hands when changing the angle of any section of the table.
6. Never change the angle of any section when the patient's weight is on that section.
7. Never place your hands or feet nor the patient's hands or feet near any of the working mechanisms of the table when raising or lowering the table.
8. Never leave patient unattended.

MAINTENANCE

The ARMEDICA™ Treatment Tables are equipped with a maintenance free electric motor. The moving parts of the table should have a drop of oil placed on them approximately every six months.

Frequently check to make certain that all hardware (nuts, bolts, etc.) are properly adjusted and securely fastened.

In the event it becomes necessary to replace the activation bar cord or the power cord, make certain that the plug is in properly and the locking tabs on the motor are snapped into place.

The vinyl cover should be cleaned with mild soap and water and the table frame wiped with a dry cloth to remove dust and lint when necessary.

SYMBOLS AND INDICATORS



Attention: Consult accompanying documents.



Type B Equipment: "An adequate degree of protection against electric shock is provided, particularly regarding leakage currents and reliability of the protective earth connection."



The grounding pin located on the power supply cable is for functional use only, and is present for EMI/EMC purposes. The product is Class II equipment and does not rely on this grounding means for safety.

TROUBLE SHOOTING

MOTOR DOESN'T WORK.

- A. Check to see if motor is plugged into receptacle, and the power cord is properly plugged into the motor.
- B. Make sure receptacle is getting power.
- C. Check switch cable running from switch box and make sure it is plugged in properly.
- D. Thermal cutout may have activated. Allow the motor to cool.
- E. In the event there is a failure of the motor, the motor must be returned to Armedica Mfg. Corp. The motor must be serviced by the manufacturer.

MOTOR SPECIFICATIONS

Magnetic Corp., Olney, Illinois 62450 Model
MAX 65-A200415A1001-000. Rated Voltage
and Frequency 120V 60HZ. Current 1.8 Amps.
UL CORD SET 140-355 Duty cycle: on/off Int.
1 min. / 9 min. Micro switch model E13-00K

Transport and Storage

Ambient Temperature: -20 to 70 deg. C
Relative Humidity: 10 to 100%, including
condensation
Atmospheric Pressure: 500hPa to 1030hPa

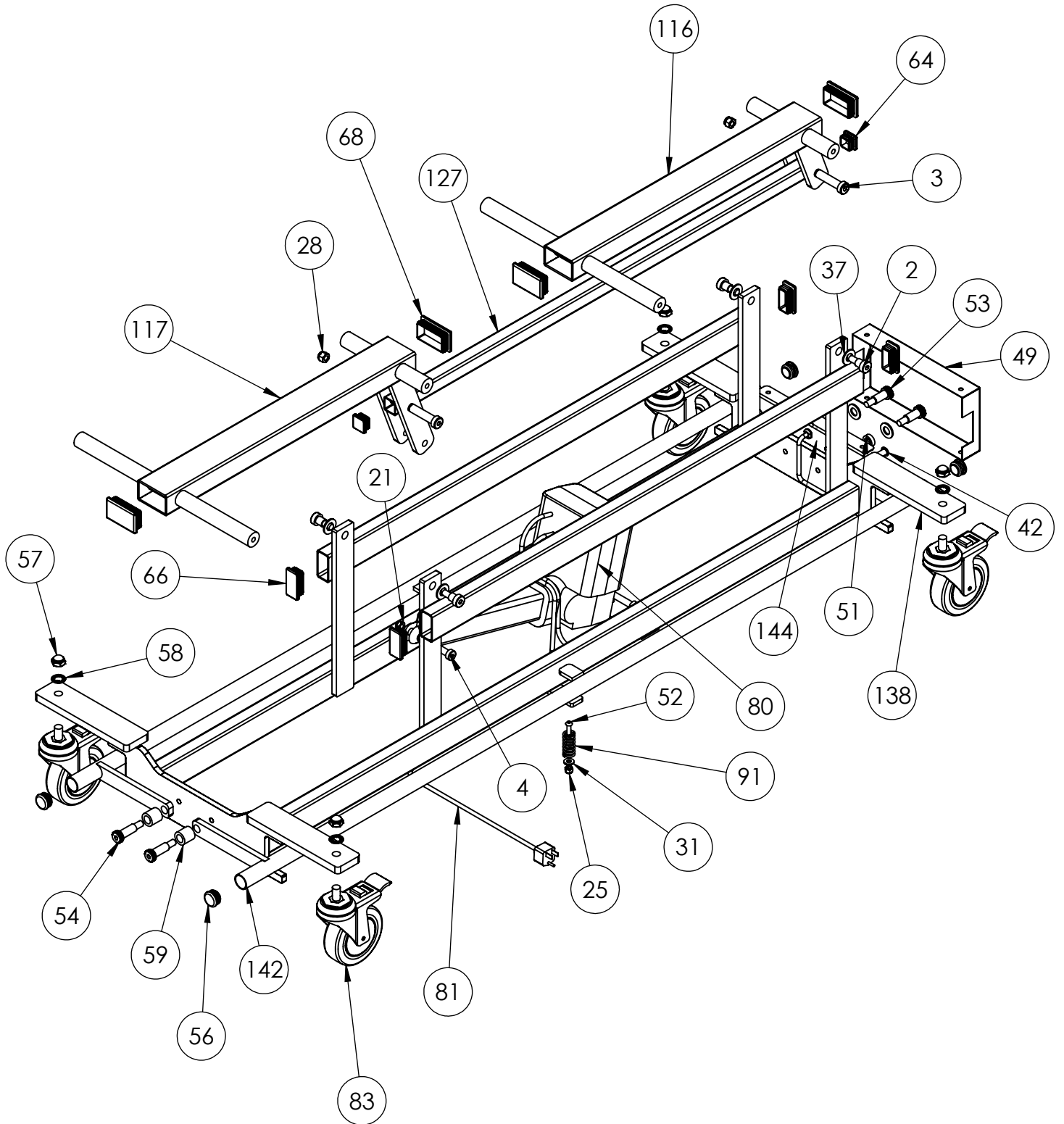
TABLE LIFTING CAPACITY: 400 LBS. (181 KILOGRAMS)

PARTS LIST								
ITEM NO.	PART NO.	DESCRIPTION	QUANTITY					
			150	200	300	350	400	500
				250			450	550
1	02005	BOLT SHLDR 5/16x3/4		2	6	2	4	6
2	02015	BOLT SHLDR 1/2x1/2	8	8	8	8	8	8
3	02020	BOLT SHLDR 1/2x2	2	2	2	2	2	2
4	02026	BOLT SHLDR M10X50	2	2	2	2	2	2
5	02030	BOLT CARRIAGE 1/4-20x2			1			1
6	02035	SCREW BTN HD SOC 5/16-18x1-1/2		2	6	4	4	6
7	02037	SCREW BTN HD SOC 1/4-20x1					1	
8	02042	SCREW BTN HD SOC 1/4-20x1/2						2
9	02044	SCREW HX HD CAP 1/4-20x1-1/4						4
10	02045	SCREW HX HD CAP 1/4-20x1			1		14	1
11	02049	SCREW HX HD CAP 3/8-16x3						
12	02050	SCREW HX HD CAP 5/16-18x1-3/4					2	
13	02054	SCREW HX HD CAP 1/4-20x1-3/4					4	
14	02065	SCREW HX WASHER HD #14x1		10	14	14	4	14
15	02070	SCREW HX WASHER HD #14x1-3/4	6					
16	02073	SCREW FLT HD PHIL 1/4-20x1-1/2					2	
17	02075	SCREW HX WASHER HD #14x2-1/2						
18	02077	NUT NYLOCK 6-32	8	8	8	8	8	8
19	02089	NUT NYLOCK 10-32					1	
20	02090	NUT NYLOCK 1/2-13			1		1	1
21	02092	NUT NYLOCK M8-1.25 HEAVY	2	2	2	2	2	2
22	02095	NUT NYLOCK JAM 1/2-13					2	
23	02097	NUT HX FIN 10-32					2	
24	02099	SCREW PAN HD PHIL 10-32x1-1/4					1	
25	02100	NUT NYLOCK 1/4-20	2	4	10	6	10	10
26	02101	SCREW PAN HD PHIL 10-32x1					1	
27	02105	NUT NYLOCK 5/16-18		2	6	4	4	6
28	02110	NUT NYLOCK 3/8-16	2	2	2	2	2	2
29	02120	NUT HX FIN 1/4-20			4			4
30	02135	NUT HX FIN JAM 1/2-13		2	6	4	4	6
31	02140	WASHER 1/4	2	2	2	2	2	2
32	02143	WASHER FENDER 1/4"IDx1"OD						2
33	02145	WASHER 1/2			1			1
34	02150	WASHER 5/16					4	
35	02160	WASHER NYLON 5/16 ID		4	12	8	8	12
36	02162	SPACER PLAS .33 IDx.565 ODx.56				2	2	
37	02165	WASHER NYLON 1/2 ID	10	10	11	8	11	11
38	02166	SPACER NYLON 1-1/4ODx17/64IDx3/4						
39	02168	SPACER NYLON .980 ODx.352 IDx1/2					4	
40	02170	PIN SPRING 3/16x1		2	6	4	6	6
41	02175	PIN SPRING 1/4x1-1/2						2
42	02176	SCREW BTN HD SOC 3/8-16X3/4	2	2	2	2	2	2
43	02188	BOLT SHLDR 5/16X1-1/4				2		
44	02204	CABLE TIE ADHESIVE MOUNT						
45	02235	CABLE TIE 1/16" X 6"						
46	02449	WIRE WX1015 VIOLET						
47	02450	WIRE WX1015 BLUE						
48	02453	WIRE WX1015 GRAY						
49	02476	PLT CVR FRMD 1-3/8x4-1/2x9-7/8 PNTD	1	1	1	1	1	1

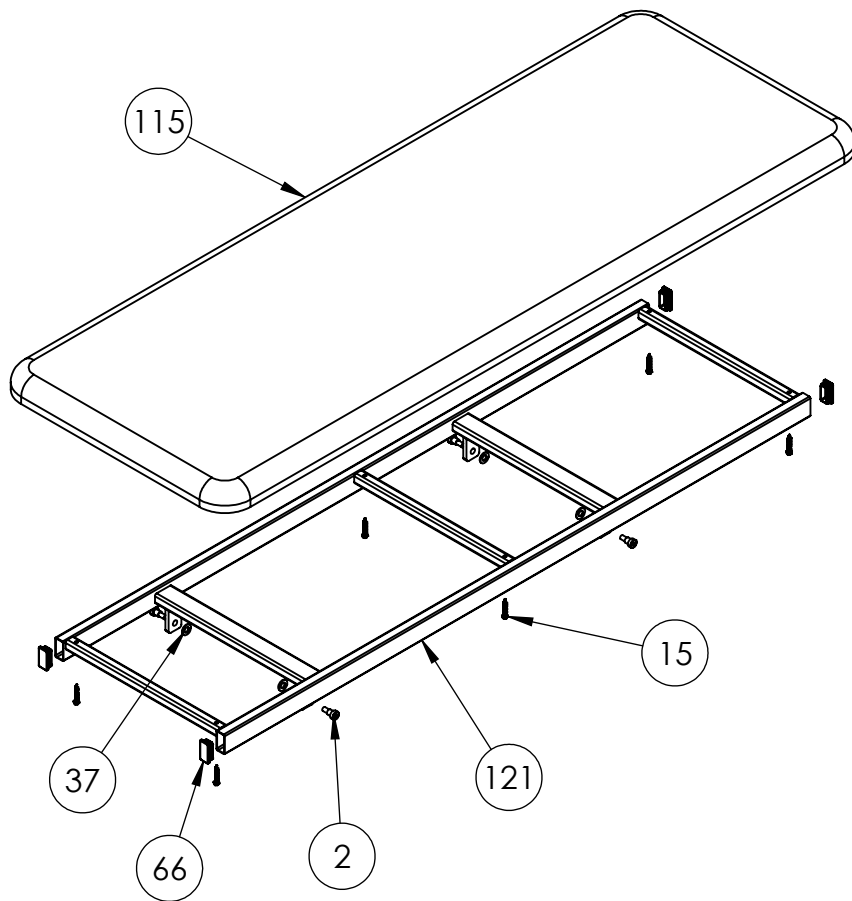
PARTS LIST								
ITEM NO.	PART NO.	DESCRIPTION	QUANTITY					
			150	200	300	350	400	500
				250			450	550
50	02478	PLATE FORMED SWITCH MNT PNTD	1	1	1	1	1	1
51	02528	SPACER PLAS .775 ODx.515 IDx.250 RL	4	4	4	4	4	4
52	02538	SCREW BTN HD SOC 1/4-20x3/4	2	2	2	2	2	2
53	02645	BOLT SHLDR 1/2x1	2	2	2	2	2	2
54	02646	BOLT SHLDR 1/2x1-1/4	2	2	2	2	2	2
55	02647	SPACER PLAS .251 ODx..152 IDx.156	8	8	8	8	8	8
56	02657	PLUG RD 1"ODx14-20 GA BLK	4	4	4	4	4	4
57	02660	NUT ACORN 1/2-13 NICKEL PLATED	4	4	4	4	4	4
58	02661	WASHER LOC 1/2" INTERNAL TOOTH PLTD	4	4	4	4	4	4
59	02662	SPACER PLAS .620 ODx .504 IDx 13/16	2	2	2	2	2	2
60	03005	PLUG 1/2x1x14GA						4
61	03006	TUBE HEAT SHRINK 1/8"						
62	03007	TUBE HEAT SHRINK 3/32"						
63	03008	PLUG 1x1-1/2					2	
64	03010	PLUG 1x1x14GA	2	2	2	2	4	2
65	03013	CAP .312x4 BLK PLASTIC TUBE					2	
66	03015	PLUG 1x2x14GA	8	8	8	8	9	8
67	03019	CAP 3/8 BLACK			2			2
68	03020	PLUG 1-1/2x2-1/2x11GA	4	4	4	4	4	4
69	03025	SPRING TORSION RH			2	1	1	2
70	03030	SPRING TORSION LESS BEND RIGHT		1	1	1	1	1
71	03035	SPRING TORSION LH			2	1	1	2
72	03040	SPRING TORSION LESS BEND LEFT		1	1	1	1	1
73	03065	GLIDE 1/4-20x1			4	2		4
74	03066	BEARING KILLIAN F300 1/2 ID 1-1/8					4	
75	03070	KNOB WING 1/2X13 ID		2	6	4	4	6
76	03073	KNOB PULL 1/2-13 ID						2
77	03080	RIV NUT 1/4-20 14GA			4	2		4
78	03095	SPRING M30 EXTENSION			1			1
79	03096	SPRING M52 COMPRESSION ARM REST						2
80	03105	MOTOR MAX65 8000N 120V	1	1	1	1	1	1
81	03107	CORD PWR MAX65 MTR 8000N	1	1	1	1	1	1
82	03125	KNOB "T" SPRNG LOAD PULL PIN 1/4DIA					1	
83	03178	CASTER DTCAS 4" DUAL LOCK	4	4	4	4	4	4
84	03190	TERM GS INSUL NYLON FEMALE 22-18GA	8	8	8	8	8	8
85	03191	SWITCH LIMIT ROLLER FT RAIL E13-00K	4	4	4	4	4	4
86	03192	STRAIN RELIEF FT RAIL SWTCH COVER	1	1	1	1	1	1
87	03193	RIVET PLAS PUSH FT RAIL COVER BLK	2	2	2	2	2	2
88	03214	UHMW 1x1/16 TOT BK FT HOOK SPACER					2	
89	03263	TERMINAL BLOCK 12 POLE 18-20GA 350V	1	1	1	1	1	1
90	03283	CABLE MAX65 FT BAR CONTROL 2.55M	1	1	1	1	1	1
91	03429	SPRING COMPRSSN 3/4x1-5/8 ZINC PLTD	2	2	2	2	2	2
92	12311	BAR GEAR 1/2SQx7-3/4 AT LOCK PLTD					1	
93	12511	BAR 1/8x1x2-3/4 STRAP HOOK 400 PLTD					2	
94	12519	GEAR RACK PLUNGER LOCK PLTD					1	
95	12527	BAR 1/8x1-1/4x2-13/16 LOCK LINK PLT					1	
96	12751	PLATE SX 1/8x6-1/2 STND LOCK PLTD					1	
97	13016	ROD 1/2x21 THD'D HD SEC LOCK PLTD		1	1	1	1	1
98	13021	ROD 1/2DIAx23 THD'D CTR SEC LK PLTD			1			1
99	02252	SCREW PAN HD PHIL 10-24x1/2	2	2	2	2	2	2
100	02207	WASHER SEALED #10x1/2 GALV STEEL	2	2	2	2	2	2
101	02265	SHT MTL AM-BA SIDE SHIELD PNTD	2	2	2	2	2	2

PARTS LIST								
ITEM NO.	PART NO.	DESCRIPTION	QUANTITY					
			150	200	300	350	400	500
				250			450	550
99	13026	ROD 1/2x23 THD'D FT SEC LK PLATED			1	1		1
100	13095	SPACER .913ODx.635 IDx.641 WHT PLAS		2	2	2	2	2
101	13504	ROD 1/2x17-1/4 FT SEC 400 THD PLTD					1	
102	13521	ROD 1/2x23 THD'D 400 CAM LOCK PLTD					1	
103	13526	BUSH CAM .515 ID LOCK MECH PLTD					1	
104	14501	BD UPH AM400 18x27 THORACIC					1	
105	14502	BD UPH AM400 10x27 LUMBAR					1	
106	14503	BD UPH AM400 33x27 FOOT SECTION					1	
107	14508	BD PLY 400 ADAPT FORMICA 3/4x10x12					1	
108	14800	BD UPH ARMREST 500 RIGHT						1
109	14801	BD UPH ARMREST 500 LEFT						1
110	14802	BD UPH 500 HEAD						1
111	14812	BD UPH HD SEC 27" WIDE		1	1	1	1	1
112	14813	BD UPH CTR SEC 27" WIDE			1	1		1
113	14814	BD UPH FOOT SEC 27" WIDE			1	1		1
114	14826	BD UPH 200 BODY 27"		1				
115	14827	BD UPH 100 TOP 27"	1					
116	18111	LIFTING ARM FOOT PAINTED	1	1	1	1	1	1
117	18113	LIFTING ARM HEAD PAINTED	1	1	1	1	1	1
118	18115	FRAME HEAD SECTION PAINTED		1	1	1	1	1
119	18117	FRAME 300 CENTER SECTION PAINTED			1			1
120	18127	BRKT LOCK SUPPORT PLATED		2	6	4	4	6
121	18136	FRAME TOP 100 PAINTED	1					
122	18138	FRAME TOP 200 PAINTED		1				
123	18144	BAR 300 CTR SEC LOCK S/A PLATED			1			1
124	18150	FRAME HEAD SECTION 500 PAINTED		1			1	1
125	18152	BRKT ARMREST 500 LEFT PLATED		1			1	1
126	18154	BRKT ARMREST 500 RIGHT PLATED						1
127	18184	CONTROL ROD 1 PC PNTD	1	1	1	1	1	1
128	18446	ROD 1/2x11-11/16 HD SEC SPPT PLTD		2	2	2	2	2
129	18448	ROD 1/2x8-11/16 CTR SEC SPPT PLTD			2			2
130	18452	ROD 1/2x18 400 TRAC FT SPPT PLTD			2	2		2
131	18494	STAND MACHINE PIVOT BC PAINTED					1	
132	18496	ROD 1/2x15-3/4 400 FT SEC SPPT PLTD					2	
133	18501	FRAME TOP ROLLER 400 PAINTED					1	
134	18506	FRAME FOOT SEC 400 PAINTED					1	
135	18512	FRAME TOP 400 TRACTION PAINTED					1	
136	18516	HANDLE FT BD 400 LK RLSE RT PLATED					1	
137	18522	HANDLE FT BD 400 LK RLSE LFT PLTD					1	
138	18914	BASE AMB 4 CSTR PNTD	1	1	1	1		1
139	18921	FRAME TOP 350 RR PNTD				1		1
140	18923	FRAME TOP 300 RR PNTD			1			1
141	18925	FRAME FOOT SECTION RR PNTD			1	1		1
142	18927	BAR FOOT SWITCH BC BASE PNTD	2	2	2	2	2	2
143	18953	BASE BC TRACTION 400 PNTD					1	
144	19020	PLATE FRMD SWITCH MNT ASSEMBLED	1	1	1	1	1	1
145	02252	SCREW PAN HD PHIL 10-24x1/2	2	2	2	2	2	2
146	02265	SHT MTL AM-BA SIDE SHIELD PNTD	2	2	2	2	2	2
147	02207	WASHER SEALED #10x1/2 GALV STEEL	2	2	2	2	2	2

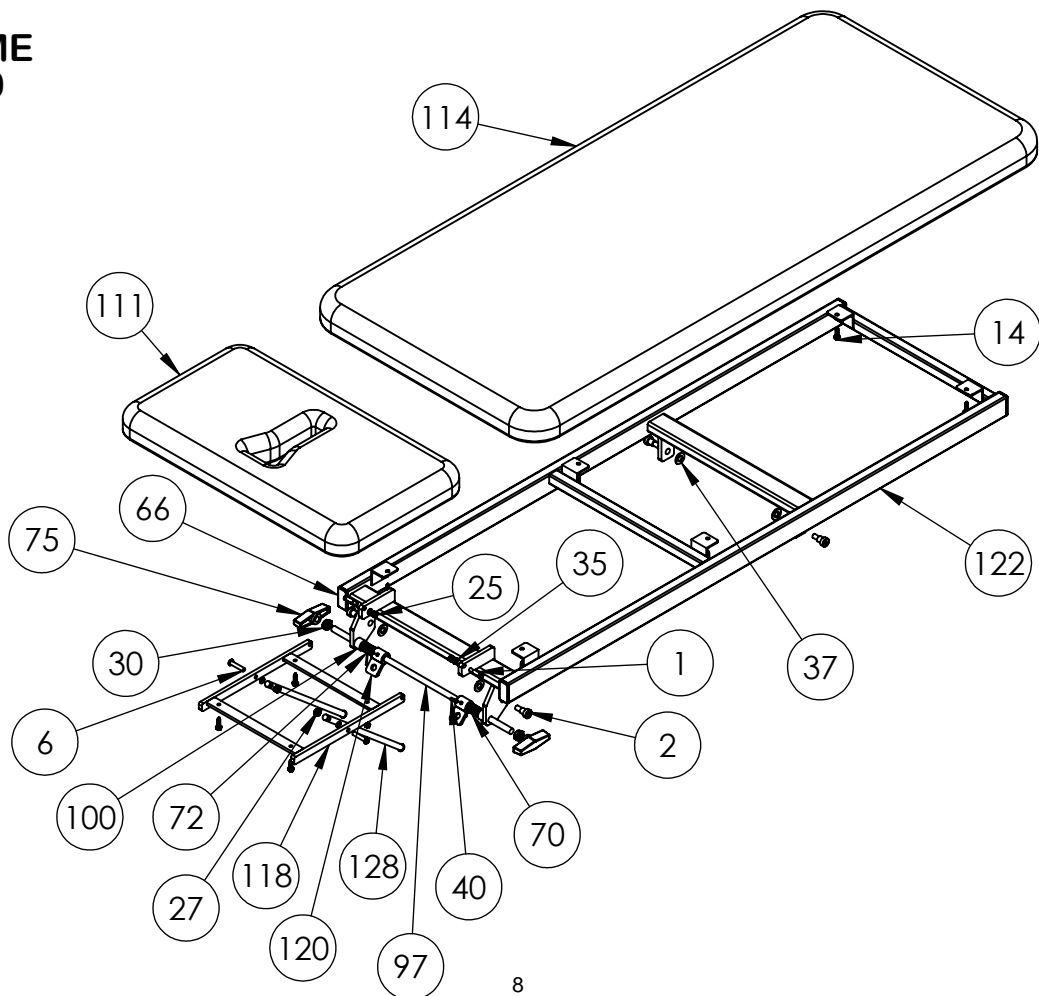
TABLE BASE AM-BA SERIES



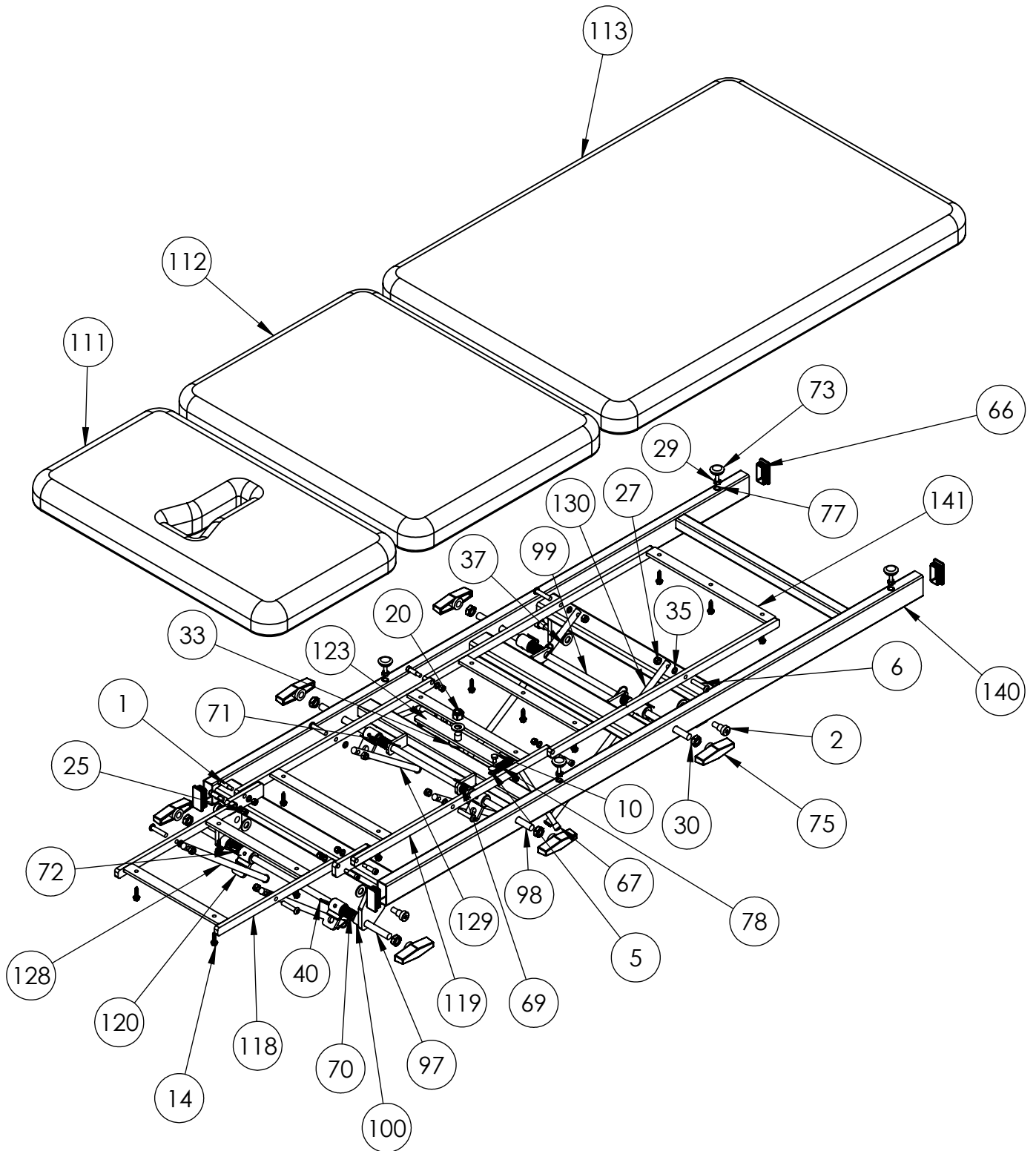
**TOP FRAME
AM-BA100**



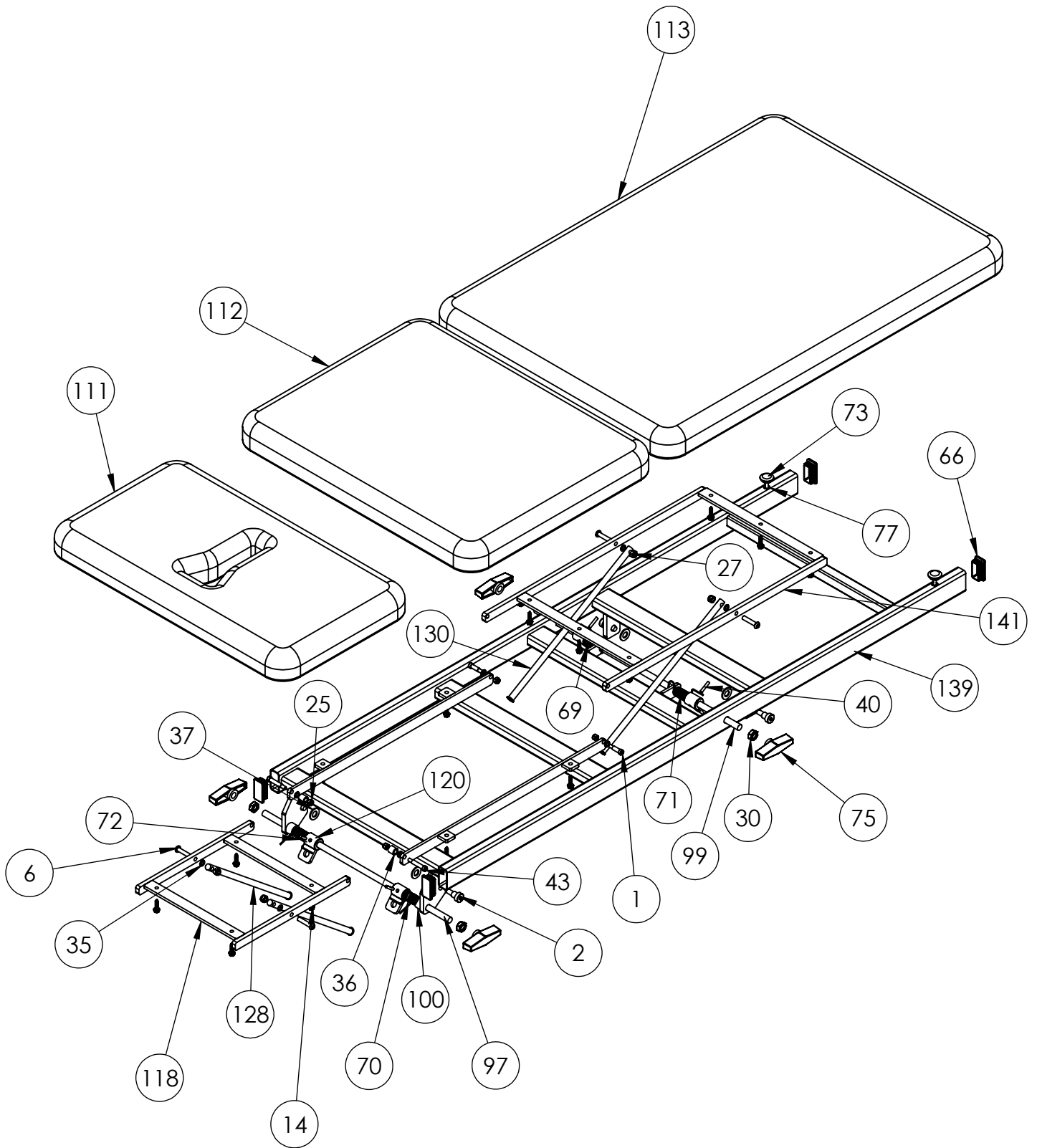
**TOP FRAME
AM-BA200**



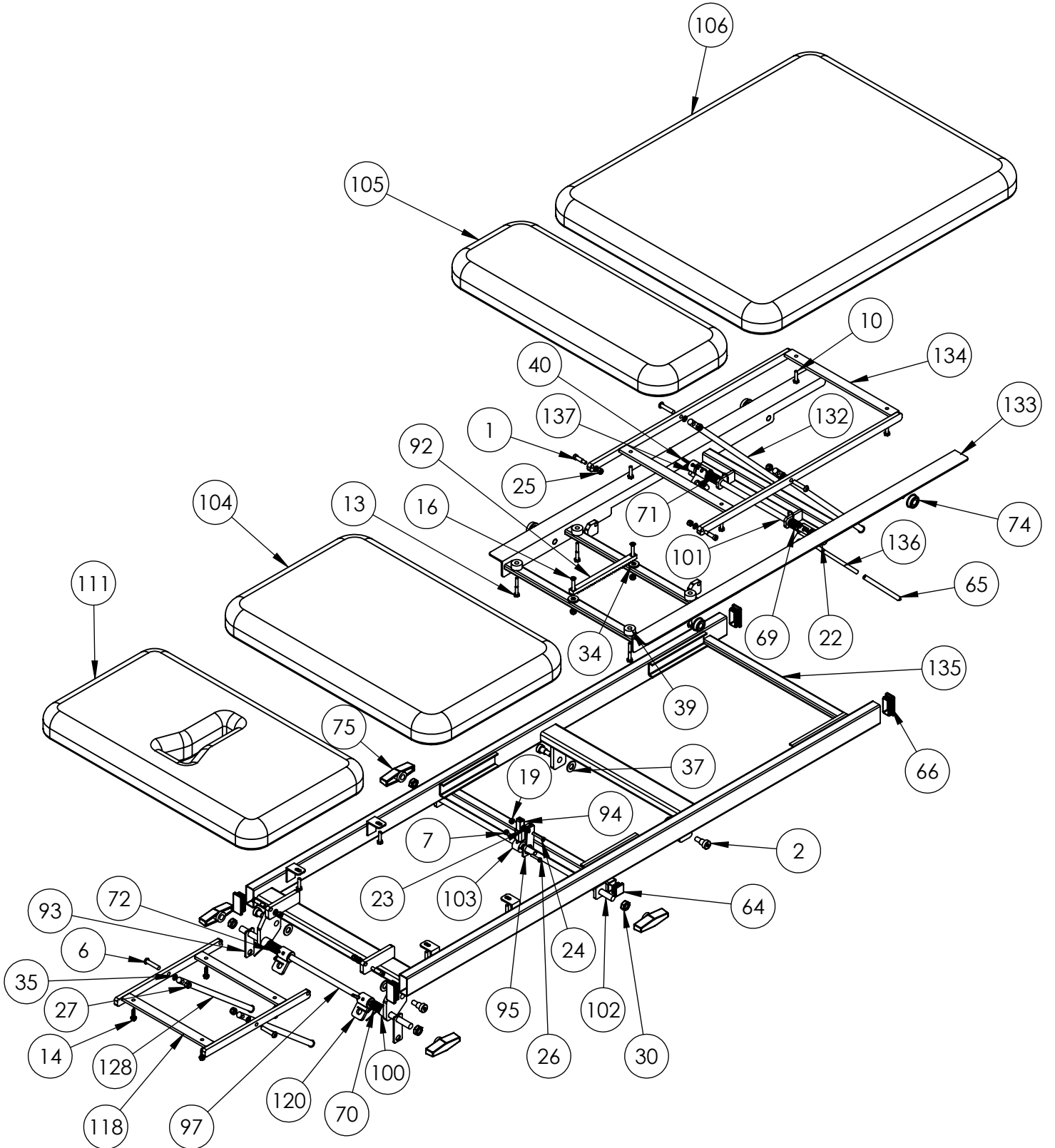
TOP FRAME AM-BA300



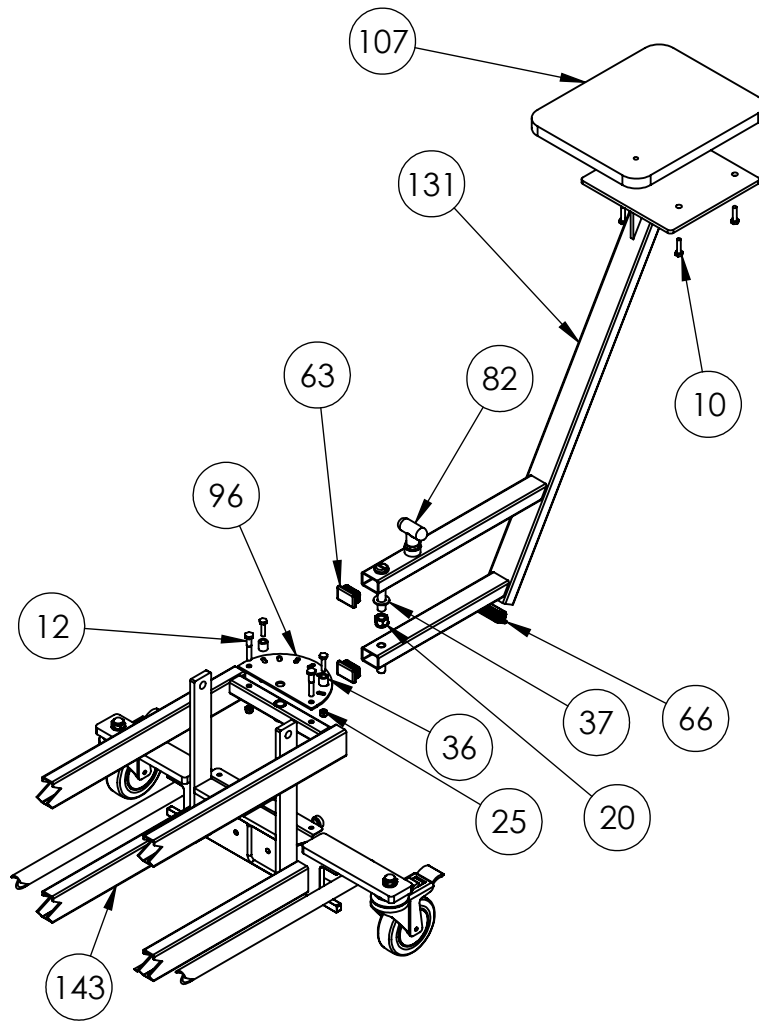
TOP FRAME AM-BA350



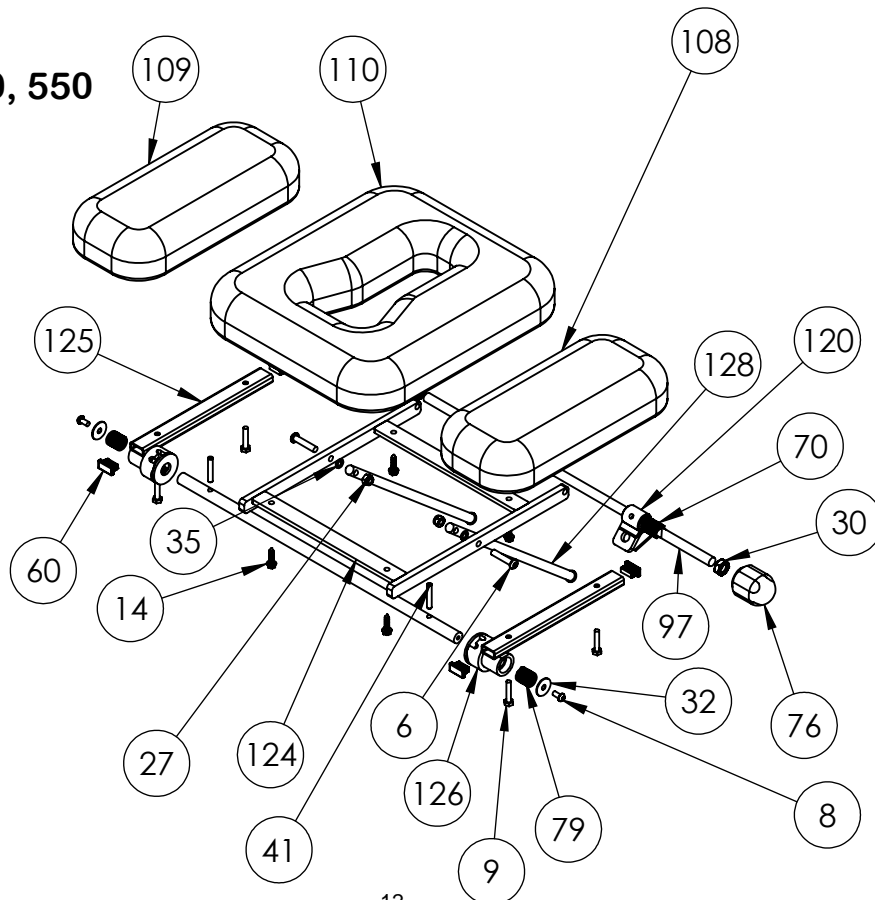
TOP FRAME AM-BA400



**SWIVEL STAND
AM-BA400, 450**



**HEAD PIECE
AM-BA250, 450, 500, 550**



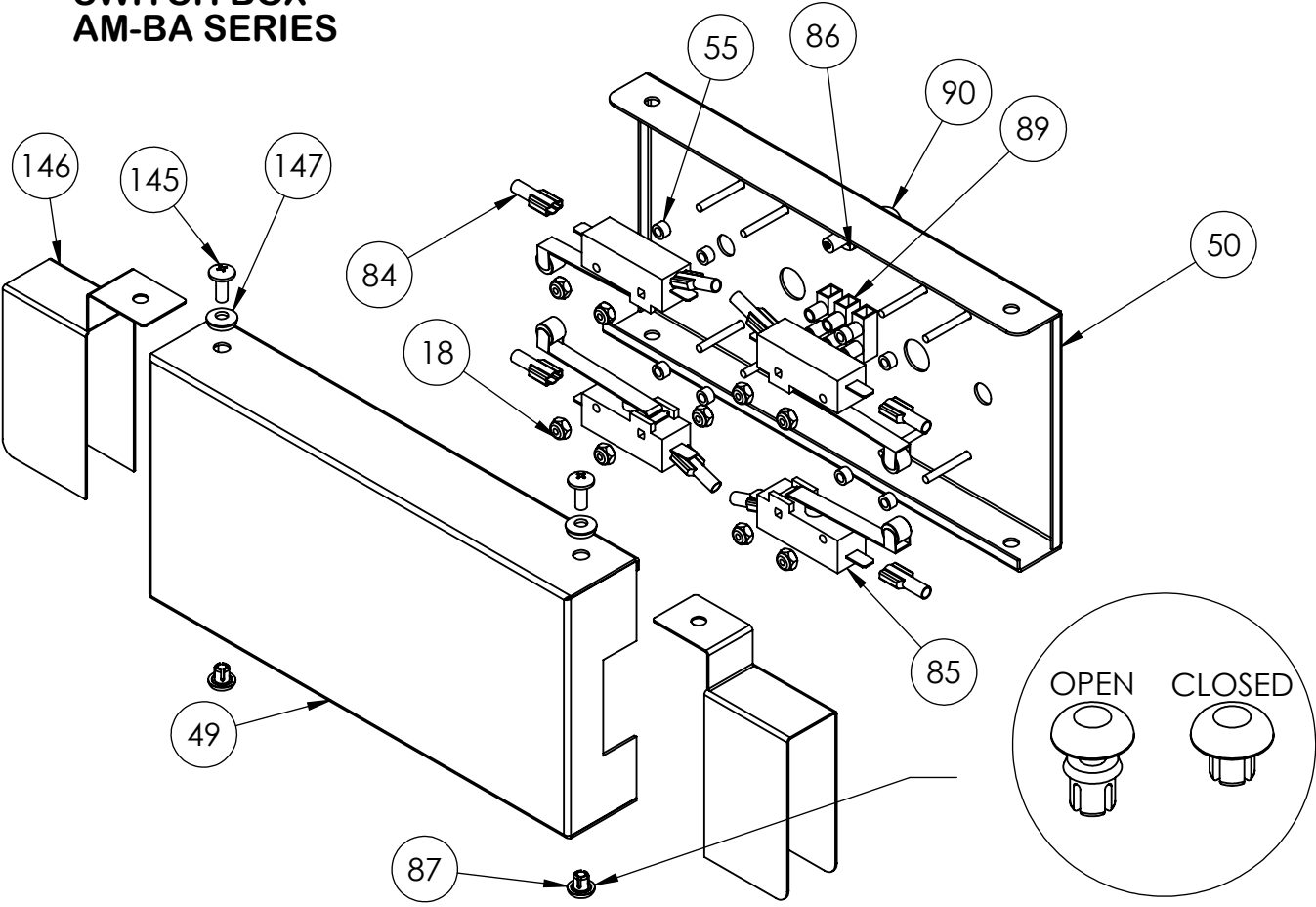
MICRO SWITCHES

The bar activated treatment table is equipped with 4 micro switches located in the box mounted on the foot end of the base. The switches are designed to provide years of reliable service. In the rare case that a switch does become inoperative, the box at the end of the table must be accessed. The switches are low voltage and are not a shock hazard. However caution should be used while servicing. The wires connecting the terminals to the switch are light gage and easily damaged. To replace a micro switch, follow these instructions while referring to switch box and wire diagram drawings.

DISCONNECT THE TABLE FROM THE WALL OUTLET BEFORE REMOVING SWITCH

1. Remove the cover plate (49) by removing 2 screws (145) from the top and 2 black plastic reusable rivets (87) from the bottom. Carefully slide the blade of the screw driver under the head of the rivet so damage to the finish does not occur. The head of the rivet will pop up allowing it to be removed. **DO NOT DISCARD RIVETS.**
2. Using both hands, gently remove cover plate by pulling directly away from mounted switch plate (50).
3. After determining which micro switch is not functioning by pushing or pulling on the foot bar, disconnect the table from the power source.
4. Using a 5/16" wrench remove two nuts (18) from the threaded studs and carefully remove the switch taking care not to damage the wires connected to it.
5. Remove the terminals from the switch by gently tugging on them. **DO NOT PULL WIRE.**
6. After the micro switch is disconnected, reconnect the replacement switch referring to the wire diagram found in this manual making certain the terminals are securely connected.
7. Once the wire terminals are connected to the replacement switch, make sure the plastic spacers (55) are on the threaded stud prior to reinstalling replacement switch.
8. Replace nuts (18) and securely tighten taking care not to over tighten.
9. Reconnect table to power source and test. Providing the table is operating correctly, replace cover plate ensuring that the side shields (146) are in place and reusing the screws, washers and plastic rivets.

**SWITCH BOX
AM-BA SERIES**



WIRE DIAGRAM

