

Extendable Extra Wide Scale

Instructions



CAUTION:

- ALL BATTERIES MUST BE THE SAME TYPE.
- DO NOT MIX OLD AND NEW BATTERIES.
- REMOVE EXHAUSTED BATTERIES OR IF THE ITEM IS NOT GOING TO BE USED FOR AN EXTENDED TIME PERIOD.
- MAKE SURE TO PROPERLY DISPOSE DEAD BATTERIES IN ACCORDANCE WITH STATE AND LOCAL LAWS.

Please read these instructions carefully and keep for future reference.

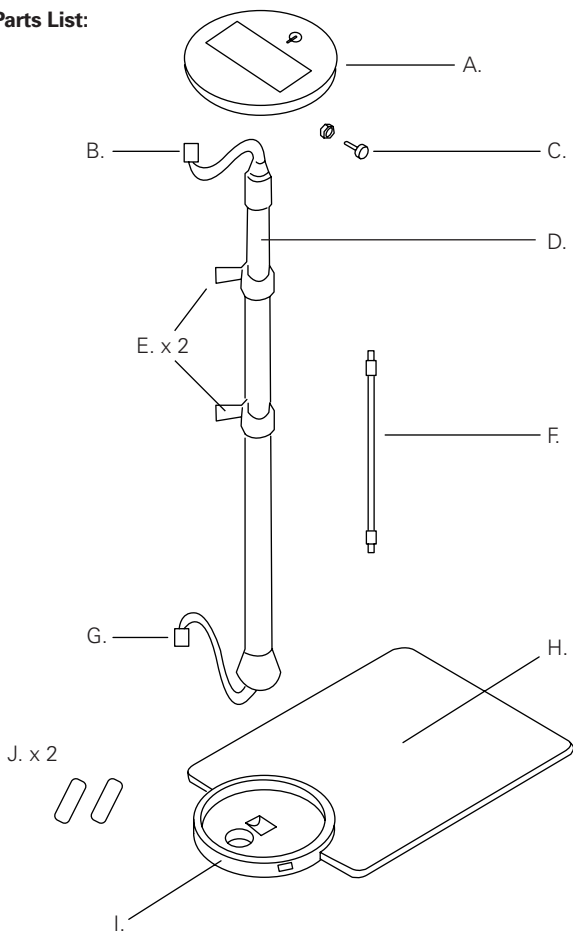
Important:

1. In order to track your weight accurately, we suggest using the scale at the same time every day.
2. To prevent scale from tipping over, do not stand on edges of scale.

Parts List:

- A. Display
- B. Top End Micro USB Cable
- C. Screw and Nut
- D. Extendable Pole
- E. Clamps x 2
- F. Short Micro USB Cable
- G. Bottom End Micro USB Cable
- H. Scale Platform
- I. Display Base
- J. Adhesive Tape x 2

Parts List:

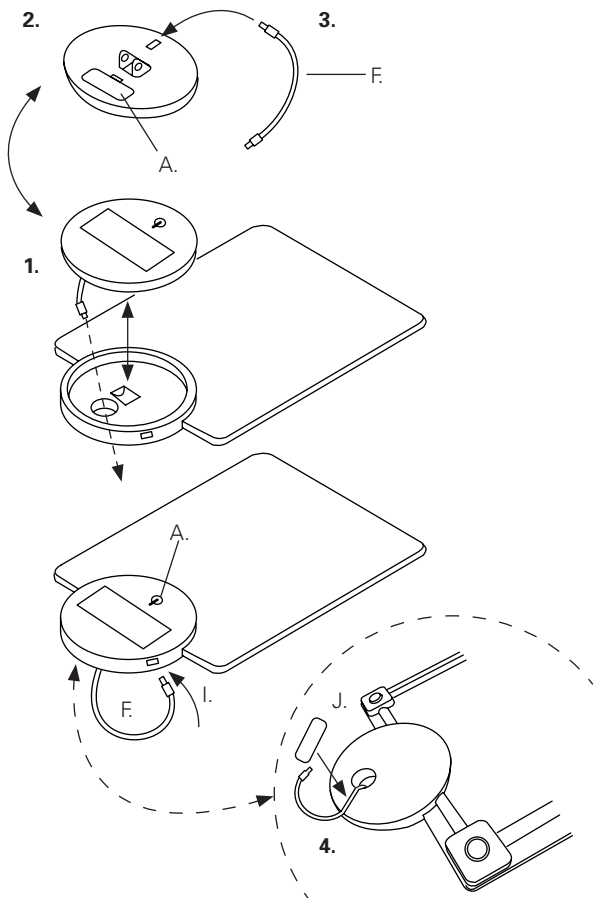


Technical Specification:

- Maximum Capacity: 550 LBS (250 kg)
- Minimum Capacity: 22 LBS (10 kg)
- Weight Mode: kg (kilograms), st (stones), and lb (pounds).

Assembly without Pole:

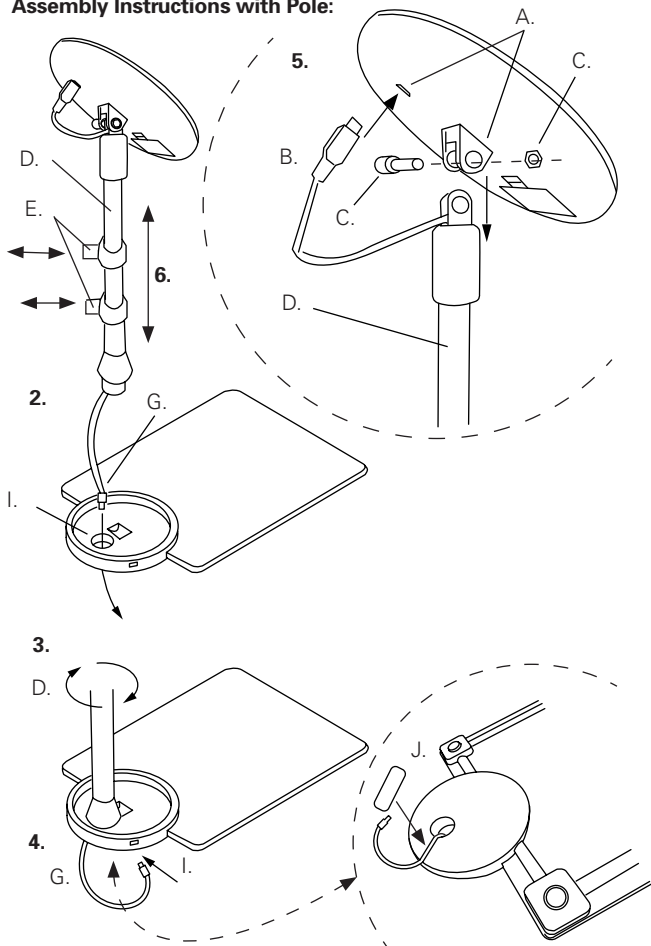
1. Place scale on a flat surface. Gently pull the monitor (A) upward to detach.
2. Open battery compartment on the flip side of monitor (A) and insert 2 AAA batteries matching the correct polarities as indicated inside. Replace battery cover.
3. Connect the short micro USB cable (F) into USB port located on the underside of monitor (A).
4. Pass other end of short micro USB cable (F) through the display base (I) and gently replace monitor (A) back into place. Connect USB cable (F) into port (I). Place cable inside track and use adhesive tape (J) to keep in place.
5. Press On button (A) to turn On. Press again to choose weight in kilograms (kg), stones (st), or pounds (lb). Note: if no selection has been made, the display will automatically turn off after 12 seconds and will turn On when you stand on the scale.
6. Stand still on the scale until numbers stabilize and flash twice. Note: if the scale does not automatically turn On, simply press the On button.

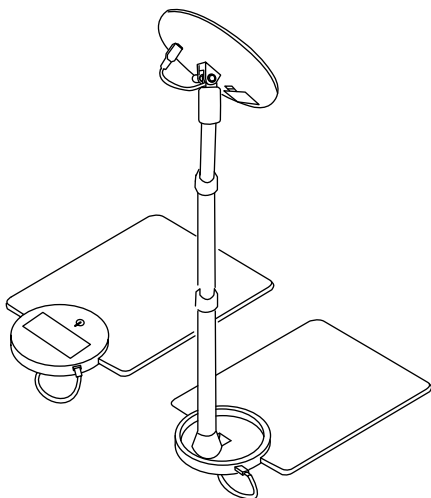


Assembly with Pole:

1. Follow steps 1 and 2 from Assembly without Pole section.
2. Pass the bottom end micro USB cable (G) through the display base (I).
3. Screw into place by turning clockwise. Note: make sure to screw pole (D) in straight. **Do not over tighten.**
4. Firmly connect the bottom end micro USB cable (G) into USB port on the front side of the display base (I). On the underside of display base (I) run cable in track and use adhesive tape (J) to keep in place.
5. Align the top of the pole (D) with the monitor's bracket (A). Use screw and nut (C) to join together using a Phillips screwdriver (not included). Plug the top end micro USB cable (B) to the Monitor USB port (A).
6. Unlock any of the 2 clamps (E) on the pole (D) by pulling outward. Adjust to desired height and relock the clamps.
Note: To weigh yourself, follow steps 5 and 6 on Assembly Without Pole section.

Assembly Instructions with Pole:





Cleaning:

Occasionally clean with a dampened cloth.