

**IMPORTANT
INFORMATION
DO NOT DISCARD**

Kaye Suspension Conversion Kit
Models SC2, SC3 & SC4

Each box should contain the following:

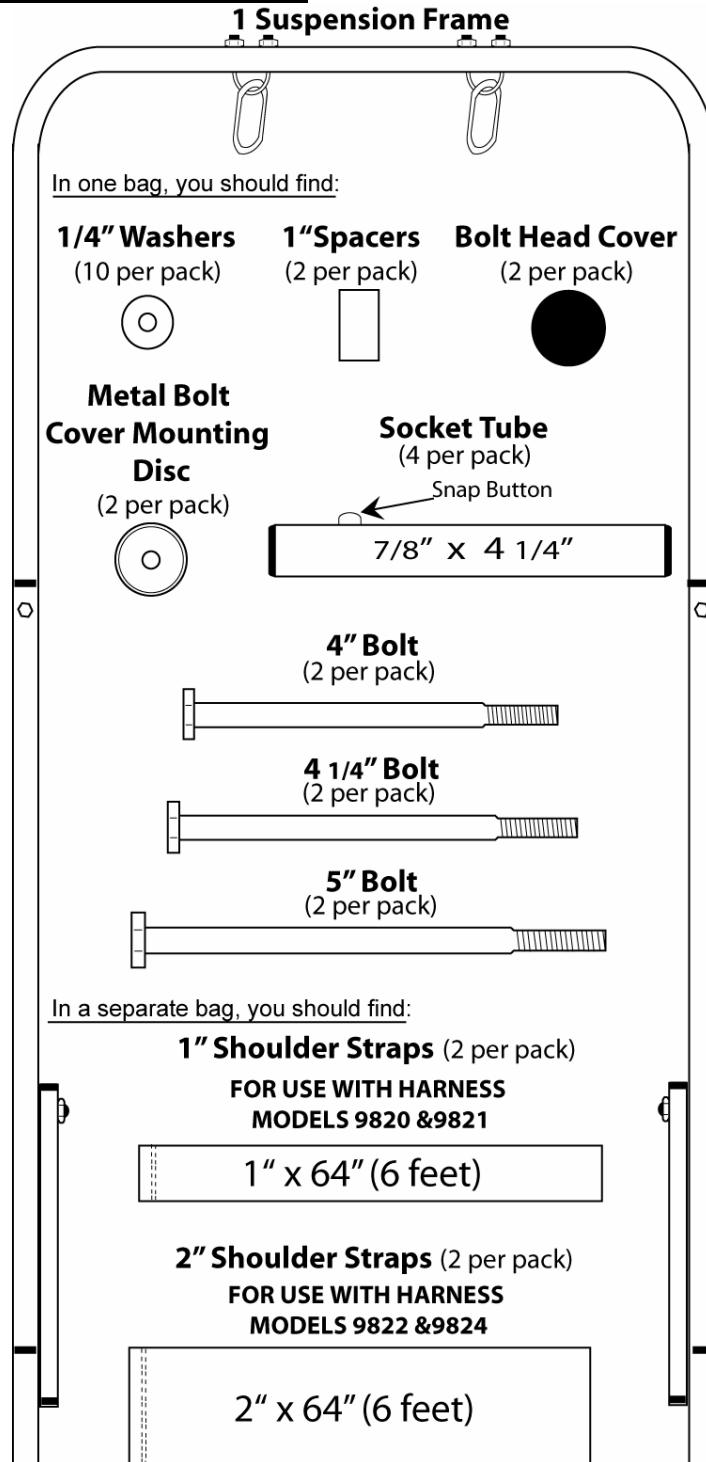


Figure 1: Box Contents

These are the user instructions for the **Kaye Suspension Conversion Kits, models SC2, SC3, and SC4.**

All people who set-up, adjust, and use this item should first read these entire instructions while referring to the accompanying figures. Please store these instructions for future reference.

USE OF THE SUSPENSION CONVERSION KIT

These kits convert Kaye Posture Control Walkers into suspension walkers or partial weight-bearing walkers. These kits do not have a winch for lifting, so they should not be used with heavy users who have to be lifted into the unit.

These units are intended for use over level ground. They are designed for users who do not have balance in standing and need the support of a harness while developing posture control, or who need to have some of their weight taken off of their feet to develop efficient reciprocal movements when walking. When using the unit over level ground, you should adjust the harness so that the user can generate adequate push-off and heel strike while walking.

These units can be paired with any walker-wheel combination, but four-wheeled walkers with swivel front wheels provide the greatest maneuverability. If the walker is equipped with external ratchets, you can disable those ratchets for even greater maneuverability. For safety reasons, you should re-engage those ratchets before using the walker without the benefit of the suspension unit.

IDENTIFICATION, PRODUCT COMBINATIONS, & WEIGHT LIMITS

The model numbers for the conversion kits and for the walkers are on the black warning labels. The following chart lists all of the suspension conversion kits, the appropriate walker models for each kit, and the weight limit for the walker and the conversion kit:

Suspension Conversion Kit, Model #	Works on Walker Model #s	Weight Limit, Lbs (kgs)
SC1	W1/2B, R, S, X W1/2BH, R, S, X W1B, R, S, X W1BH, R, S, X	60 lbs (27 kgs)
SC2	W2B, R, S, X	85 lbs (39 kgs)
SC3	W3B, R, S, X	130 lbs (60 kgs)
SC4	W4B, R, S, X	180 lbs (82 kgs)

Regardless of the particular suspension conversion kits that you use, the harnesses themselves have their own weight limits, as identified below. Any of the four harnesses will work with any of the suspension conversion kits, so the harness should be chosen based on its fit for the user.

Harness Model & Size	Thread Color	Acceptable Pelvis Circumference, Inches (cms)	Weight Limit, Lbs (kgs)
9820-Small	Red	16" to 25" (41 to 63 cms)	80 lbs (36 kgs)
9821-Medium, Slim	Yellow	22" to 32" (56 to 81 cms)	80 lbs (36 kgs)
9822-Medium	Blue	24" to 35" (61 to 88 cms)	250 lbs (113kgs)
9824-Large	Green	34" to 45" (86 to 114 cm)	250 lbs (113kgs)

Do not exceed the weight limit for either the harness or the walker.

FRONT SOCKET TUBE INSTALLATION

Refer to figures 2 & 3 and use two each ½" wrenches to install the front sockets as follows:

NOTE: If you have a W2B series walker, you will need to replace bolts A with 4" long bolts (These are the shortest of the supplied bolts.). If you have a W3B or W4B series walker, you will need to replace bolts A with 5" long bolts (These are the longest of the supplied bolts.).

1. On one side of the walker, replace bolt A with a 4" or 5" long bolt (as identified above). Insert the bolt from the inside of the walker. When doing this, use one washer between each of the parts. Do not yet install the nut.
2. Place two washers on the outside of the bolt where it protrudes from the walker.
3. Install one of the four socket tubes on the bolt so that the snap button faces outward.
4. Add one washer on the outside of the newly installed socket tube.
5. Install the black cap nut on the end of the bolt. Turn the nut at least two full revolutions onto the bolt beyond the point in which the nut is finger-tight—this will engage the locking feature of the socket. Failure to do this may allow the nut to vibrate off and permit the unit to collapse.
6. Repeat the above steps on the opposite side of the walker.

REAR SOCKET TUBE INSTALLATION

Refer to figures 2 & 4 and use two ½" wrenches to install the rear socket tube as follows:

1. Place a metal flange on each of the two 4 ¼" bolts (These are the middle of the three bolt-lengths provided). Do this so that the flange cups the head of the bolt.
2. On one side of the walker, replace bolt B with one of the 4 ¼" bolts, from above. Insert the bolt from the inside of the walker. When doing this, use the same number of washers between each of the parts as is used on the other side of the walker. Do not yet install the nut.
3. Add a 1" spacer onto the bolt where it protrudes from the walker.
4. Install one of the four socket tubes on the bolt so that the snap button faces outward.

5. Install the black cap nut on the outside of socket. Turn the nut at least two full revolutions onto the bolt beyond the point in which the nut is finger-tight—this will engage the locking feature of the nut. Failure to do this may allow the nut to vibrate off and permit the unit to collapse.
6. Place one of the supplied plastic covers over the metal flange that wraps around the bolt head. Snap that into place.
7. Repeat the above steps on the opposite side of the walker.

FRAME INSTALLATION

Once all four socket tubes are installed, as detailed above, refer to figure 2 and install the larger frame as follows:

1. The ends of the front socket tubes should plug into the ends of the U-shaped frame as shown. When doing this, the labels should be oriented towards the front (open end) of the walker.
2. Depress the snap buttons in the front socket tubes and telescope the U-frame onto the socket tubes until the snap buttons protrude from the holes in the U-frame.
3. The end of each rear socket tubes should plug into the end of each supporting tube (The supporting tube has one end bolted to the U-frame.).
4. Depress the snap buttons in the rear sockets and telescope the supporting tubes onto the rear socket tubes until the snap buttons protrude from the holes in the supporting tubes.

SHOULDER STRAP PREPARATION

When the harnesses are used with the suspension conversion kit, however, you need to **replace the shoulder straps** with the longer ones in this package, as detailed below:

For Harness Models 9820 & 9821: use the 1” shoulder straps

For Harness Models 9822 & 9824: use the 2” shoulder straps

You now need to add the male ends of the buckles to these longer shoulder straps. To do this:

1. Slide the ends of the short shoulder strap off of one buckle only. Pay particular attention to the routing of the strap through the buckle.
2. Install the buckle onto the longer strap, just as it was installed onto the shorter strap. Refer to the other buckle to ensure that this one is installed correctly.
3. Plug the newly installed buckle into the female end, which is attached to the harness, and pull on the long end of the strap to ensure that the strap does not slip. **If the strap slips through the buckle, it is routed incorrectly.**
4. Repeat the above steps and install the second buckle so that one buckle is on each end of the strap.
5. Remove the adjustment slide from the short shoulder strap by threading the doubled webbing back through the slide. Thread the doubled longer webbing back through the slide in the same way so that a loop is formed.
6. Repeat the above steps with the second strap.

MAINTENANCE, WARRANTY, AND CAUTIONS

MAINTENANCE AND CARE

- Before each use, inspect the harness, hooks, and straps. If these show wear or fraying, immediately cease use and contact Kaye Products, Inc. or the dealer from whom you purchased the item.
- Inspect the entire product regularly. Tighten the hardware as necessary. If an item needs service or spare parts, immediately cease use and contact Kaye Products, Inc., or the dealer from whom you purchased the item.
- If a problem is discovered that may impact the unit's function, immediately cease use and contact Kaye Products, Inc. or the dealer from whom you purchased the item.
- Do not expose the unit to rain or submerge it in water.
- Use a slightly damp cloth, and, if needed, a mild soap, to clean frame. Refer to the section entitled "cleaning the harness" for those details.
- Avoid any undue stress to the unit while using, storing, or transporting it.

LIMITED WARRANTY

If an item proves defective within two years of the original purchase, we will provide replacement parts in order to correct that defect. Normal wear and tear is not covered by the warranty.

Kaye Products, Inc. makes no other warranty, expressed or implied, and does not warrant the product as being fit for a particular purpose. The purchaser, owner, and user assume all risk of personal and property injury due to the use of the equipment.

CAUTIONS

1. Do not adjust the unit while in use.
2. Watch traffic patterns around the unit to ensure that others do not bump or hit it.
3. Do not use the unit if there are broken or missing parts or if the hooks, straps, or harness shows wear or fraying.
4. Do not exceed the size or weight limits.
5. Do not alter the unit or use it in any way other than described herein.
6. Before use, always ensure that all of the hardware is fully tightened.
7. Do not leave the user unattended.
8. Always ensure that the hooks are locked and the harness is secure before allowing the unit to support the user.
9. Use only on level ground.
10. If you disable the rear ratchets, re-engage those before using the walker without the benefit of the suspension unit.

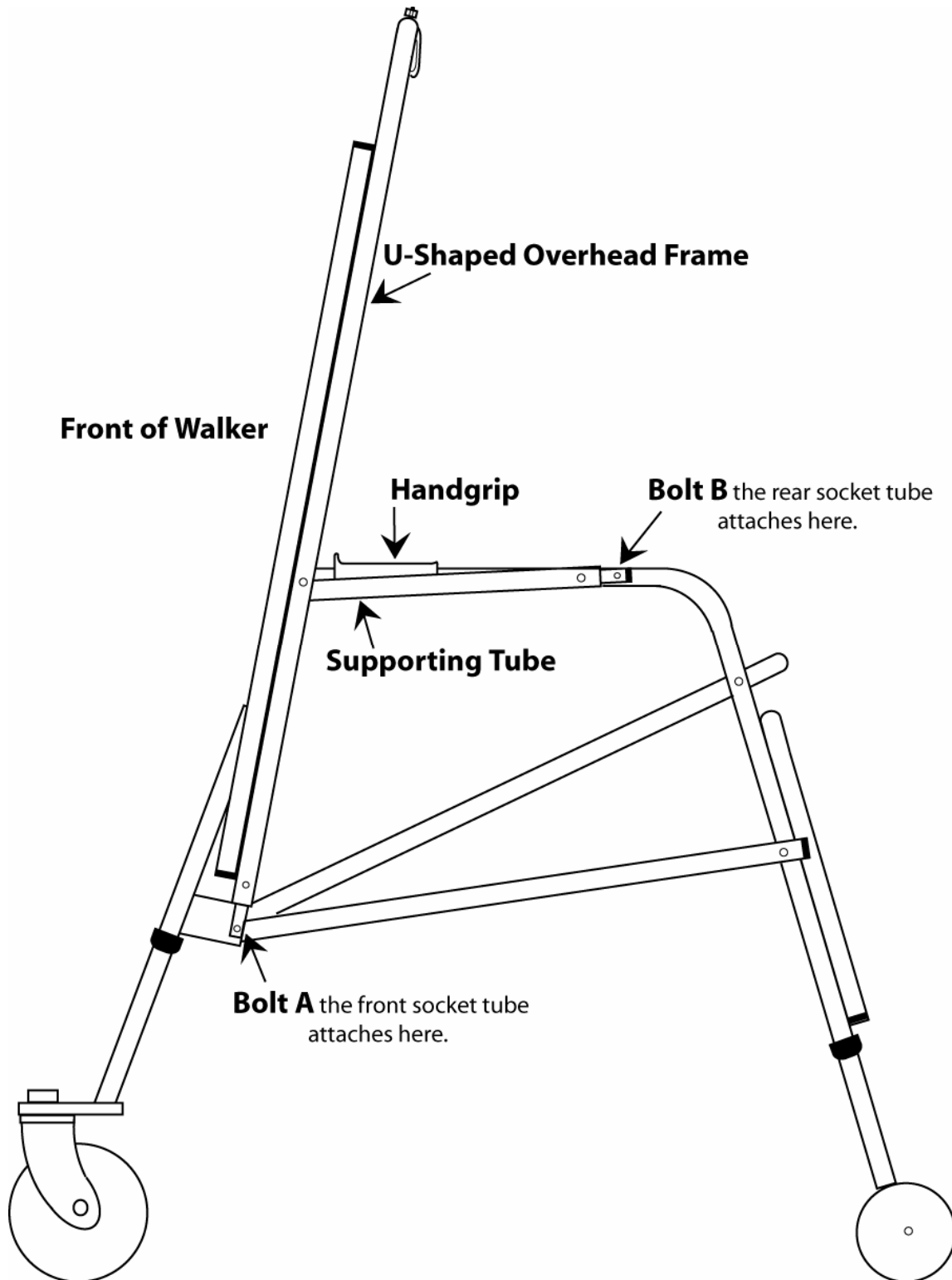


Figure 2: Side View of Walker & Frame

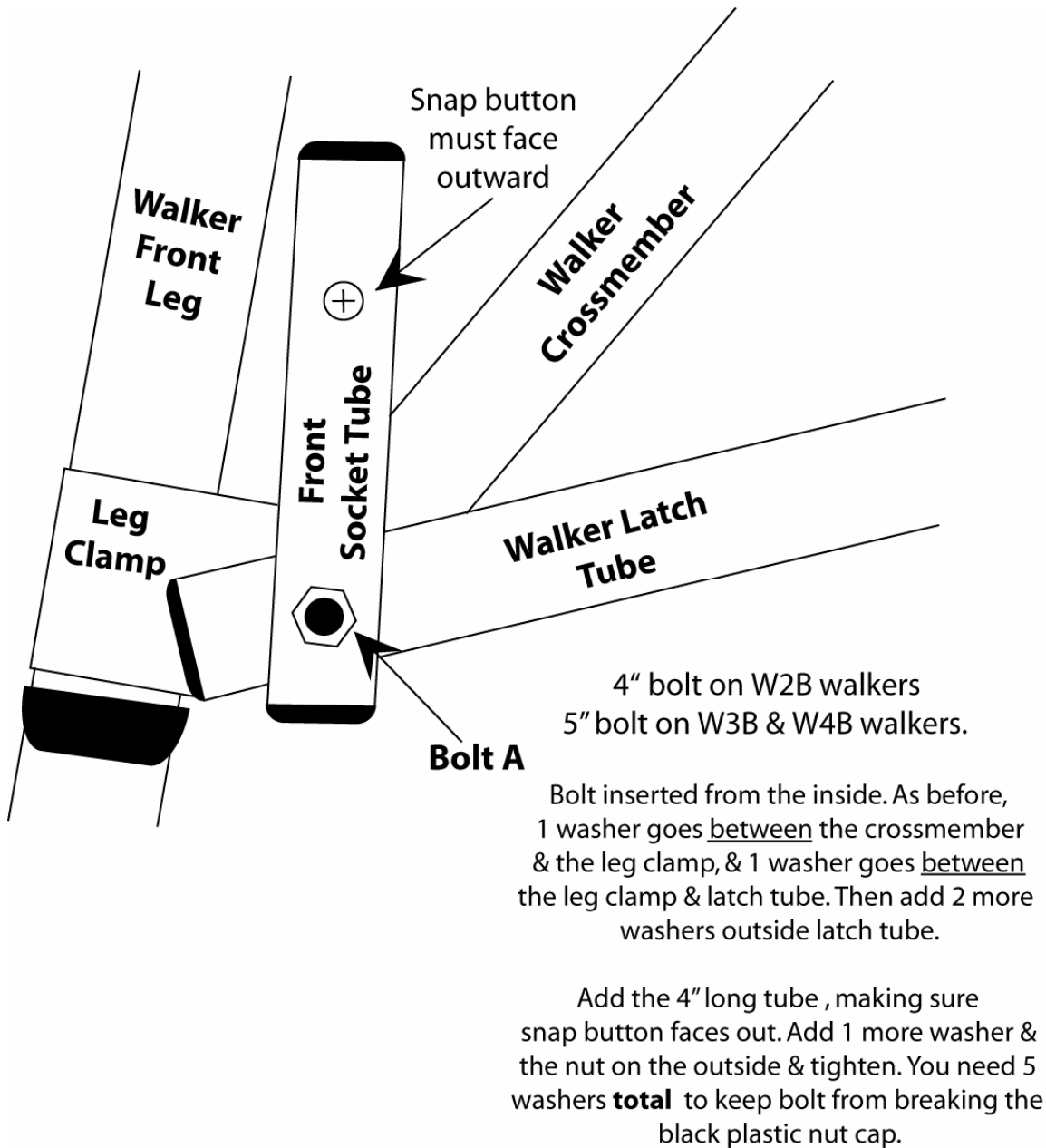


Figure 3: Front Socket Tube Installation

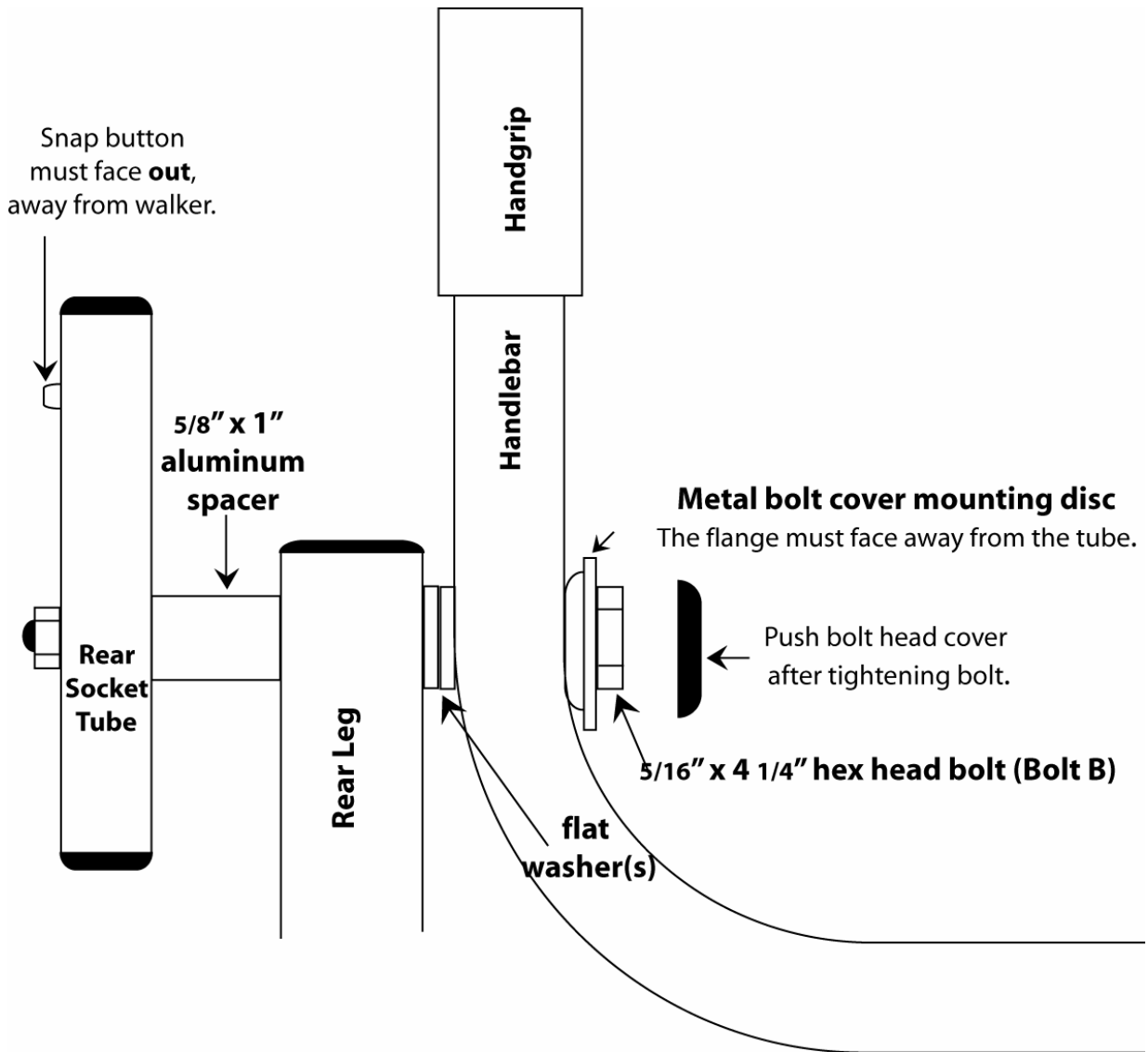


Figure 4: Rear Socket Tube Installation