



**MULTICHAIR 4000Tilt**

*This portable Tilt-in-Space shower chair features **nuprodX**' unique tilt mechanism with Center-of-Mass design, to centralize the user's weight through the entire tilt range. The side-mounted tilt crank operates with a light, low-effort through the entire range of motion, even with heavier users\*. With light weight and a compact design, the 4000Tilt can easily maneuver in even the smallest of bathrooms.*

### Features

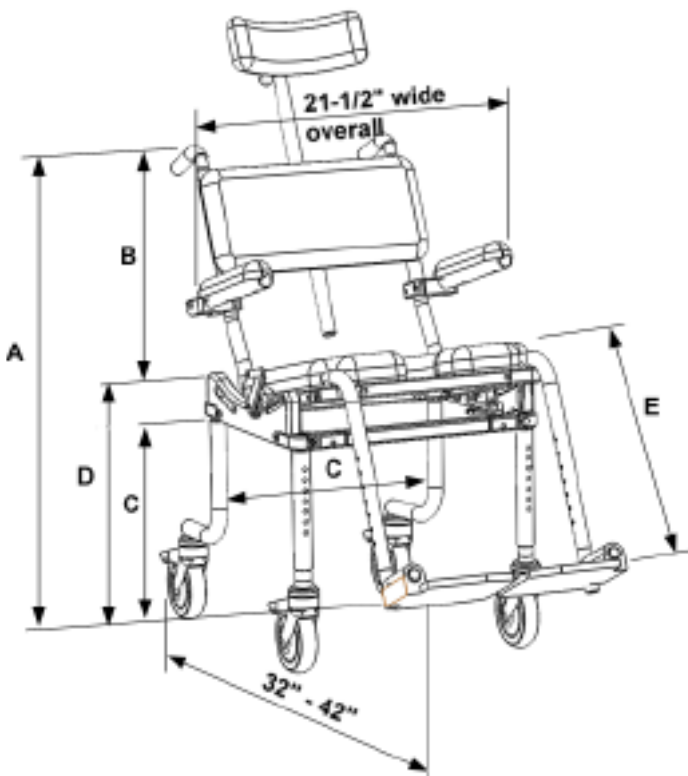
- Tilt-in-Space system controlled by a rack-and-pinion hand crank for easy caregiver / user adjustment of tilt angle. Lever can be mounted to either side for left- or right-hand side operation
- Self-skinning padded urethane cushions with 1/2" waterfall-style foam ring around the commode opening and slot help protect the ischial and coccyx areas to reduce risk of pressure sores.
- Adjustable padded headrest
- Cantilever fold-back / locking padded chair arms
- Seat height adjusts from 20-1/2" to 24-1/2" (easily fits over the highest toilets required by the ADA).
- Swing-away / removable push handles
- Adjustable swing-away footrests
- Four 5" casters with total-lock brakes
- Center-of-Mass design allows for a short depth (32" upright / 42" at full-tilt), making it the ideal solution for smaller bathrooms
- Won't rust or corrode—constructed of aircraft grade aluminum, brass, stainless steel and plastic.

### Specifications

- Approximate weight: 38 pounds
- Weight capacity: 300 pounds
- 33" from center of roll-in section to center of tub section. Custom length bridges available to fit most any bathroom.
- Back rest angle is 30° from vertical at full tilt.
- Passed ANSI/BIFMA X5.1 test performed by Gaynes Labs, Inc. (a national testing laboratory). Weights of 250 lbs. and 300 lbs. were dropped on the chair, with no structural breakage or loss of serviceability

### Dimensions and Notes

- A = 35-1/2" to 39-1/2" (adjustable)
- B = 15-1/2" (top edge of back cushion to top of cushion or cloth)
- C = 16-1/2" (inside minimum clearance)
- D = 20-1/2" to 24-1/2" (adjustable, floor to top of seat cushion)
- E = 12" to 20" (adjustable)



\* Up to rated capacity