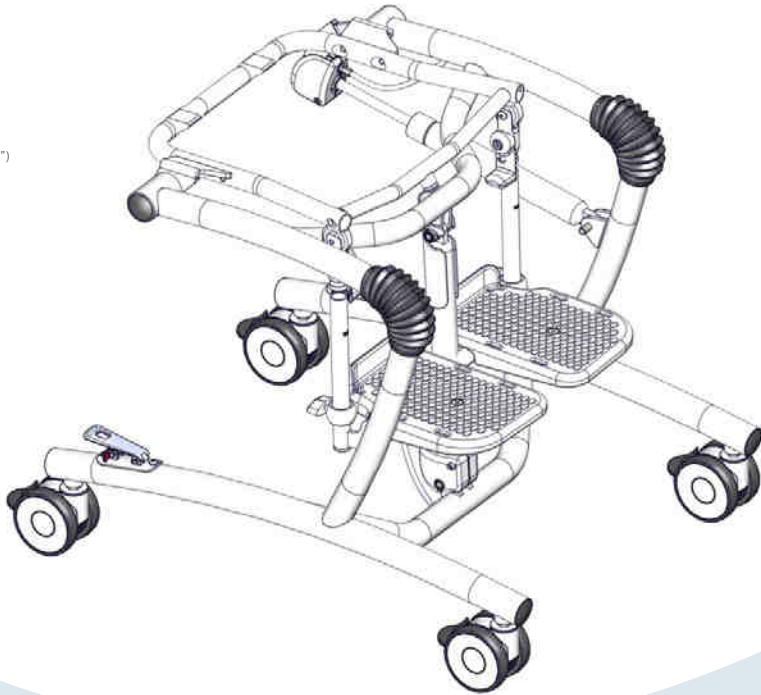




530-740 mm (20¾-28¾")

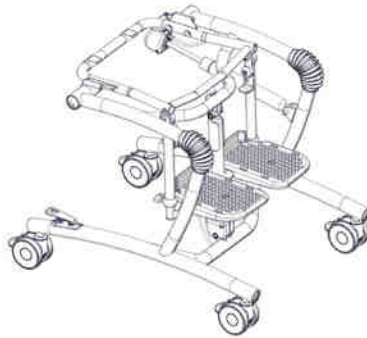
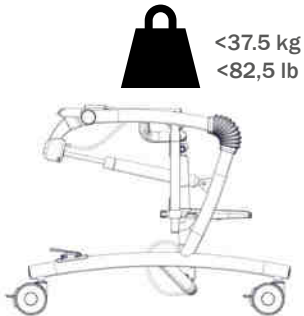
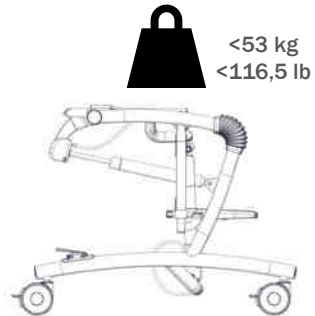
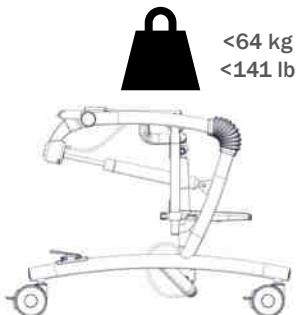
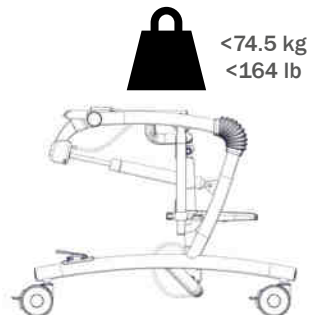


max. 12.5 kg (27.5 lb)



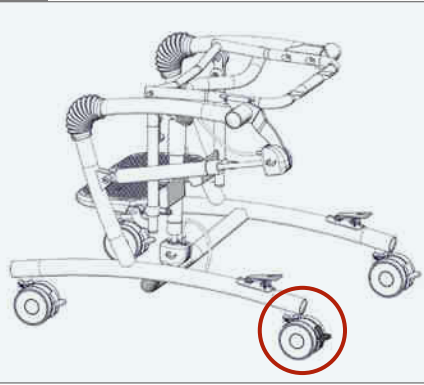
## High-low bath frame User Guide

EN 12182

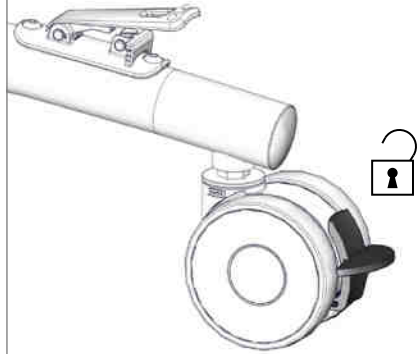
**High-low bath frame 1****High-low bath frame 2****High-low bath frame 3****High-low bath frame 4**



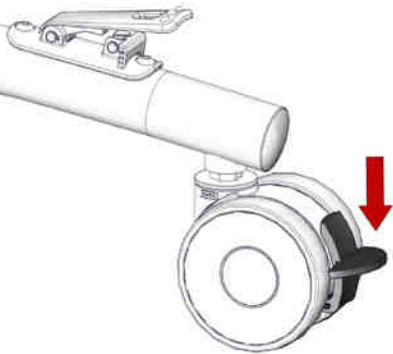
1.



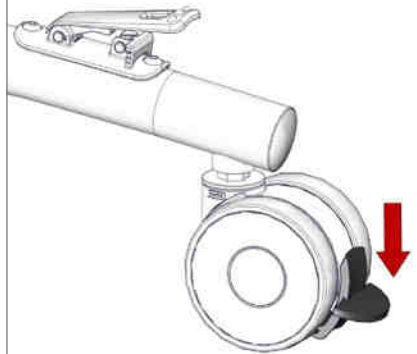
2.



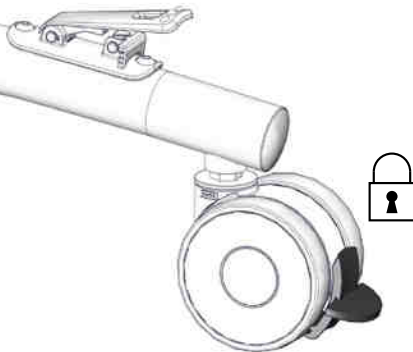
3.



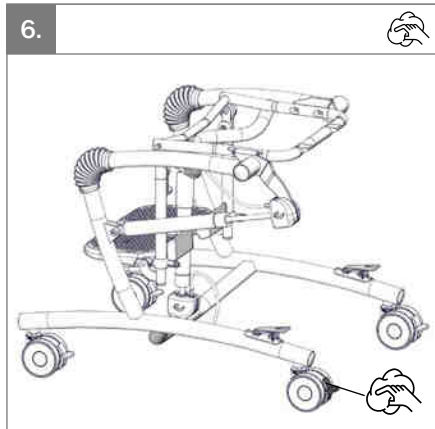
4.

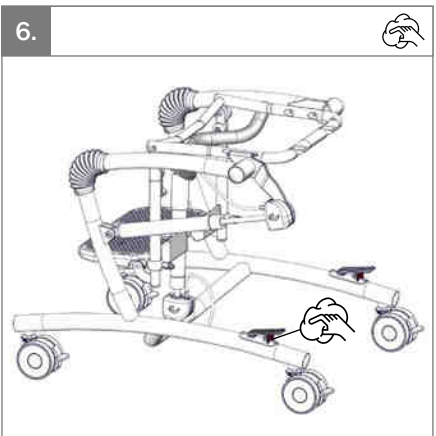
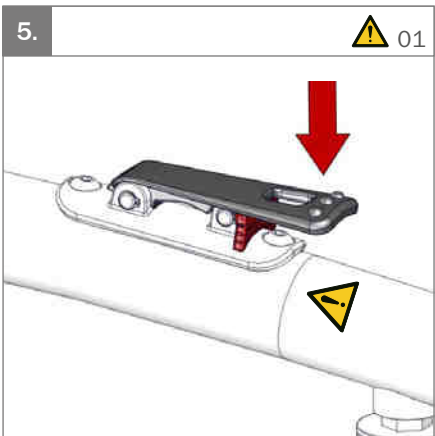
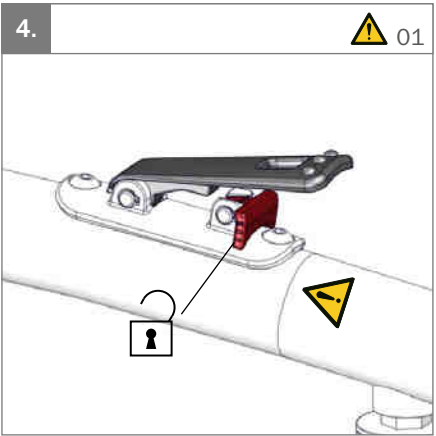
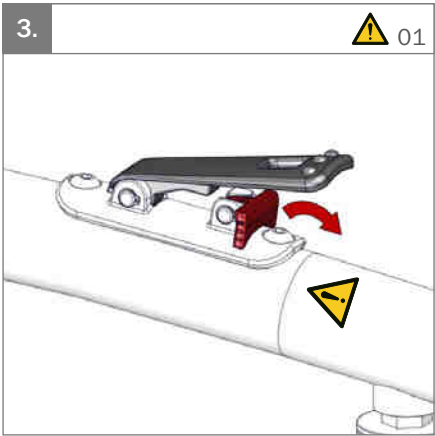
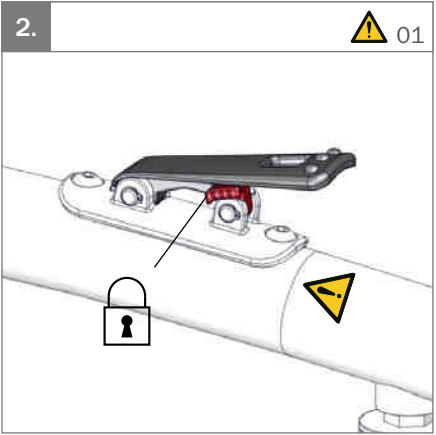
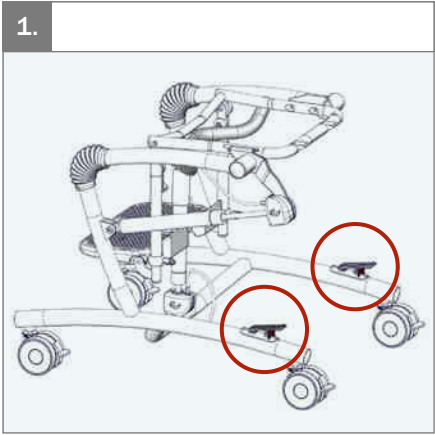


5.



6.

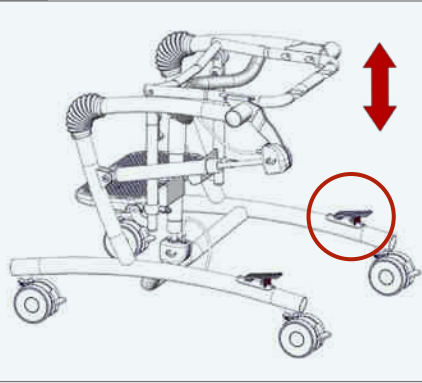




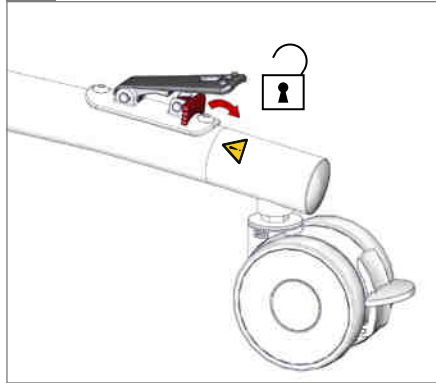


1.

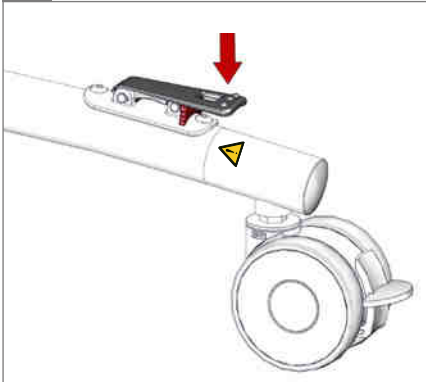
53-74 cm



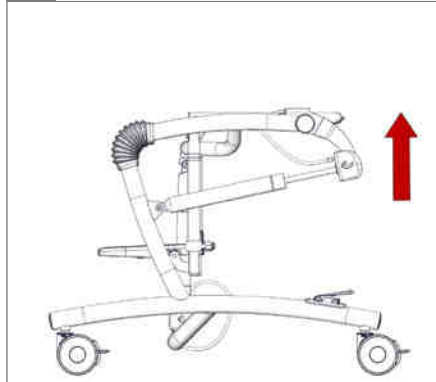
2.

 01

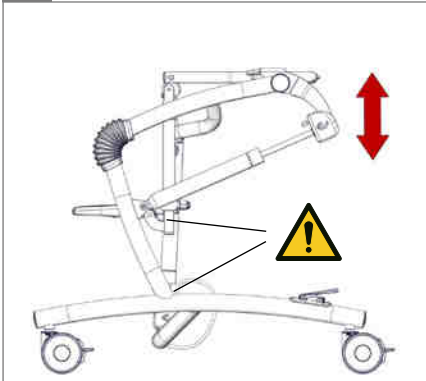
3.

 01

4.



5.

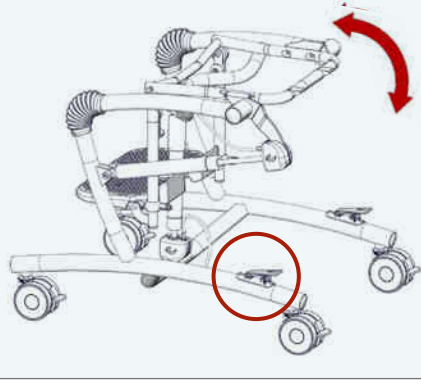
 01

6.

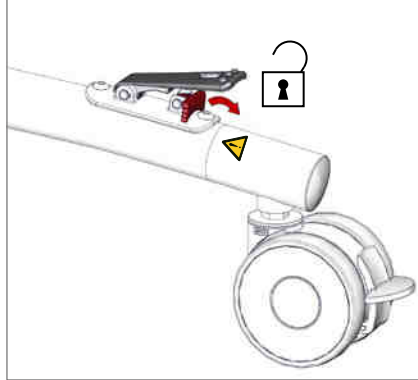




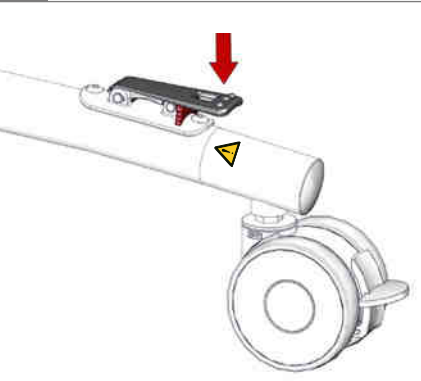
1.

 $-5^{\circ} - 20^{\circ}$ 

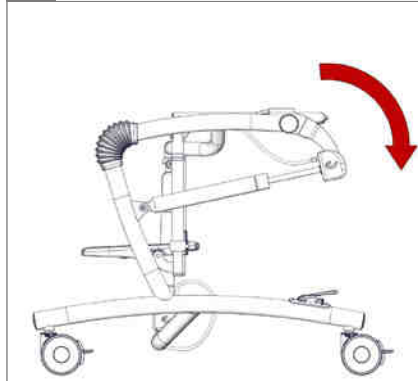
2.

 01

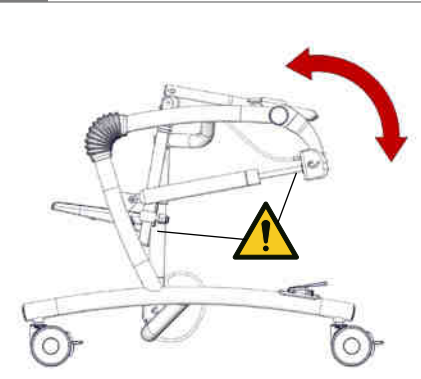
3.

 01

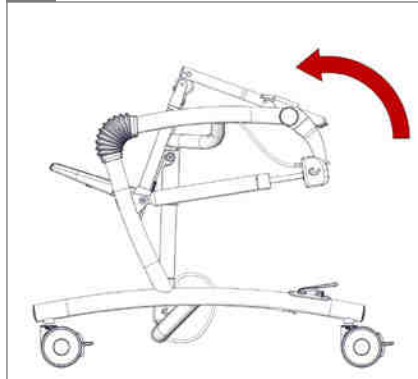
4.



5.

 01

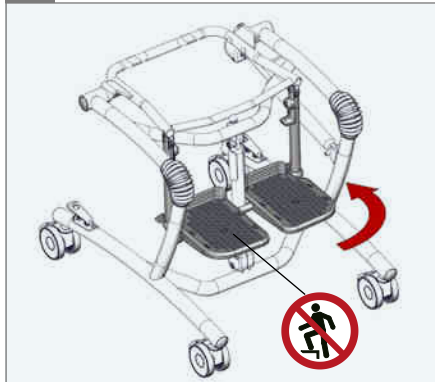
6.



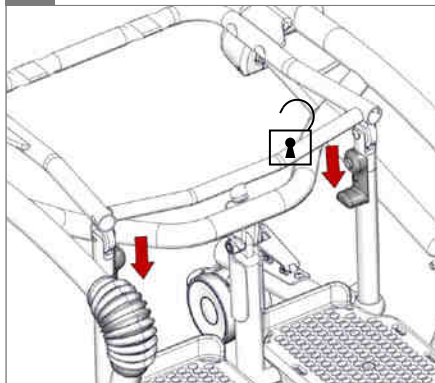


1.

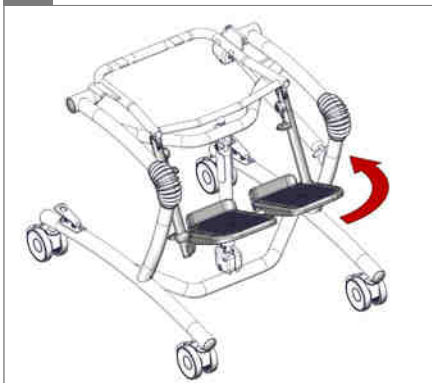
90° - 75°



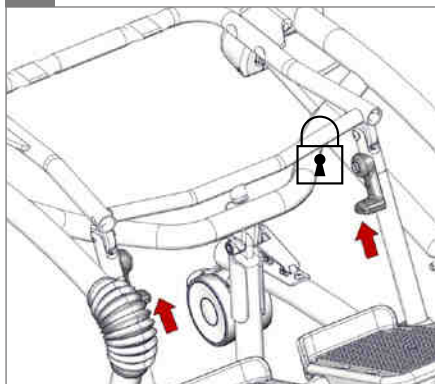
2.



3.

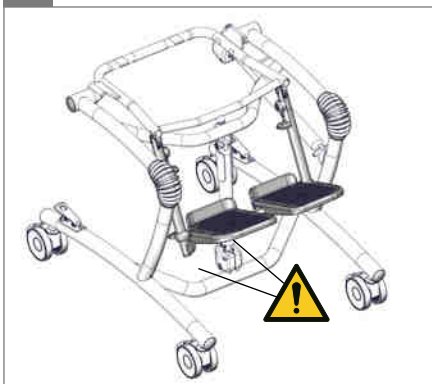


4.



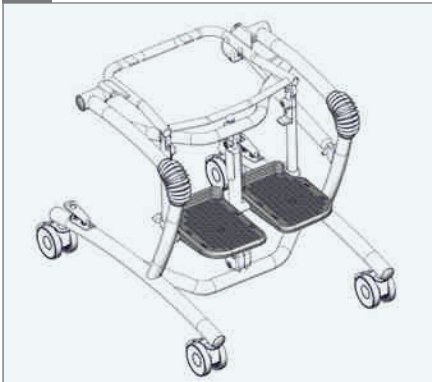
5.

01

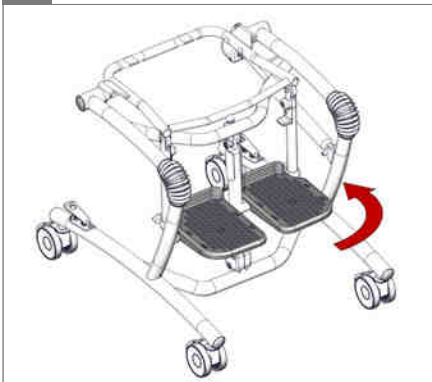




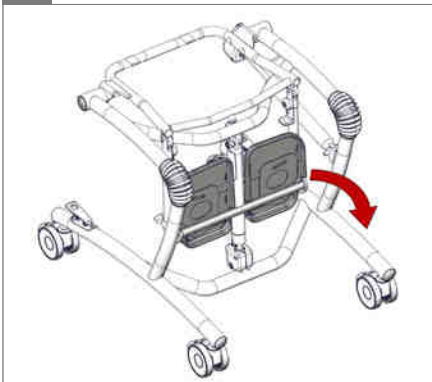
1.



2.

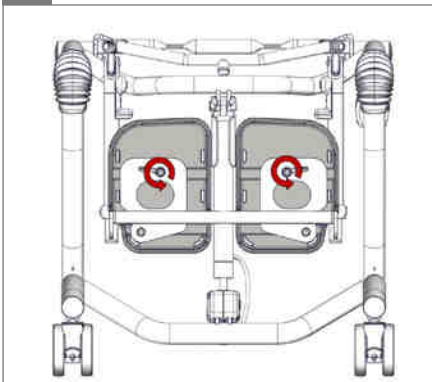


3.



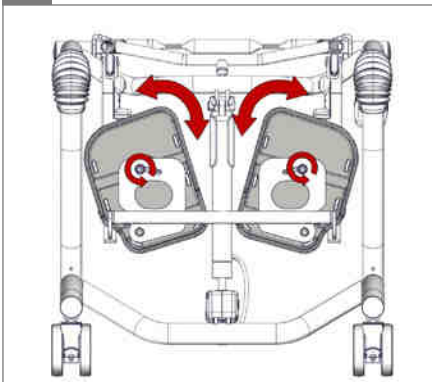
4.

◇ 4 mm ⚙ 10 mm



5.

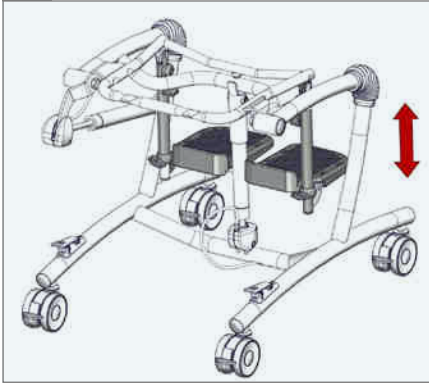
◇ 4 mm ⚙ 10 mm - 2,5 Nm



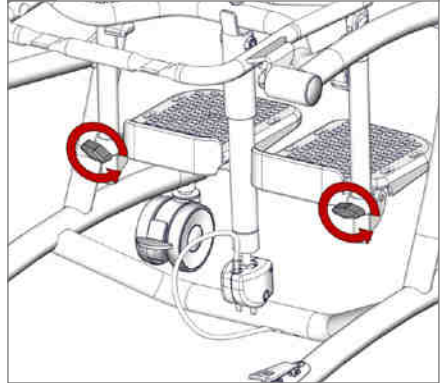




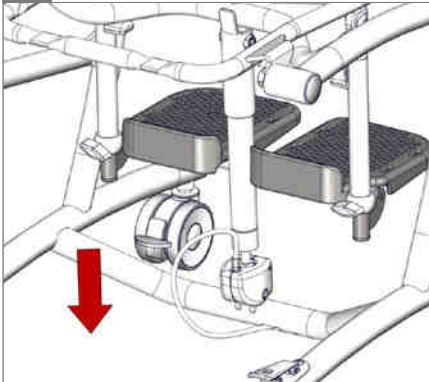
1.



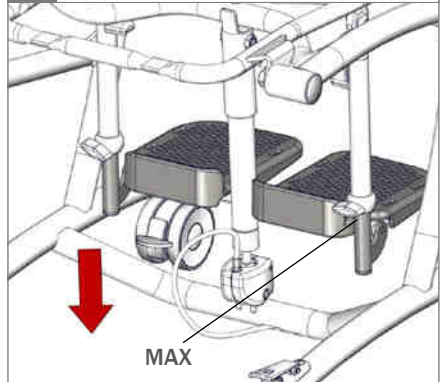
2.



3.

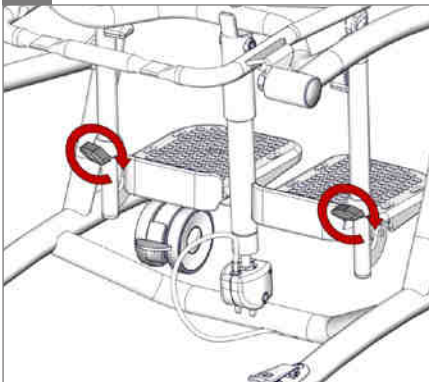


4.

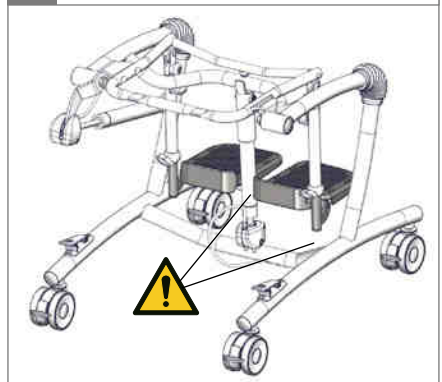


5.

2,5 Nm

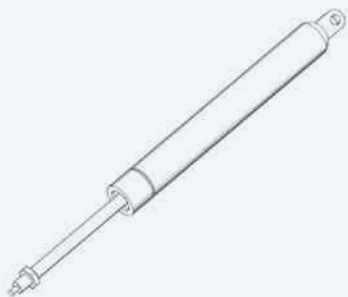


6.

 01



1.

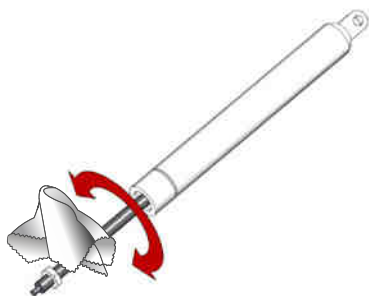


2.

17 mm



3.



4.

17 mm





1.



2.



3.



01



4.



5.

2,5 Nm



6.

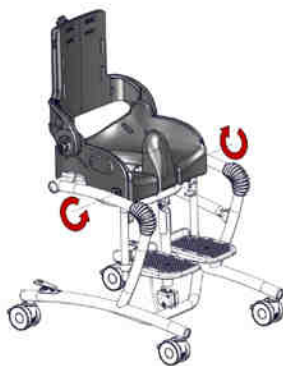




1.



2.



3.



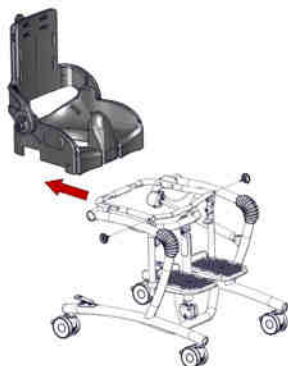
4.

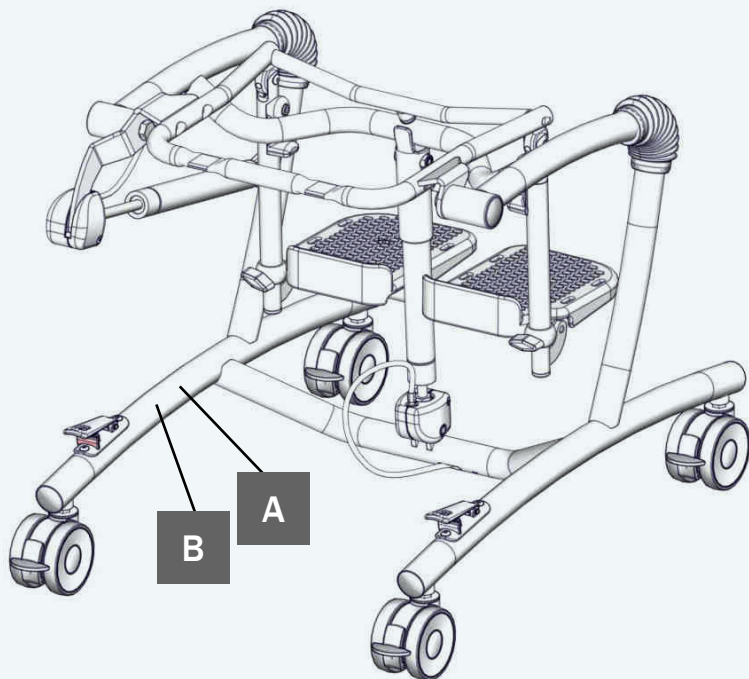


5.



6.





A

Date: YYYY-MM-DD Max.Load: XX KG  
 SN: XXXXXX DMR Ver.: XX  
 Art.No: XXXXXX  
 Product - Size X



(01)0570729530134(21)256829























B

**R82** 

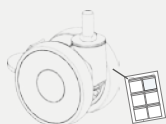
Parallevej 3  
 DK-8751 Gedved

R82.org  
 Made in Denmark

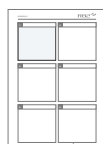
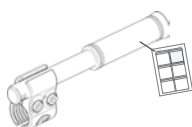
mm (inch)				
	 1	 2	 3	 4
 Frame width	500 mm (19½")	500 mm (19½")	570 mm (22¼")	570 mm (22¼")
 Frame length	640 mm 25"	640 mm 25"	760 mm (29½")	760 mm (29½")
 Frame height	530-740mm 20¾-28¾"	530-740mm 20¾-28¾"	530-740mm 20¾-28¾"	530-740mm 20¾-28¾"
 Weight, frame	11.5 kg (25,5 lb)	11.5 kg (25,5 lb)	12.5 kg (27,5 lb)	12.5 kg (27,5 lb)
 1  2  3  4				
 Height, frame with seat	860-1080 mm (33½-42")	920-1110 mm (35¾-43¼")	940-1170 mm (36¾-45¾")	1020-1200 mm (39¾-46¾")
 Seat height above floor	530-740mm 20¾-28¾"	530-740mm 20¾-28¾"	530-740mm 20¾-28¾"	530-740mm 20¾-28¾"
 Lower leg length	200-250 mm (7¼-9¾")	230-340 mm (9-13¼")	300-420 mm (11¾-16½")	300-420 mm (11¾-16½")
 Foot support angle	90° -> 75°	90° -> 75°	90° -> 75°	90° -> 75°
 Tilt in space	-5° -> 20° *	-5° -> 20°	-5° -> 20°	-5° -> 20°
 Weight, frame with seat	14 kg (31 lb)	14.5 kg (32 lb)	16.5 kg (36,5 lb)	17 kg (37,5 lb)
 Max. load	35 kg (77 lb)	50 kg (110 lb)	60 kg (132 lb)	70 kg (154 lb)
 Max. load, operating force	35 kg (77 lb)	35 kg (77 lb)	55 kg (121 lb)	55 kg (121 lb)
* The -5° tilt is obtainable at 550 mm seat height above floor				



9996097363



9996097632



9996097112

## ENGLISH

We appreciate your choice for a new product from R82 - a worldwide supplier of technical aids and appliances for children and teenagers with special needs. To fully benefit from the options offered by this product you must read this manual before use and save it for further reference. The main product will be delivered complete assembled.

### Intended use

The High-low Bath Frame is a toilet/bathing frame with user friendly angle and height adjustment. The High-low Bath Frame is designed for Flamingo seats and can be placed over the toilet or used freestanding with a pan. The frame comes in four sizes and is only for indoor use but can in an emergency be taken outside.

### Declaration of Conformity -

This product conforms to the requirements of the Medical Devices Directive (93/42/EEC). The CE mark must be removed when rebuilding the product, when used in combination with a product from another manufacturer or when using other than original R82 spare parts and fittings.

### R82 Warranty

R82 offers a 2-year warranty against defects in workmanship and materials and a 5-year warranty on breakage of the metal frame caused by defects in welds. The warranty would be adversely affected if the customer's responsibility of servicing and/or daily maintenance is not carried out according to the guidelines and intervals prescribed by the supplier and/or stated in the manual. For further information, we refer to the R82 homepage/download.

The warranty can only be sustained if the R82 product is in use in the same country where it was purchased and if the product can be identified by the serial number. The warranty does not cover accidental damage, including damage caused by misuse or neglect. The warranty does not extend to wearing parts e.g. tires or upholstery, which are subject to normal wear and tear and need periodic replacement.

The warranty is null and void if non-original R82 parts/accessories are used, or if the product has not been repaired or altered according to the guidelines and intervals prescribed by the supplier and/or stated in the instructions for use (IFU). R82 reserves the right to inspect the product being claimed for and the relevant documentation before agreeing to the warranty claim, and to decide upon whether to replace or repair the defective product. It is the customer's responsibility to return the item being claimed for under warranty to the address of purchase. The warranty is given by R82 or, subsequently, an R82 dealer.



## ENGLISH

## Symbols



For indoor use



Consult instructions

The latest versions of the instructions are always available on the R82 website and can be printed in larger sizes



Warning

This symbol appears in the User Guide along with a number referring to the instructions below. It draws attention to situations where the product or the user or carer's safety may be in danger

01 = Entrapment Hazards



Prohibition

Do not stand on the foot support



Prohibition

Incorrect lifting points, especially on stairs



Cleaning

Keep clean to maintain optimum function

Disposal - 

When a product reaches the end of its lifetime, it should be separated by material type so that the parts can be recycled or disposed of properly. If required, please contact your local dealer for a precise description of each material. Please contact your local authorities to be informed of the options available for recycling in an environmentally-friendly way.

## ENGLISH

### Safety

Signs, symbols and instructions placed on this product must never be covered or removed and must remain present and clearly legible throughout the entire lifetime of the product. Immediately replace or repair illegible or damaged signs, symbols and instructions. Contact your local dealer for instructions.

#### Caregiver

Read all of the instructions carefully before use and keep them for future reference. Incorrect use of this product may cause serious injury to the user

Always use the correct lifting techniques and aids for this purpose

Never leave the user unattended in this product. Ensure permanent supervision by an adult

Repair/replacements must only be made using new original R82 spare parts and fittings and carried out in accordance with the guidelines and service intervals prescribed by the supplier

If there is any doubt as to the continued safe use of your R82 product or if any parts should fail, stop using the product immediately and contact your local dealer as soon as possible

When the user is moved in the product from one room to another or to an outdoor area in case of an emergency, please ensure that the area is flat and without any obstacles

#### Environment

For the purpose of safety and comfort, always move the product away from the sun and allow to cool before use

Use this product on a level surface without any obstacles. Be aware of reduced maneuverability on slippery surface

#### User

If the user is close to the max. load limit and/or has a lot of involuntary movements, e.g. rocking, a larger size with a higher max. load or a different R82 product should be considered

#### Product

Carry out all positional adjustments on the product and accessories and ensure that all knobs, screws and buckles are securely fastened before use. Keep all tools out of the reach of children

Activate the brakes before placing the user into the product

Always activate the security locks on the height adjustment and angling pedals once the desired position is found

Adjust the frame height before placing a heavy user (50-70 kg)

Ensure the stability of the product is maintained before placing the user in it

We recommend you notify the user before angling the seat and back

Before moving the chair, with or without an user seated, please ensure the seat is in horizontal position, the back in vertical position. Do not move an angled seat

Ensure the castors are fully-functional and secure before use

Inspect the product and all of its accessories and replace any worn out parts before use

Do not expose the gas spring to pressure or high temperatures

Do not expose the piston rod to scratches etc. It is important to use a cloth or the like, if tools are used to adjust the gas spring

Be careful not to get your fingers trapped, when placing the product over the toilet

## ENGLISH

### Maintenance responsibilities table

Maintenance of a medical device is wholly the responsibility of the owner of that device. Failure to maintain a device in accordance with the instructions may invalidate the device's warranty. Furthermore, failure to maintain a device may compromise the clinical condition or safety of users and/or their caregivers.

Frequency	Description
1st Day	Read the instructions for use (IFU) carefully before use and store them in a safe place for future reference
	Store the enclosed tools on/at the product
Before every use	Use a cloth with warm water and a mild detergent to clean the product
	Visual inspection. Repair or replace any damaged or worn-out parts
	Check all fittings and buckles for signs of worn out parts
	Check that all castors are moving freely and that all wheel locks/brakes are easily activated
Daily	Use a dry cloth to clean the product
	Visual inspection. Repair or replace any damaged or worn-out parts
	Ensure that all fasteners are in place and fitted correctly
	Check all fittings and buckles for signs of worn out parts
	Be aware of any max mark indications before adjustment
Weekly	Check that all castors are moving freely and that all wheel locks/brakes are easily activated
	Wipe off any residue and dirt from the product using a cloth with warm water and a mild detergent/soap and dry before use
Monthly	All nuts and bolt on this product must be checked and tightened to avoid unnecessary failures
	Oil the swing-away parts. We recommend you use a professional lubricant system, e.g. Veidec Dry Lube
Annually (Service interval)	Inspect the frame for cracks or signs for worn-out parts and carry out annual service. Never use a product which appears to be substandard or faulty

### Machine wash

This product can be washed at 60° using a mild detergent for 15-20 minutes in a washing machine designed for medical devices. Use the machine's drying function to dry the product. Remove all accessories before washing the main product. Clean the accessories separately.

### Accessories and spare parts

The products from R82 can be supplied with a variety of accessories which comply with the needs of the individual user. Spare parts can be ordered on request. Find the specific accessories on our website or contact your local dealer for further information.

### Service interval

A detailed inspection of the product must be made every 12 months (every 6 months for heavy users) and every time the product is reissued for use. The inspection should be carried out by a technically competent person who has been trained in the use of the product. The lifetime of this product in normal use is 5 years if all maintenance and servicing is carried out in accordance with the manufacturer's instructions and demonstrably recorded.