

GB HIGH-LOW:V SZ. 1+2 INDOOR FRAME

The instructions below are for High-low:v.

The frame is heightadjustable from floor to tableheight. When preassembling the footpedal (A) the height is adjusted individually. The footpedal is equipped with a security lock (B). Turn the lock to the left and it is activated, turn it to the right and it is deactivated.

! Be careful when lowering this frame from the highest position to the lowest because of the risk of finger entrapment etc.

! If the the chair has to be used in the lowest position, the foot rest has to be removed first.

Further, angle the adaptor by lightly pressing down the handle (C) and pushing against the seat back.

! The handle is also equipped with a security knob. This must be deactivated before use.

! It is important to press down on the back while the seat is angled to ensure a slow angling.

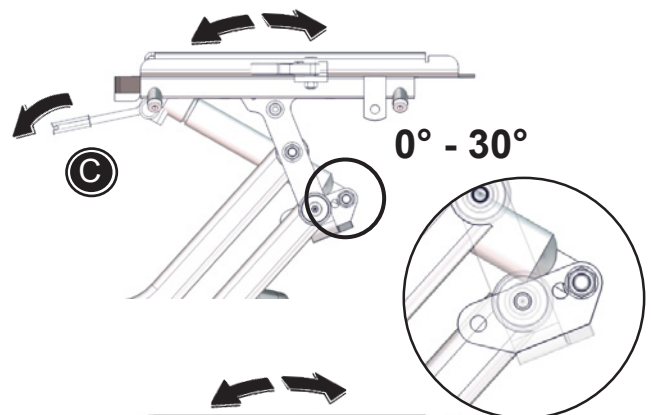
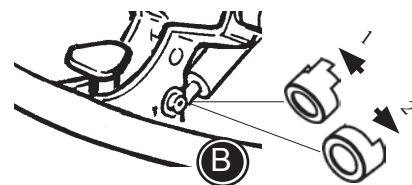
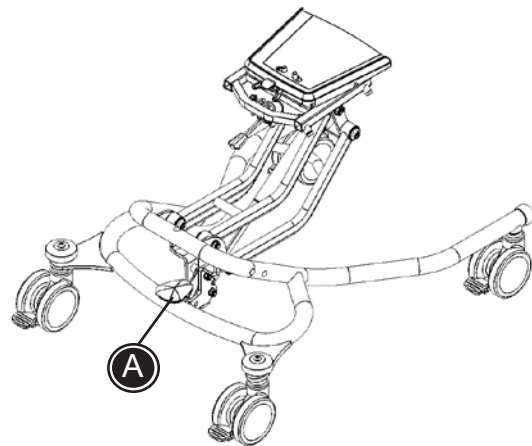
Let go of the handle and the seat is "locked" in the desired position. Activate the security knob.

All four wheels have brakes (D).

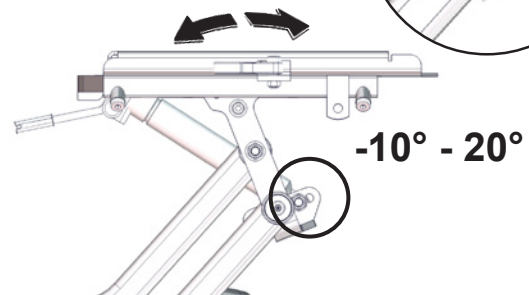
The height adjustment can be made both with or without a seat on the frame.

! The High-low:v indoor frame is only for indoor use.

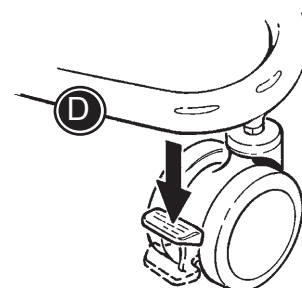
! The High-low:v indoor frame is not approved for transportation of children in vehicles.



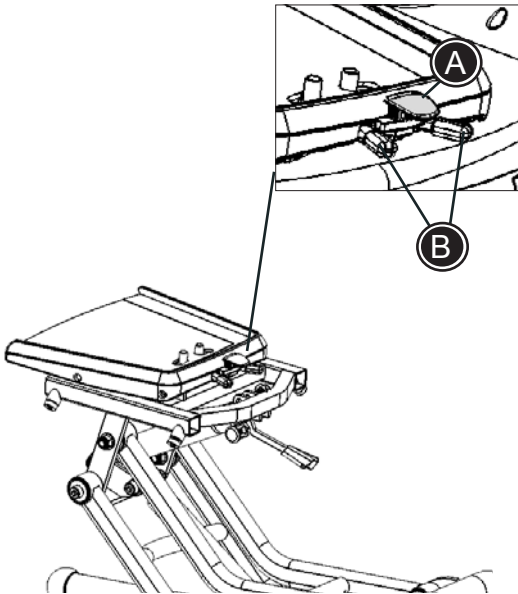
0° - 30°



-10° - 20°




G
B



GB (CONTINUED)
HIGH-LOW:V SZ. 1+2
INDOOR FRAME

Seat mounting / dismounting

 Make sure that the red security handle (A) on the back is lifted UP before mounting. Make sure that the red security handle (A) on the back is pushed DOWN after mounting.

- * Mount the seat onto the frame and make sure it clicks when pushed into place.
- * Push down the red handle (A).

To dismount:

- * Tip up the red handle (A).
- * Squeeze the two handles (B) together, pull the seat forwards and remove it from the frame.