

R82 Crocodile - E8000

Retail Price List/ Order Form

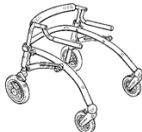




Account #: _____ Purchase Order No.: _____ Date: _____
 Contact: _____ Mark For: _____



Bill To:	Ship To:
Address:	Address:
City/State/Zip:	City/State/Zip:
Phone:	Phone:
Email	



Crocodile Standard Features:

- Adjustable Rear Drag Wheel
- Lightweight Durable Aluminum Frame (sz 1 & 2)
- Stable Steel & Aluminum Frame (sz 3)
- Upholstery & Cover for Top Frame
- On/Off Anti-Reverse Wheel Stop (Prevents Unit from Rolling Backwards)
- Easy to Fold
- Solid Front & Rear Wheels
- Swivel Front Wheels with Castor Locks
- Width & Height Adjustable Rotation Handles

Size 1 and 2	Size 3	<u>Standard Model</u>	<u>Size</u>	<u>Price</u>	<u>HCPCS</u>	<u>Part No.</u>
		<input type="checkbox"/> Crocodile Gait Trainer, Yellow	1	\$740	E8000	86801
		<input type="checkbox"/> Crocodile Gait Trainer, Orange	2	\$740	E8000	86802
		<input type="checkbox"/> Crocodile Gait Trainer, Black	2	\$740	E8000	86852
		<input type="checkbox"/> Crocodile Gait Trainer, Metallic Grey	3	\$1,220	E8000	86803

(A)	(B)	<u>Seat Options</u>	<u>Size</u>	<u>Price</u>	<u>HCPCS</u>	<u>Part No.</u>
		<input type="checkbox"/> Solid Seat, Yellow (A)	1	\$170		86820
		<input type="checkbox"/> Solid Seat, Orange (A)	2	\$170		86821
		<input type="checkbox"/> Solid Seat, Black (A)	2	\$170		86823
		<input type="checkbox"/> Solid Seat, Metallic Grey (A)	3	\$170		86863
		<input type="checkbox"/> Sling Seat (B)	1	\$135		86824
		<input type="checkbox"/> Sling Seat (B)	2	\$135		86825

(A)	(B)	<u>Pelvic Positioning</u>	<u>Size</u>	<u>Price</u>	<u>HCPCS</u>	<u>Part No.</u>
		<input type="checkbox"/> Pelvic Support (7" x 4.5") (A)	1, 2	\$130		86816
		<input type="checkbox"/> Pelvic Pad w/Lateral (3.5" x 4-3/4-9") (B)	1, 2	\$262		86808
		<input type="checkbox"/> Pelvic Pad w/Lateral (3.5" x 7 - 11 1/2") (B)	1, 2	\$262		86809
		<input type="checkbox"/> Hip Support, Set (C)	1, 2	\$235		86819
		<input type="checkbox"/> Lateral Strap for Pelvic Pad	1, 2	\$51		905011

(A)	(B)	<u>Trunk Positioning</u>	<u>Size</u>	<u>Price</u>	<u>HCPCS</u>	<u>Part No.</u>
		<input type="checkbox"/> Back Support, Angle & Width Adj. (A)	3	\$505		86886
		<input type="checkbox"/> Cross Bar for Back Support (B) *	3	\$97		86880
		<input type="checkbox"/> Back Support Strap (11 1/2" x 3") (C)	3	\$87		85490-1
		<input type="checkbox"/> Back Support Strap (13 1/2" x 4") (C)	3	\$87		85490-2

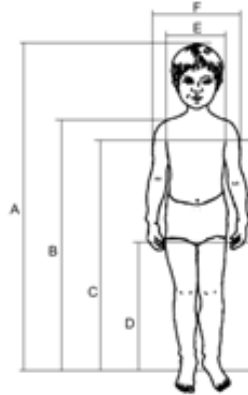
(B)* Required with size 3

		<u>Frame Options</u>	<u>Size</u>	<u>Price</u>	<u>HCPCS</u>	<u>Part No.</u>
(A)		<input type="checkbox"/> Forearm Support w/Handgrip, Set (A)	1	\$370		86858
		<input type="checkbox"/> Forearm Support w/Handgrip, Set (A)	2	\$370		86859
		<input type="checkbox"/> Forearm Support w/Handgrip, Set (A)	3	\$370		86860
	(B)	<input type="checkbox"/> Padded Forearm Positioner, Each (B)*	One Size	\$68		869370
		<input type="checkbox"/> Handle Knobs, Set (C)	One Size	\$51		86861
		<input type="checkbox"/> Anti-Tip Device, Swing-Away, Set (D)	1, 2	\$160		86815
(C)		<input type="checkbox"/> Anti-Tip Device, Swing-Away, Set (D)	3	\$160		86815-3S
	(D)	<input type="checkbox"/> Anti-Tip Device, Fixed, Set (E)	1, 2	\$77		86815-F
		<input type="checkbox"/> Anti-Tip Device, Fixed, Set (E)	3	\$77		86815-3F
(E)		<input type="checkbox"/> Handbrake (F) ^	1, 2	\$240		86834
	(F)	<input type="checkbox"/> Handbrake (F) ^	3	\$240		86873
		<input type="checkbox"/> Attendant Handle	1, 2	\$120		86866
(B)* Need quantity 2 for a set						
(F)^ When using handbrakes you will lose the anti-reverse stop						

		<u>Accessories</u>	<u>Size</u>	<u>Price</u>	<u>HCPCS</u>	<u>Part No.</u>
(A)		<input type="checkbox"/> Storage Bag 7" x 11" (A)	1, 2	\$71		86839
	(B)	<input type="checkbox"/> Storage Bag 11" x 14" (B)	3	\$210		86843

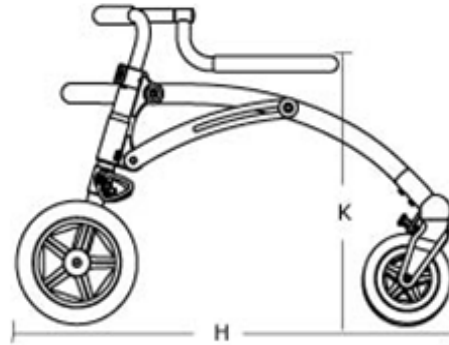
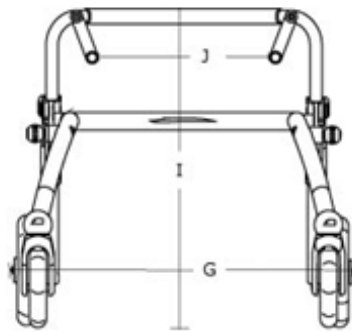
Configuration

- Crocodile
- Anti-tips
- Seat
- Hip Supports
- Arm Supports



A (Total Height) _____
 B (Shoulder Height) _____
 C (Chest Height) _____
 D (Buttock Height) _____
 E (Chest Width) _____
 F (Shoulder Width) _____
 Age _____
 Weight _____

Measurements



Crocodile

	Size 1 Inches	Size 2 Inches	Size 3 Inches
Width between handles (J)	10½ - 21½"	12½ - 23½"	13½ - 27¼"
Height - floor to handles (K)	15¼" - 27¼"	21½ - 34¼"	27½ - 39½"
Width, max (G)	24"	27"	27¼"
Length (H)	28"	32¾"	34¼"
Height - floor to top frame (I)	19 - 25¾"	25¼ - 32"	30¼"
Length, folded	28"	33½"	39½"
Height, folded	12"	10½"	11½"
Weight, standard	12 lbs.	14 lbs.	26½ lbs.
User height, maximum	44¾"	58½"	71"
User weight, maximum	66 lbs.	99 lbs.	176¼ lbs.
Turning radius	29½"	30¼"	35½"