

R82 Flamingo | Flamingo High-Low



Retail Price List/ Order Form

Account #: _____ Purchase Order No.: _____ Date: _____
 Contact: _____ Mark For: _____


Bill To:	Ship To:
Address:	Address:
City/State/Zip:	
Phone:	City/State/Zip:
Email	Phone:


Flamingo Standard Features:


- Size 1, 2, 3, 4
- 4 White Locking Castors
- Aluminum Frame
- 100% Waterproof Upholstery for Seat and Back
- Upholstery Available in Blue
- Height Adjustable and Foldable Frame
- Tilt in Space (+5° to -35°)
- Reclining Back
- Active Back (No Sides)
- Splash Guard - High Model


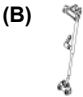
Flamingo High-Low Standard Features:

- Size 1, 2, 3, 4
- 4 White Locking Castors
- Foot Support
- Stainless Steel Frame
- 100% Waterproof Upholstery for Seat and Back
- Upholstery Available in Blue
- Height Adjustable Frame
- Tilt in Space
- Reclining Back
- Active Back (No Sides)
- Splash Guard - High Model

	<u>Flamingo Seat and Back</u>	<u>Size</u>	<u>Price</u>	<u>HCPCS</u>	<u>Part No.</u>
(A) 	<input type="checkbox"/> Flamingo Seat and Back, Blue (A)	1	\$550		880101-61
	<input type="checkbox"/> Flamingo Seat and Back, Blue (A)	2	\$550		880102-61
	<input type="checkbox"/> Flamingo Seat and Back, Blue (A)	3	\$550		880103-61
	<input type="checkbox"/> Flamingo Seat and Back, Blue (A)	4	\$600		880104-61

	<u>Flamingo Frame</u>	<u>Size</u>	<u>Price</u>	<u>HCPCS</u>	<u>Part No.</u>
(A) 	<input type="checkbox"/> Flamingo Frame w/out Footrest (A)	1	\$650		880201-NL
	<input type="checkbox"/> Flamingo Frame w/out Footrest (A)	2	\$650		880202-NL
	<input type="checkbox"/> Flamingo Frame w/out Footrest (A)	3	\$650		880203-NL
	<input type="checkbox"/> Flamingo Frame w/out Footrest (A)	4	\$750		880204-NL

	<u>Flamingo High-Low Bath Frame</u>	<u>Size</u>	<u>Price</u>	<u>HCPCS</u>	<u>Part No.</u>
(A) 	<input type="checkbox"/> High-Low Bath Frame w/ Footrest (A)	1	\$2,210		880411
	<input type="checkbox"/> High-Low Bath Frame w/ Footrest (A)	2	\$2,210		880412
	<input type="checkbox"/> High-Low Bath Frame w/ Footrest (A)	3	\$2,210		880413
	<input type="checkbox"/> High-Low Bath Frame w/ Footrest (A)	4	\$2,270		880414

	<u>Back Option</u>	<u>Size</u>	<u>Price</u>	<u>HCPCS</u>	<u>Part No.</u>
(A)  (B) 	<input type="checkbox"/> Back Extension (H: 4" x L: 9") (A)*	1, 2	\$150		880118-61
	<input type="checkbox"/> Back Extension (H: 4" x L: 9" - 10.2") (A)*	3, 4	\$150		880119-61
	<input type="checkbox"/> Mounting Rod for Back Extension	7.9"	\$46		880120
	<input type="checkbox"/> Back Reinforcement Kit (B)	3, 4	\$255		880155
	(A)* Requires Mounting Rod for Back Extension				

		Pelvic Positioning	Size	Price	HCPCS	Part No.
(A)	(B)	<input type="checkbox"/> Upholstery, Seat w/ Wide Sides, Blue (A)*	2	\$105		880166-61
		<input type="checkbox"/> Upholstery, Seat w/ Wide Sides, Blue (A)*	3	\$110		880167-61
		<input type="checkbox"/> Upholstery, Seat w/ Wide Sides, Blue (A)*	4	\$115		880168-61
		<input type="checkbox"/> Seat Infill for Seat, Blue (B)	1	\$55		880185-61
		<input type="checkbox"/> Seat Infill for Seat, Blue (B)	2	\$55		880186-61
		<input type="checkbox"/> Seat Infill for Seat, Blue (B)	3	\$60		880187-61
		<input type="checkbox"/> Seat Infill for Seat, Blue (B)	4	\$60		880188-61
		<input type="checkbox"/> Seat Belt w/ Plastic Lock	One Size	\$30		85100

(A)* Does not include Splashguard. Reduces sz 2 & 3 width by 2", and sz 3 by 3.5"

		Foot & Leg Positioning	Size	Price	HCPCS	Part No.
(A)	(B)	<input type="checkbox"/> Flamingo Foot Support (A)	1	\$200		880211
		<input type="checkbox"/> Flamingo Foot Support (A)	2	\$200		880212
		<input type="checkbox"/> Flamingo Foot Support (A)	3	\$200		880213
		<input type="checkbox"/> Flamingo Foot Support (A)	4	\$200		880214
		<input type="checkbox"/> Calf Support (H: 3.9" x L: 41.7") (B)	One Size	\$66		880199
		<input type="checkbox"/> Footrest Straps, Pair		\$56		85096

		Trunk Positioning	Size	Price	HCPCS	Part No.
(A)	(B)	<input type="checkbox"/> Bar, Straight, Stainless (A)**	3¾"	\$0		82569
		<input type="checkbox"/> Bar, Straight, Stainless (A)**	6¼"	\$0		82648
		<input type="checkbox"/> Cushion, Curved, Blue Each (B)**	A: 2½", B: 5¾"	\$105		6075409
		<input type="checkbox"/> Cushion, Curved, Blue Each (B)**	A: 2½", B: 6½"	\$105		6075408
(C)	(D)	<input type="checkbox"/> Cushion, Curved, Blue Each (B)**	A: 3¾", B: 7½"	\$105		6075407
		<input type="checkbox"/> Protection Pads, Each		\$92		89151
		<input type="checkbox"/> Swing-Away Bracket, Right, Each (C)**	A: 1¾", B: 4¾"	\$225		83300-R
		<input type="checkbox"/> Swing-Away Bracket, Left, Each (C)**	A: 1¾", B: 4¾"	\$225		83300-L
(E)	(F)	<input type="checkbox"/> Swing-Away Bracket, Right, Offset, Each (D)	A: 2¼", B: 5"	\$225		83500-R
		<input type="checkbox"/> Swing-Away Bracket, Left, Offset, Each (D)	A: 2¼", B: 5"	\$225		83500-L
		<input type="checkbox"/> Sides for Back w/ Upholstery, Blue (E)*	1	\$130		880111-61
		<input type="checkbox"/> Sides for Back w/ Upholstery, Blue (E)*	2	\$130		880112-61
		<input type="checkbox"/> Sides for Back w/ Upholstery, Blue (E)*	3	\$130		880113-61
		<input type="checkbox"/> Sides for Back w/ Upholstery, Blue (E)*	4	\$140		880114-61
		<input type="checkbox"/> Vest, Water-Proof Mesh (F)	0	\$200		89111-040
		<input type="checkbox"/> Vest, Water-Proof Mesh (F)	¾	\$200		89111-07540
		<input type="checkbox"/> Vest, Water-Proof Mesh (F)	1	\$200		89111-140
		<input type="checkbox"/> Vest, Water-Proof Mesh (F)	2	\$200		89111-240
		<input type="checkbox"/> H-Harness w/ Plastic Lock		\$60		85105

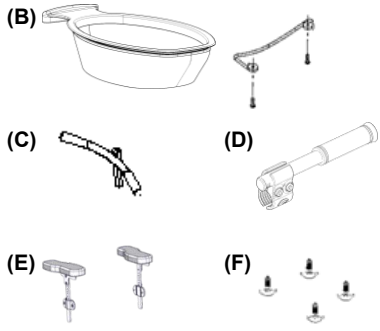
(A), (B), (C)** Required to complete Swing-Away Lateral Assy

(E)* Cannot be combined w/ Swing-Away Lateral Supports

		Head Support	Size	Price	HCPCS	Part No.
(A)	(B)	<input type="checkbox"/> Head Support No. 1, Blue PU (A)		\$205		6071000
		<input type="checkbox"/> Head Support No. 2, Blue PU (B)		\$205		6072000
(C)	(D)	<input type="checkbox"/> Head Support No. 3, Blue PU (C)		\$205		6073000
		<input type="checkbox"/> Head Support No. 4, Blue PU (D)		\$205		6074000
(E)		<input type="checkbox"/> Turtle Bar System, Short (E)	5.1"	\$230		98619-24

		Frame Options	Size	Price	HCPCS	Part No.
(A)		<input type="checkbox"/> Commode Pan w/ Holder for Flamingo (A)	1	\$120		880121
		<input type="checkbox"/> Commode Pan w/ Holder for Flamingo (A)	2	\$120		880122
		<input type="checkbox"/> Commode Pan w/ Holder for Flamingo High-low (A)	1	\$120		880121-HL
		<input type="checkbox"/> Commode Pan w/ Holder for Flamingo High-low (A)	2	\$120		880122-HL
		<input type="checkbox"/> Commode Pan w/ Holder for Flamingo & High-Low (A)	3	\$120		880123
		<input type="checkbox"/> Commode Pan w/ Holder for Flamingo & High-Low (A)	4	\$120		880124

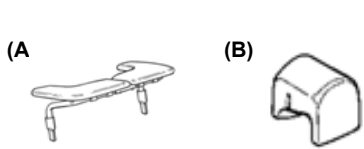
Frame Options Continued



	<u>Size</u>	<u>Price</u>	<u>HCPCS</u>	<u>Part No.</u>
<input type="checkbox"/> Potty Ring w/ Holders (B)*	1	\$130		880121-PR
<input type="checkbox"/> Potty Ring w/ Holders (B)*	2	\$130		880122-PR
<input type="checkbox"/> Potty Ring w/ Holders (B)*	3	\$130		880123-PR
<input type="checkbox"/> Potty Ring w/ Holders (B)*	4	\$130		880124-PR
<input type="checkbox"/> Push Brace (C)	One Size	\$95		880110
<input type="checkbox"/> Push Handle for Flamingo High-Low (D)	1, 2	\$85		880110-HL
<input type="checkbox"/> Push Handle for Flamingo High-Low (D)	3, 4	\$85		880110-HLL
<input type="checkbox"/> Single Post Armrest (L: 9"), Set (E)	One Size	\$150		880152
<input type="checkbox"/> Suction Cups for Seat (F)	One Size	\$135		880150

(B)* Potty ring required for use over the commode

(E)* Armrest cannot be used together w/ Sides for Back - 88011X-X



Accessories

	<u>Size</u>	<u>Price</u>	<u>HCPCS</u>	<u>Part No.</u>
<input type="checkbox"/> Swing-Away Armrest/Tray, Blue (A)	1	\$200		880131-61
<input type="checkbox"/> Swing-Away Armrest/Tray, Blue (A)	2	\$200		880132-61
<input type="checkbox"/> Swing-Away Armrest/Tray, Blue (A)	3	\$200		880133-61
<input type="checkbox"/> Swing-Away Armrest/Tray, Blue (A)	4	\$200		880134-61
<input type="checkbox"/> Splashguard, Low Model, Blue (B)	1	\$38		880195-61
<input type="checkbox"/> Splashguard, Low Model, Blue (B)	2, 3, 4	\$38		880196-61

IMPORTANT: No returns or exchanges of hygiene products

Prices in USD & is subject to change w/out notice

Effective: 1/10/2020

Rev 5

Flamingo Configuration

- Flamingo/Flamingo High-low
- Head support
- Push handle/push brace
- Side supports
- Arm rest/tray
- Commode pan/potty ring
- Vests and belts



A (Back height) _____

B (Arm height) _____

C (Lower leg length) _____

D (Seat depth) _____

E (Chest width) _____

F (Seat width) _____

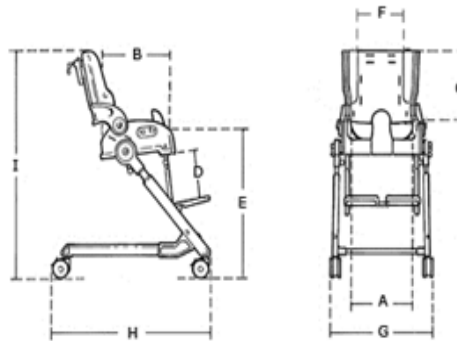
G (Height from seat to top of head) _____

H (Shoulder width) _____

Age _____

Weight _____

Measurements



	Size 1 Inches	Size 2 Inches	Size 3 Inches	Size 4 Inches
Seat width (A)	9¼"	11"	12½"	13¼"
Seat depth (B)	9¾"	11¼"	13¾"	15½"
Back height (C)	13¾"	14¾"	16½"	18¼"
Lower leg length (D)	18" - 26"	25" - 35"	30" - 40"	30" - 40"
-	7" - 10"	9¾" - 13½"	11¾" - 15½"	11¾" - 15½"
Seat height (E)	50" - 60"	50" - 60"	50" - 60"	50" - 60"
-	19½" - 23½"	19½" - 23½"	19½" - 23½"	19½" - 23½"
Back width (F)	7¾"	8½"	10¼"	11½"
Width, frame (G)	17"	18"	19¼"	21"
Length, frame (H)	26"	26"	26"	26"
Height, frame w/seat (I)	33½"	35"	36½"	37"
Seat height, folded	9½"	10"	10½"	10½"
Seat length, folded	14½"	15½"	17"	18½"
Frame height, folded	8"	8"	8"	8"
Frame length, folded	29"	29"	29P	29"
Weight	24 lbs.	29 lbs.	31 lbs.	33 lbs.
Max. Load/user weight	77 lbs.	110 lbs.	132 lbs.	154 lbs.
Angling				
Seat		-15°-+35°	Back	-90°-30°
Foot support bar			90°-60°	

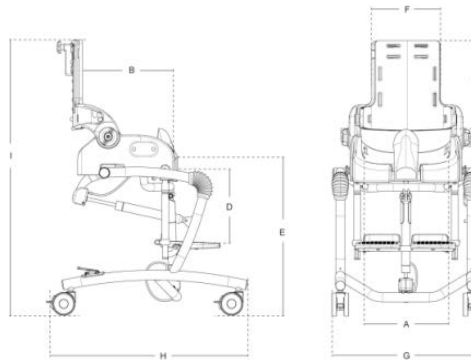
Flamingo High-Low Configuration

- Flamingo/Flamingo High-low
- Head support
- Push handle/push brace
- Side supports
- Arm rest/tray
- Commode pan/potty ring
- Vests and belts



A (Back height) _____
 B (Arm height) _____
 C (Lower leg length) _____
 D (Seat depth) _____
 E (Chest width) _____
 F (Seat width) _____
 G (Height from seat to top of head) _____
 H (Shoulder width) _____
 Age _____
 Weight _____

Measurements



	Size 1 Inches	Size 2 Inches	Size 3 Inches	Size 4 Inches
Seat width (A)	9¼"	11"	12½"	13¼"
Seat depth (B)	9¾"	11¼"	13¾"	15½"
Back height (C)	13¾"	14¾"	16½"	18¼"
Lower leg length (D)	7¼" - 9¾"	9" - 13¼"	11¼" - 16½"	11¼" - 16½"
Seat height above floor (E)	20¾" - 28¾"	20¾" - 28¾"	20¾" - 28¾"	20¾" - 28¾"
Back width (F)	7¼"	8½"	10¼"	11"
Frame width (G)	19½"	19½"	22¼"	22¼"
Frame length (H)	25"	25"	29½"	29½"
Total height (I)	33½" - 42"	35¾" - 43¼"	36¾" - 45¾"	39¾" - 46¾"
Seat, total width	13¾"	14¾"	16¾"	18¾"
Seat, total depth	10¼"	12¼"	14"	16½"
Seat, total height	15½"	16¾"	18¾"	19¾"
Back angling	-90°-+30°	-90°-+30°	-90°-+30°	-90°-+30°
Tilt in space	-5°-+20° *	-5°-+20°	-5°-+20°	-5°-+20°
Foot support angle	90°-75°	90°-75°	90°-75°	90°-75°
Weight, total	31 lbs.	32 lbs.	36½ lbs.	37½ lbs.
Weight, frame	25½ lbs.	25½ lbs.	27½ lbs.	27½ lbs.
Weight, seat	5½ lbs.	6½ lbs.	9 lbs.	10 lbs.
Max. load, total	77 lbs.	110 lbs.	132 lbs.	154 lbs.
Max. load, seat	77 lbs.	110 lbs.	132 lbs.	154 lbs.
Max. load, operating force	77 lbs.	77 lbs.	121 lbs.	121 lbs.

* The -5° tilt is obtainable at 55 cm (19½") seat height above floor