



**Installation & Operations Manual for all  
Aluminum & Carbon Series Back Supports with  
2 Point PRO Mounting Hardware**



### Tools Required for Mounting Hardware Installation & Adjustment

#### Hardware Installation:

1. 4mm allen wrench

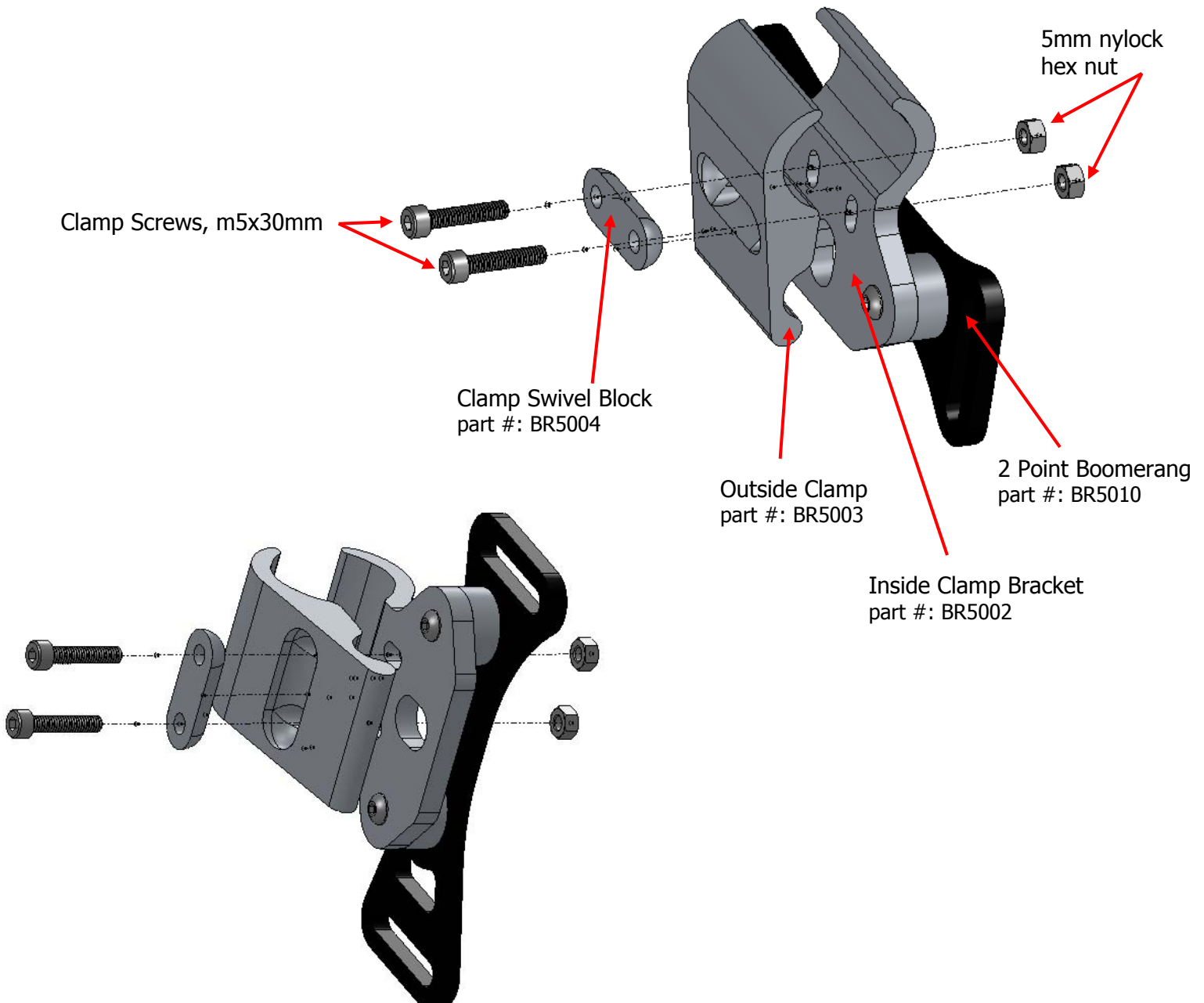
#### Angle & Depth Adjustment:

1. 4mm allen wrench

#### Width Adjustment:

1. 4mm allen wrench
2. 10mm wrench

### 2 Point PRO Mounting Hardware Assembly



### Hardware Installation

**STEP 1:** Remove the existing wheelchair back according to the original manufacturer's instructions.

**STEP 2:** Visually determine the desired height of the back support.



**STEP 3:**  
Mark on the wheelchair back posts the desired location of mounting hardware.



**STEP 4:**  
Attach mounting hardware to the left and right side of the wheelchair back post tubing

### Mounting Hardware Installation



#### **STEP 5:**

Attach the 2 Point PRO mounting hardware to the wheelchair back posts. Mounting hardware should be equal heights on the left and right sides and **parallel** to the seat frame.

- A. Loosen the clamp screws with a 4mm hex wrench
- B. Attach and align mounting hardware to wheelchair back post.
- C. Tighten clamp screws, but allow for movement so you can adjust when attaching to U-Blocks

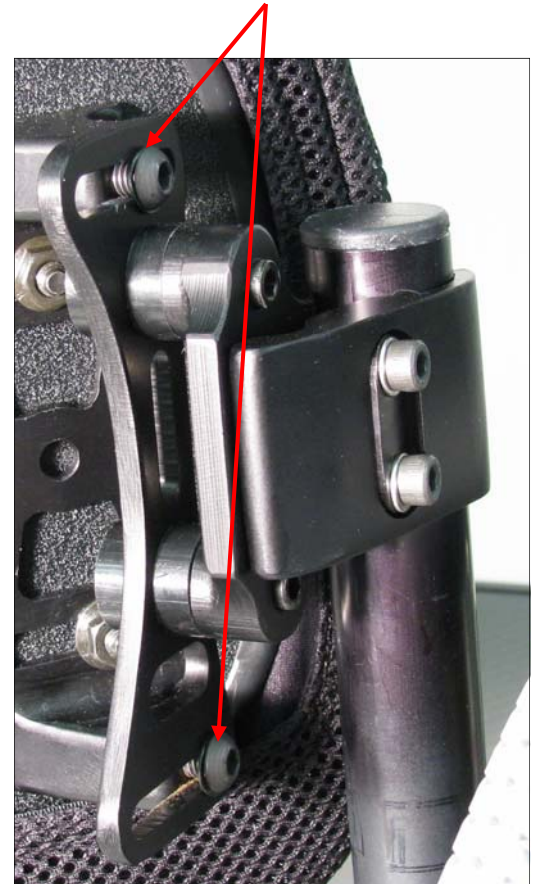


### Hardware Installation

#### STEP 6:

Attach each side mounting hardware to left and right side U block with the four m6 screws and internal locking washers.

Note: It is very important that the included internal lock washers be used at all four attachment points



#### STEP 7:

Adjust angle and depth to desired user preferences as per page 6.

#### STEP 8:

After final adjustment is complete, tighten all screws to the proper torque specification. This will ensure secure placement and safe operation.



### Angle, Depth & Width Adjustment

#### Angle Adjustment

Step 1:  
On each side of the hardware, loosen the top and bottom screws with a 4mm allen wrench.

Step 2:  
Adjust back support to achieve desired user angle.

Step 3:  
After final adjustments are complete, tighten all screws to the proper torque specification.



#### Depth Adjustment

Step 1:  
On each side of the hardware, loosen the top and bottom screws with a 4mm allen wrench.

Step 2:  
Slide back support forward or aft to achieve desired users depth.

Step 3:  
After final adjustments are complete, tighten all screws to the proper torque specification.



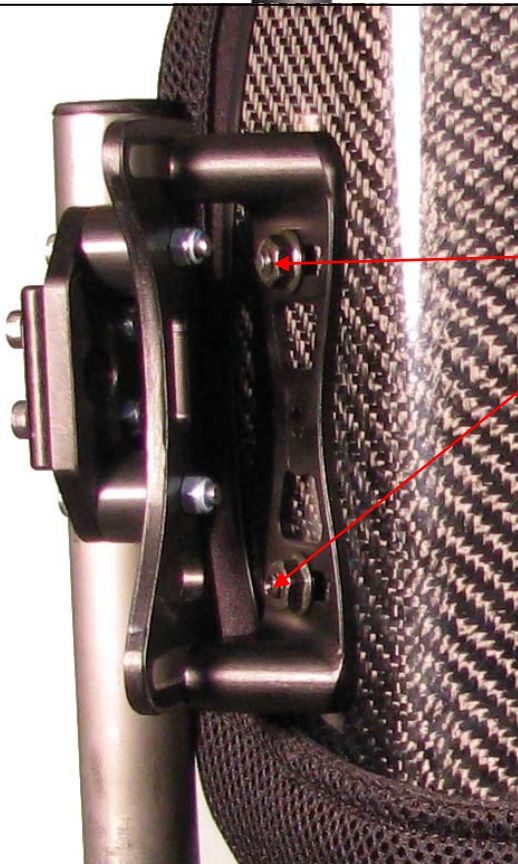
#### Width Adjustment

Step 1:  
Remove fabric cover from back support.

Step 2:  
On each side of the hardware, loosen the top and bottom screws (as shown), using a 4mm allen wrench and a 10mm wrench.

Step 3:  
Adjust hardware inward or outward to achieve required mounting hardware width.

Step 4:  
After final adjustments are complete, tighten all screws to the proper torque specification.





# Installation & Operations Manual

## 2 Point PRO Mounting Hardware

### Posterior, Superior, Iliac Spine (PSIS)

When positioning an ADI back, the interior portion of the back support should be positioned to make contact at the PSIS to provide optimal pelvic support and trunk control.

### Cleaning of ADI back

- Use a soft cloth to clean back shell.
- Hand wash foam pad cover with mild soapy water or detergent, and let dry.
- Foam pad should not get wet.

**Note:** Institutions MUST clean and disinfect product between multiple patient uses.

**Do** NOT wash or machine dry.

**Do** NOT hand wash in water temperatures above 160 F (70 C).

**Disinfection-** Wipe gently with a cloth dampened with a household disinfectant. Allow foam to air dry thoroughly. **DO NOT** immerse the foam in water.

### Return/ Repair Policy

All returns require prior authorization from ADI and are subject to a restocking charge.

### Back Supports by ADI

#### About ADI Backs:

Ergonomically designed, ADI Backs promote an upright posture, easing the strain on the lower back, by providing support at the posterior pelvis and trunk.



#### CAUTION

- If you are able to fold the back canes, the back should be in the folded position when transporting the wheelchair, especially before loading for air travel.
- Protect all backs from blunt forces that may cause damage and/or breakage.
- **Always** check all mounting hardware, making sure each fastener is properly tighten before using the back support.
- Do not attach the ADI backs with the user in the chair.
- Do not use ADI backs during vehicle transportation.
- ADI backs may not fit every chair; please consult your clinician or supplier providing your equipment.
- Only use the hardware supplied with the ADI back on the ADI back; do not substitute any other screws, brackets, or clamps. Use of alternative hardware or mounting brackets voids all warranty.
- Do not wash in water temperatures above 160F (60C).
- 250 lbs. (113.40 kg) user weight limit.
- Altering an ADI back in any way and / or improper installation will void warranty.





# Installation & Operations Manual

## 2 Point PRO Mounting Hardware

### Limited 12 - Month Warranty

#### **Hard Goods (product made from carbon fiber or metals)**

Warranty covers any defects in materials or workmanship of its products for **one year** from the original invoice date.

#### **Soft Goods (product made from fabric, foam or plastics)**

Warranty covers any defects in materials or workmanship of its products for **six month** from the original invoice date.

A Return Authorization and call tag will be issued. This number must be referenced on the original invoice and included with the product as well as written on the package being returned. Warranty items may be returned for repair or exchange for the same item. ADI reserves the right to determine the condition of returned items.

**NOTE:** Any substitutions of supplied hardware void the warranty. Misuse of items and “acts of nature” (e.g. flood, tornado, etc.) are not covered by the warranty.