



Alber USA LLC  
1005 International Drive  
Oakdale



# e-fix<sup>®</sup> E35 E36 Plus

ORDER     QUOTATION

- Standard
- Optional field
- Mandatory fields:<sup>1)</sup>

**Invoice address**

Customer No.

PO No.

Company

Street

City  ST  ZIP

**Shipping address** (if different from invoice address)

Company

Street

City  ST  ZIP

**Type of order**

Dealer installation \*Pending service dept approval\*

Installation by Alber USA in factory    \$ 45.00

---

e-fix E35 (260 lbs max.)    \$ 7,295.00

Battery pack, 6 Ah (216 Wh)    \$ 0.00  
Standard for E35

Battery pack, 7.5 Ah (270 Wh) (additional charge)    \$ 300.00

Size of drive wheel     22"  
                                   24"

**Order marked for**

---

e-fix E36 Plus (350 lbs max.)    \$ 7,895.00

Battery pack, 7.5 Ah (270 Wh)    \$ 0.00  
Standard for E36

Battery pack, 6 Ah (216 Wh) (price reduction)    - \$ 300.00

Size of drive wheel     24"

**\*\*REQUIRED\*\***

**Wheelchair details**

Wheelchair manufacturer (ex. Invacare)

Model (ex. Myon)

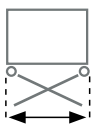
Year of construction

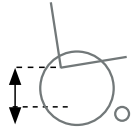
Equipped with vehicle retention system

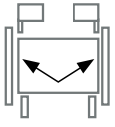
EZ Lock     Tiedown

Amputee axle plate

**\*\*REQUIRED\*\***

  
Seat width (seat tube measured on the outside)  inch

  
Rear seat height  inch

  
Standard control unit mounting     Left (instead of right)     Right

**\*\*DRUM BRAKES MUST BE REMOVED!\*\***

**Important hardware**

Wheelchair mounting bracket    \$ 0.00  
\*Possible additional fee for brackets dependent on chair – contact Alber USA with questions\*

Anti-tippers with jack-up function    (pair) \$ 400.00  
\*Not compatible with all wheelchairs – contact Alber USA with questions\*

**\*\*REQUIRED\*\***

Armrest style

Tubular or swing away

Desk or full pad style:     With transfer loop     Without transfer loop

No user access (if attendant mount)

**Comments** (mounting, delivery, etc.)



# e-fix<sup>®</sup> E35 E36 Plus

# 2

- Standard
- Optional field
- Mandatory fields:**  
The order cannot be processed without details!

### Control unit accessories

- Swing away arm \$ 495.00
- Protection bumper \$ 99.00
- Attendant mount (for standard controller) \$ 295.00

- |                                           |                                                     |
|-------------------------------------------|-----------------------------------------------------|
| <b>Side:</b>                              | <b>Style</b>                                        |
| <input checked="" type="checkbox"/> Right | <input checked="" type="checkbox"/> Push handle     |
| <input checked="" type="checkbox"/> Left  | <input checked="" type="checkbox"/> Stroller handle |

### Joystick option

- Option special, 40 mm/1.57 inch \$ 55.00
- Option soft, 70 mm/2.76 inch \$ 55.00
- Option T-handle \$ 178.00

### Extension for speed preselection (larger speed dial)

- Extension for speed preselection \$ 76.00

### Remote interface for external devices and controls

- Opti-Box (Remote interface) \$ 562.00
- Opti-Box bracket \$ 154.00

### Intuitive attendant control

- Intuitive attendant control unit (Push/Brake aid) \$ 995.00
- Opposing push handle \$ 115.00
- Intuitive control mounting hardware \$ 285.00

- |                                           |                                                     |
|-------------------------------------------|-----------------------------------------------------|
| <b>Side:</b>                              | <b>Style:</b>                                       |
| <input checked="" type="checkbox"/> Right | <input checked="" type="checkbox"/> Push handle     |
| <input checked="" type="checkbox"/> Left  | <input checked="" type="checkbox"/> Stroller handle |

### Battery accessories

- Spare battery, 6.0 Ah (216 Wh) \$ 950.00
- Spare battery, 7.5 Ah (270 Wh) \$ 1,250.00
- Transport bag for spare battery \$ 110.50
- Attachment set for transport bag \$ 38.50
- Spare battery charger \$ 435.00

### Spoke covers for drive wheels

- Alber logo, 24" (pair) \$ 252.00
- Alber logo, 22" (pair) \$ 252.00
- Transparent, 24" (pair) \$ 252.00
- Transparent, 22" (pair) \$ 252.00

### Extension for coupling ring

- Set for one drive wheel \$ 205.50
- Set for two drive wheels \$ 400.50

### Switches (Opti-Box required)

- External on/off switch – Buddy button \$ 203.50
- Speed stop/Speed limit switch \$ 130.00  
(need for standing wheelchairs)

### External charging socket

- External charger socket incl. clip \$ 188.50

Contact Name:  Email:

Date:  /  /  Signature of ordering party: