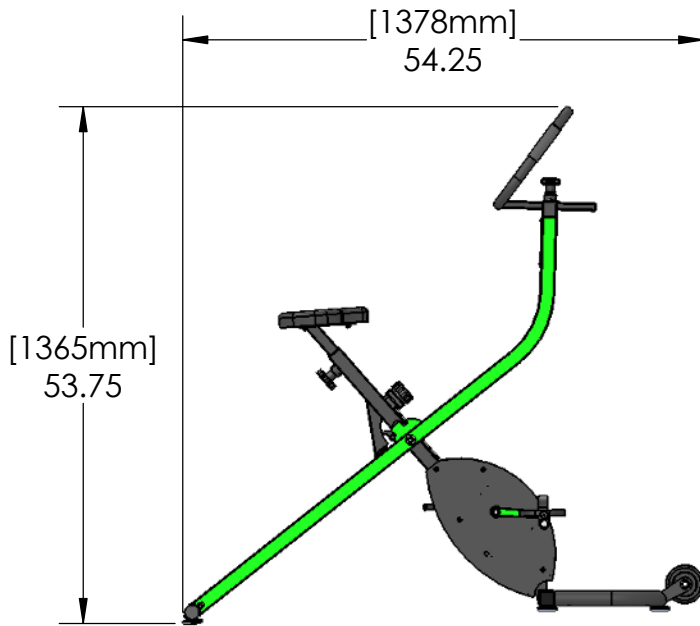
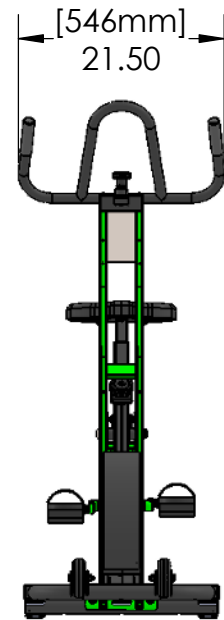


TIDALWAVE POOL BIKE

PATENT PENDING



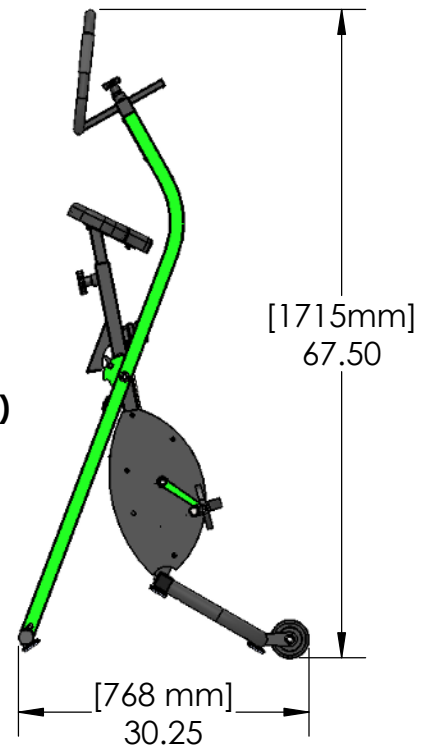
SIDE VIEW



FRONT VIEW

SPECIFICATIONS

- FRAME: TYPE 304 & 316 STAINLESS STEEL**
- FINISH: POLYESTER POWDER COAT - BLACK WITH ACCENT COLOR**
- FLYWHEEL: 316 STAINLESS STEEL**
- CRANK: STAINLESS STEEL ROD WITH BRONZE BUSHINGS**
- STORAGE: QUICK-FLIP LATCH FOR EASY STORAGE**
- SEAT: 5 HEIGHT ADJUSTMENT SETTINGS**
- POOL DEPTH: 3-5 (0.9-1.5 METERS) FEET FOR OPTIMAL USE**
- WEIGHT: 55LBS (25kg)**
- WEIGHT CAPACITY: 300LBS (136kg)**
- WARRANTY: 3 YEARS FOR FRAME (NOT INCLUDING POWDER COAT)**
- 1 YEAR FOR PARTS & TRANSMISSION**

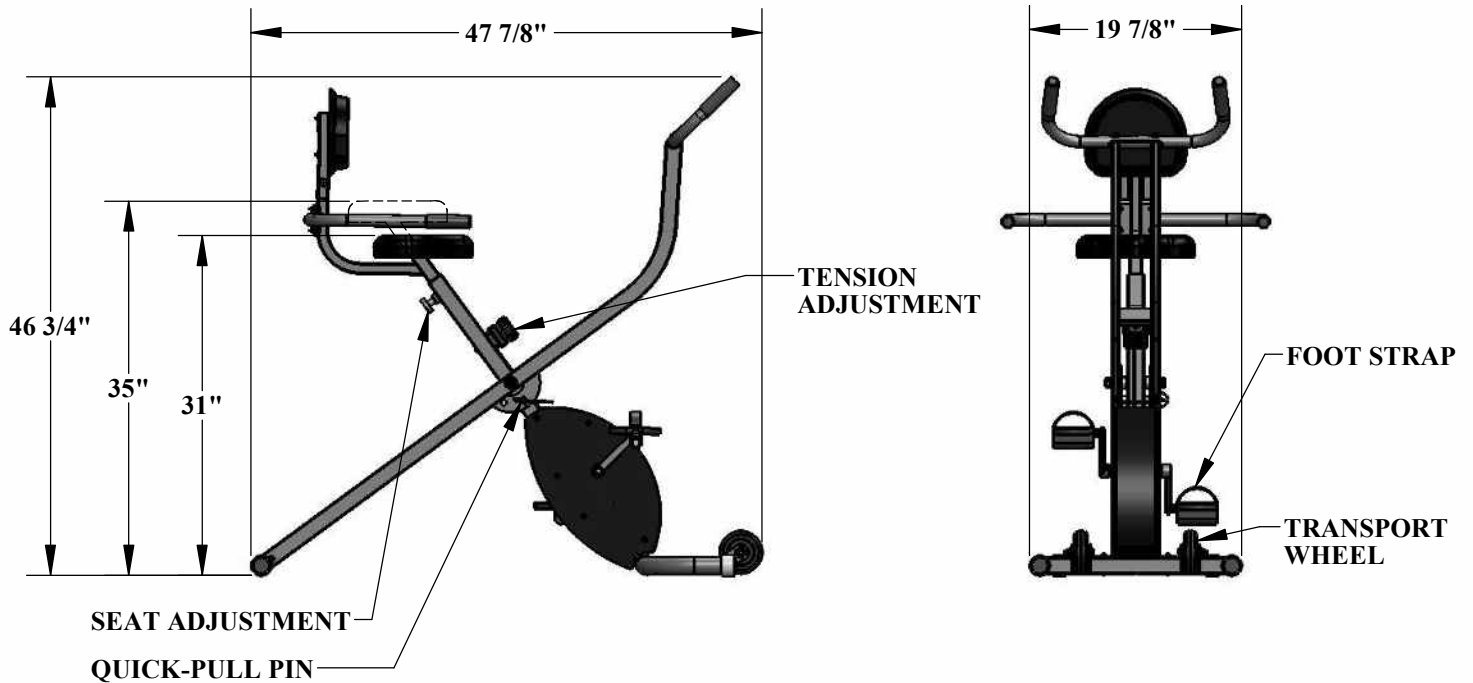


NOTE:
*SPECIFICATIONS ARE SUBJECT TO CHANGE WITHOUT NOTICE

PRODUCT:	F-TWPB	
DWG #:	F-TWPB-1	
SCALE:	1:20	DATE: 12/14/15
DRAWN BY:	KR	REVISION: B

SHOCKWAVE POOL BIKE - RECUMBENT SEAT OPTION

PATENT PENDING



SPECIFICATIONS

- FRAME: TYPE 304 & 316 STAINLESS STEEL
- FINISH: POLYESTER POWDER COAT
- GEARS: PLASTIC
- RESISTANCE: 6 LEVELS
- CRANK: STAINLESS STEEL ROD WITH BRONZE BUSHINGS
- HANDLEBARS: ERGONOMICALLY DESIGNED FOR MAXIMUM COMFORT
- STORAGE: REMOVE QUICK-PULL PIN FOR EASIER STORAGE
- SEAT: 5 LEVELS OF ADJUSTABILITY
- POOL DEPTH: 3-5 FEET FOR OPTIMAL USE
- WEIGHT: 40LBS (18kg)
- WEIGHT CAPACITY: 300LBS (136kg)
- WARRANTY: 3 YEARS FOR FRAME (NOT INCLUDING POWDER COAT)
- 1 YEAR FOR PARTS & TRANSMISSION



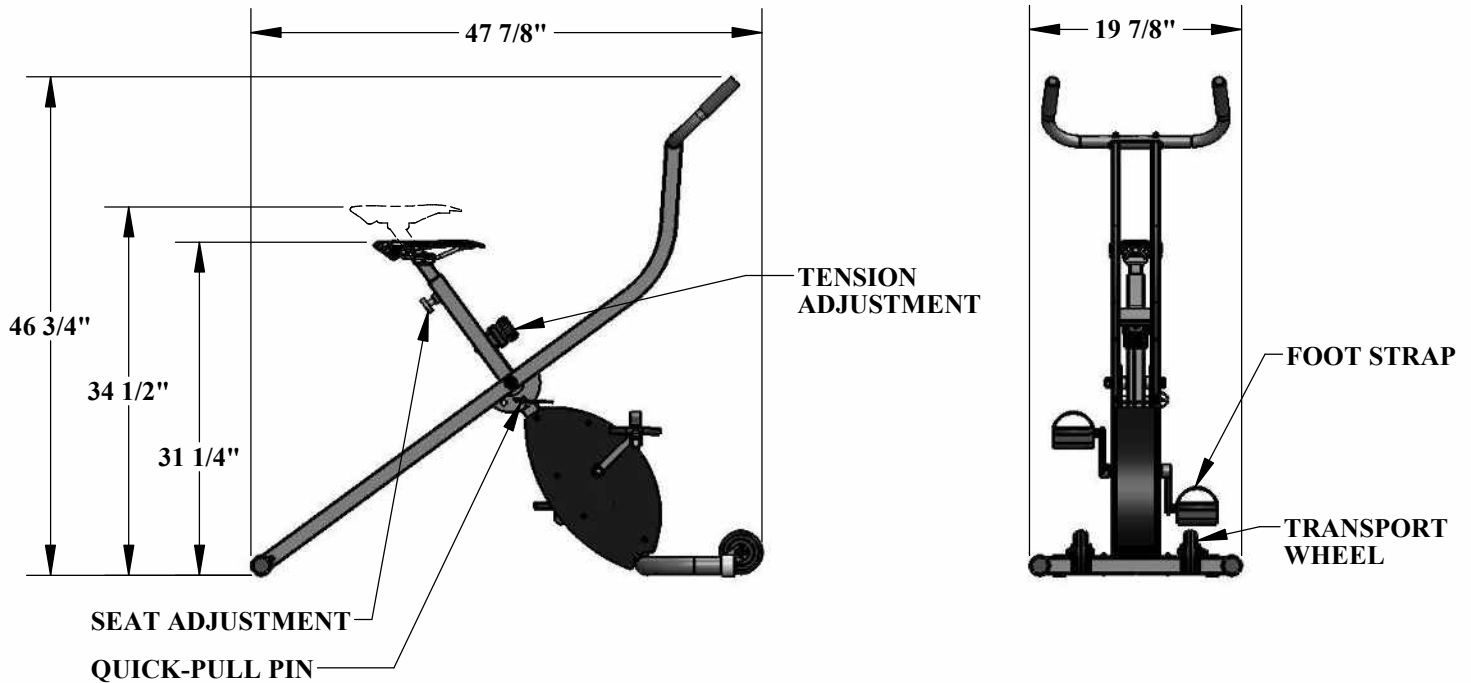

Aqua Creek Products
The Total Solution for Pool and Spa Access

NOTE:
*SPECIFICATIONS ARE SUBJECT TO CHANGE WITHOUT NOTICE
*ALL DIMENSIONS ARE IN INCHES

PRODUCT:	F-RCMST	
DWG #:	F-RCMST-1	
SCALE:	1:18	DATE: 12/4/14
DRAWN BY:	KR	REVISION: A

SHOCKWAVE POOL BIKE - SPORT SEAT OPTION

PATENT PENDING



SPECIFICATIONS

- FRAME: TYPE 304 & 316 STAINLESS STEEL
- FINISH: POLYESTER POWDER COAT
- GEARS: PLASTIC
- RESISTANCE: 6 LEVELS
- CRANK: STAINLESS STEEL ROD WITH BRONZE BUSHINGS
- HANDLEBARS: ERGONOMICALLY DESIGNED FOR MAXIMUM COMFORT
- STORAGE: REMOVE QUICK-PULL PIN FOR EASIER STORAGE
- SEAT: 5 LEVELS OF ADJUSTABILITY
- POOL DEPTH: 3-5 FEET FOR OPTIMAL USE
- WEIGHT: 35LBS (16kg)
- WEIGHT CAPACITY: 300LBS (136kg)
- WARRANTY: 3 YEARS FOR FRAME (NOT INCLUDING POWDER COAT)
1 YEAR FOR PARTS & TRANSMISSION



PRODUCT:	F-SPRTST	
DWG #:	F-SPRTST-1	
SCALE:	1:18	DATE: 12/4/14
DRAWN BY:	KR	REVISION: A