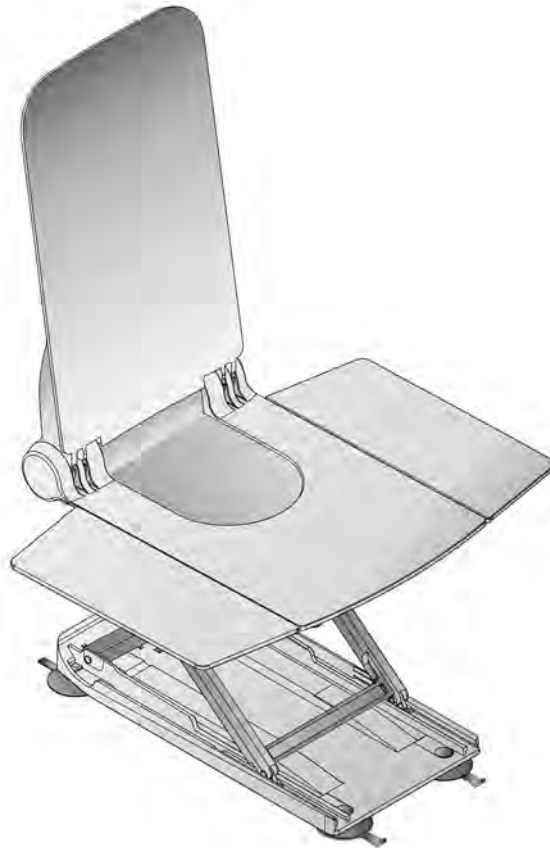
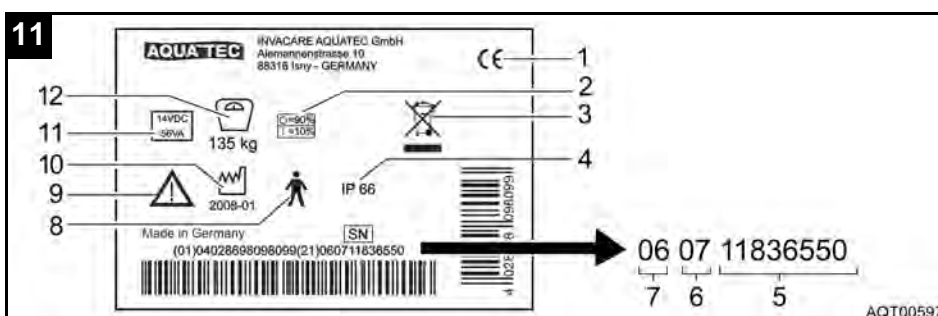
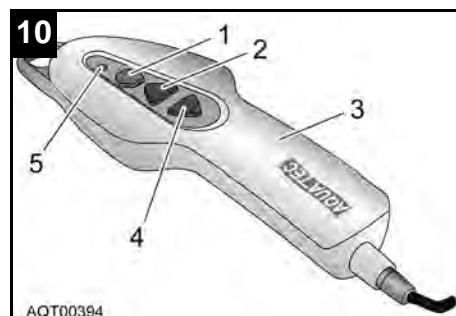
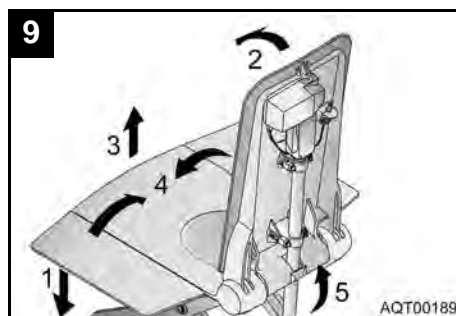
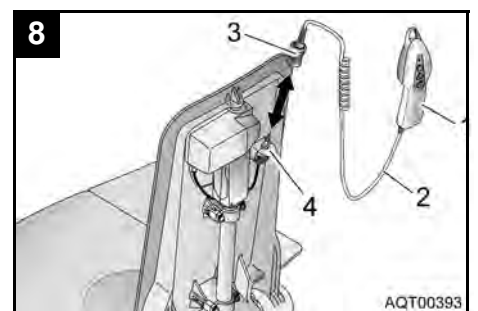
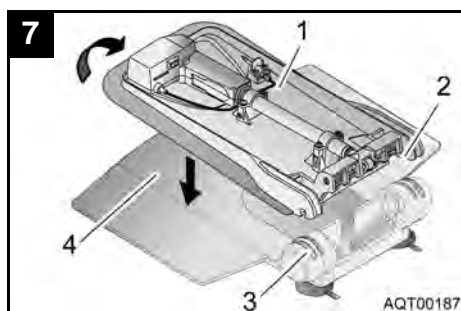
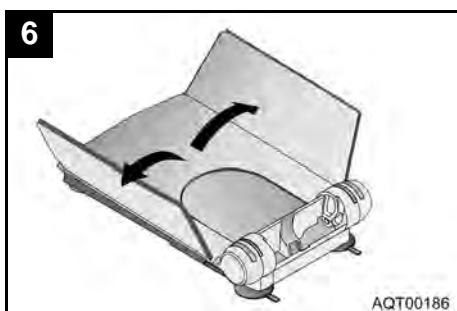
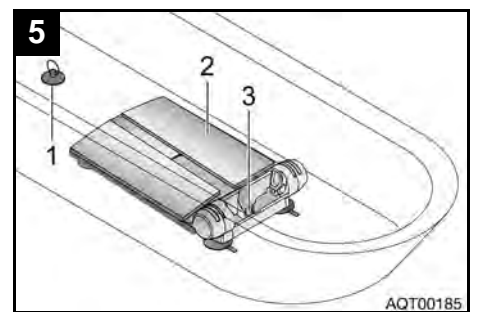
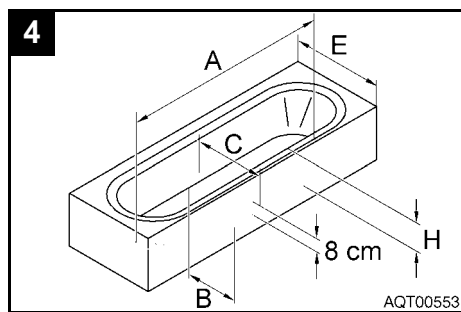
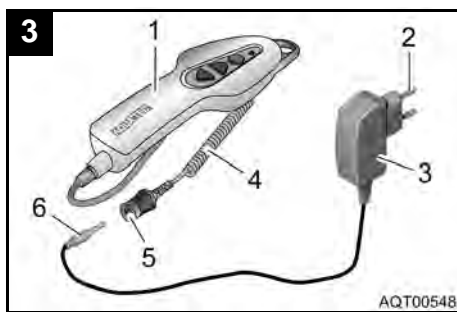
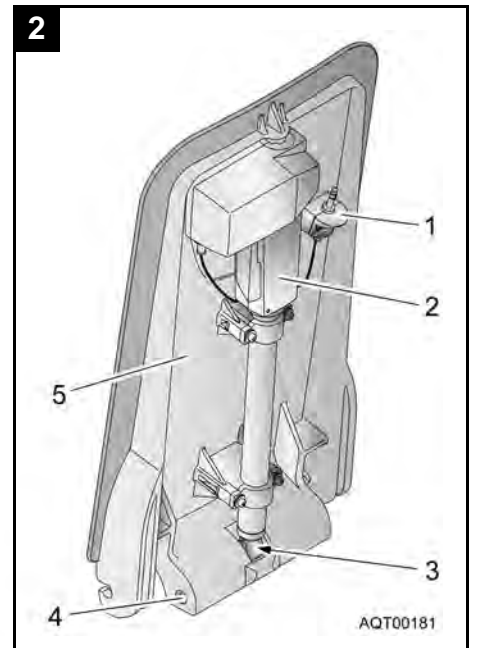
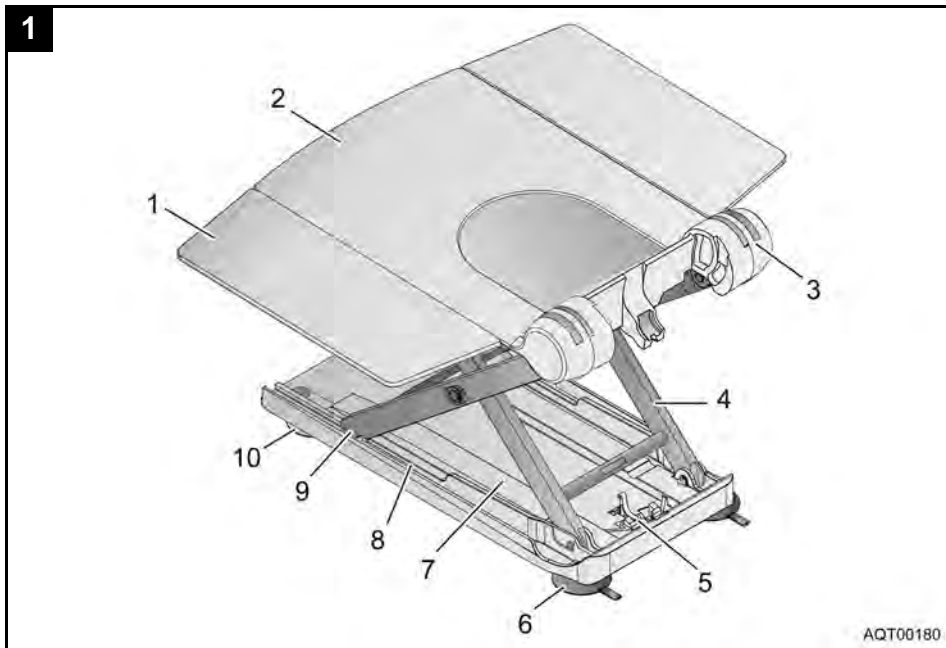


EN

**Bathlift**

Operating instructions





**Contents**

<b>1</b>	<b>General instructions</b> . . . . .	<b>3</b>
1.1	Introduction . . . . .	3
1.2	Proper use . . . . .	3
1.3	Warranty . . . . .	3
1.4	Re-use/Reconditioning . . . . .	3
1.5	Disposal . . . . .	3
1.6	CE marking . . . . .	4
<b>2</b>	<b>Safety instructions</b> . . . . .	<b>4</b>
2.1	Warnings and symbols . . . . .	4
2.2	General instructions . . . . .	4
2.3	Instructions on the battery and charger . . . . .	4
<b>3</b>	<b>Description</b> . . . . .	<b>5</b>
3.1	Scope of delivery . . . . .	5
3.2	Technical data. . . . .	5
<b>4</b>	<b>Transport</b> . . . . .	<b>5</b>
<b>5</b>	<b>Setting up</b> . . . . .	<b>5</b>
5.1	Recharging the battery . . . . .	5
5.2	Setting up the bathlift in the bathtub . . . . .	6
5.3	Removing the bathlift from the bathtub . . . . .	6
<b>6</b>	<b>Operation</b> . . . . .	<b>7</b>
6.1	Control . . . . .	7
6.1.1	Lifting . . . . .	7
6.1.2	Lowering . . . . .	7
6.1.3	Emergency stop . . . . .	7
6.2	Using the bathlift. . . . .	7
6.3	Troubleshooting . . . . .	8
<b>7</b>	<b>Care and maintenance</b> . . . . .	<b>8</b>
7.1	Seat and backrest. . . . .	8
7.2	Charger and hand control . . . . .	9
7.3	Maintenance/safety check . . . . .	9

**1 General instructions**

**1.1 Introduction**

These operating instructions contain information and instructions regarding the safe and proper use of your bathlift.

In the text of these operating instructions, we refer to figures and individual items within the figures. These references are shown in brackets.

Example: (3, fig. 1) refers to figure 1, item 3.

Keep all documents supplied in a safe place.

**1.2 Proper use**

The bathlift is designed exclusively for lowering and lifting a person in a bathtub.

Any other use is prohibited.

Never use the bathlift as an aid to get in or out of anything, nor as a support, lifting platform or for other similar purposes.

**1.3 Warranty**

The warranty depends on the legal specifications in the country of destination or on the specifications made by our sales partners.

In the event of damage, please notify your specialist dealer or contact one of the addresses printed in these operating instructions.

The covers, suction cups and the battery that is built in to the hand control are not covered by the warranty.

The warranty period begins at the delivery date as shown on the delivery note.

**1.4 Re-use/Reconditioning**

The product is designed for repeated use. The maximum number of times you can re-use the device depends on its general state and condition.

On reconditioning, always follow the **AQUATEC** reconditioning and hygiene instructions. These are available on request from **AQUATEC**.

**1.5 Disposal**



The disposal and recycling of old devices and packaging must be conducted in accordance with the applicable legal regulations.

## 1.6 CE marking

The product complies with EU directive 93/42/EEC for medical equipment.

The product meets the requirements of the DIN EN 10535 norm (lift) and the DIN EN 60601-1-2 norm (electromagnetic compatibility).

The *AQUATEC XL* guarantees a lift function up to the twofold nominal load.

## 2 Safety instructions

### 2.1 Warnings and symbols

The following warnings and symbols are used in these operating instructions:

*	<p><b>CAUTION!</b></p> <p>This notice indicates a potential hazard.</p> <p>Not following these instructions can result in injury or damage.</p>
---	---



#### Important!

This symbol indicates additional instructions, information or tips.

### 2.2 General instructions



The bathlift may only be used for lowering and lifting a person within a bathtub.



Only use the bathlift in bathtubs which conform to the information in section 5.2.



If you are unable to take a bath on your own, use the device only under supervision.  
Example: You might not always be able to reach the emergency stop button on the hand control while you are operating the device.



Observe the information on the label. Do not overload the bathlift.



If you are using bath oils or bath salts, do not exceed the recommended dosage. These additives may impair the operation of the lifting scissors.



Transport or store the product in a dry room at a temperature between 0 °C and 40 °C and a humidity of 30 to 75 %.



Never store the product directly next to heat sources.



Never expose the product to direct sunlight.



If you detect any malfunction, please contact your authorised dealer immediately.



Do not modify or reconstruct the device.

### 2.3 Instructions on the battery and charger



To charge the battery, insert the jack plug of the charger into the jack socket on the curled cable of the hand control as far as possible.



Never throw the hand control into a fire. Do not store it near naked flames.



Do not open the hand control. The warranty expires if it is opened!



Only use the supplied charger (*AQUATEC R / AQUATEC F / AQUATEC XL*) to charge the battery in the hand control.



Recharge the battery in the hand control as soon as possible after use.



To preserve the service life of the battery when not in use for prolonged periods, please observe the instructions in section 7.2.



Only plug the charger into the mains if the hand control is connected to the charger.

\* In the text, a picture illustrating the type of risk replaces the asterisk.

### 3 Description

#### 3.1 Scope of delivery

The *AQUATEC R / AQUATEC F / AQUATEC XL* is supplied with the following parts (fig. 1 to fig. 3):

##### Seat (fig. 1) consisting of:

- 1 Sideflap
- 2 Seat plate
- 3 Hinge for backrest
- 4 Lifting scissors
- 5 Spindle foot retainer
- 6 Rear suction cup (double strap with thread)
- 7 Base plate
- 8 Guide for gliding shoe
- 9 Gliding shoe
- 10 Front suction cup (single strap with head)

##### Backrest (fig. 2) consisting of:

- 1 Jack plug
- 2 Drive
- 3 Spindle foot
- 4 Lock pin
- 5 Backrest plate

##### Hand control and charger (fig. 3)

- 1 Hand control and curled cable
- 3 Charger

The battery is built into the hand control.

##### Operating instructions (not illustrated)

#### 3.2 Technical data

##### Bathlift

Seat length:	590 mm
Seat width with sideflaps folded out:	715 mm
Seat width with sideflaps folded in:	420 mm
Seat height at lowest position:	60 mm
Seat height at highest position:	420 mm
Max. load ( <i>AQUATEC R / AQUATEC F</i> ):	135 kg
Max. load ( <i>AQUATEC XL</i> ):	170 kg
Total weight without hand control:	12.1 kg
Seat weight:	7.5 kg
Backrest weight:	4.6 kg
Hand control weight:	0.43 kg
Charger weight:	0.1 kg
Operating voltage:	14 V
Rated current:	4 A
Battery type:	Lilon
Charger input:	230-240 V AC, 50 Hz
Charger output:	24 V DC, 135 mA, 3 VA
Charge time as from low-voltage warning:	approx. 4 h

The label (for example, fig. 11) provides important information:

- 1 Conformance code
- 2 Duty cycle
- 3 Instruction (disposal)
- 4 Degree of protection
- 5 Serial number
- 6 Last digits of year of production
- 7 Plant
- 8 Type B application unit
- 9 Instruction (observe accompanying documents)
- 10 Period of production
- 11 Rated voltage/consumption
- 12 Load capacity

The label is on the rear side of the backrest.

### 4 Transport



#### Important!

- The backrest is not locked on the seat when it is folded together.
- Do not remove the suction cups when transporting the bathlift.
- The hand control must be removed from the backrest for transport.

Remove the hand control and always disassemble the bathlift into two sections for transport (the seat and the backrest).

For detailed instructions on how to dismantle the device, please refer to section 5.3.

### 5 Setting up



#### Important!

- Before setting up, inspect all parts for damage caused by transport.
- During assembly, make sure the parts are positioned correctly in relation to each other.

#### 5.1 Recharging the battery



#### CAUTION!

There is a risk of injury from electric shock. Only recharge the battery in dry rooms (not in the bathroom).

## Important!

- Recharge the battery completely each time before you use the bathlift.
  - Make sure that the voltage specifications shown on the charger correspond to those of the power mains.
1. Insert the jack plug (6, fig. 3) of the charger (3, fig. 3) into the jack socket (5, fig. 3) on the curled cable (4, fig. 3) of the hand control (1, fig. 3) as far as possible.
  2. Insert the power plug (2, fig. 3) of the charger into the power socket.

The red indicator lamp (5, fig. 10) on the hand control will stop to illuminate if the battery is fully recharged. It is not possible to "over-charge" the battery.

3. Pull the charger out of the power socket.
4. Disconnect the jack plug of the charger from the jack socket on the hand control.

## 5.2 Setting up the bathlift in the bathtub




  	<b>CAUTION!</b>
	<p>The seat may slip if the suction cups do not adhere properly.</p> <ul style="list-style-type: none"> <li>● Before you set up the bathlift, clean the bathtub and the suction cups.</li> <li>● Do not move the bathlift once you have installed it in the bathtub.</li> </ul> <p>Injuries or damages</p> <p>Only install the bathlift in bathtubs which conform to the information in the following table.</p>

Fig. 4	Description	Dimensions in cm
A	Bottom length of bathtub	≥ 80
B	Bottom width of bathtub (inside)	28-60
C	Width of bathtub for the height of 8 cm (inside)	≥ 43
H	Height of bathtub (inside)	≤ 42 (with height adapter max. + 6 cm)
E	Width of bathtub (outside)	58-69 (with special side-flaps) 70-74 (with standard side-flaps) 75-100 (with special side-flaps)

## Important!

- The suction cups have to be attached.
  - The battery in the hand control must be fully charged.
  - The spindle foot must be fully retracted.
  - When lifting, please remember: The seat weighs 7.5 kg and the backrest weighs 4.6 kg (without the hand control).
  - If your bathtub has a handrail, use the side-flap diverter (optional).
  - The sideflaps must be folded outward **before** the backrest is raised.
1. Place the seat (2, fig. 5) onto the base of the empty bathtub. The spindle foot retainer (3, fig. 5) must point towards the end of the bathtub opposite the drain (1, fig. 5).
  2. Fold the sideflaps of the seat outwards (fig. 6).
  3. Place the backrest (without the hand control) (1, fig. 7) onto the seat so that the hooks (2, fig. 7) in the backrest fit in the hinges (3, fig. 7) of the seat plate (4, fig. 7).

	<b>CAUTION!</b>
	<p>There is a risk of damage if the spindle foot slips out.</p> <ul style="list-style-type: none"> <li>● Before you fold up the backrest, check whether the spindle is fully retracted.</li> <li>● After you have folded the backrest up, check whether the spindle foot is in the spindle foot retainer.</li> </ul>

4. Carefully lift the backrest by pulling it up to the limit position at the head end (fig. 7).
5. Plug the jack plug with the unlocking sleeve (3, fig. 8) on the curled cable (2, fig. 8) of the hand control (1, fig. 8) onto the jack plug (4, fig. 8) until the locking mechanism engages noticeably.

The bathlift is now ready for use.

## 5.3 Removing the bathlift from the bathtub

1. Let the water out of the bathtub.
2. Lower (1, fig. 9) the bathlift with the DOWN button (4, fig. 10), until the backrest is at the stop in lowered limit position.
3. Unlock the jack socket on the curled cable of the hand control by pushing up the unlocking sleeve (3, fig. 8) and pull it off the jack plug (4, fig. 8).

## Important!

- When folding the backrest down, ensure that the curled cable (2, fig. 8) of the hand control does not get caught.
- Do not fold the backrest down if there is water in the bathtub.

- Take hold of the backrest at the head-end with one hand and fold it forwards up to the limit position (2, fig. 9).



### Important!

When lifting, please remember: The seat weighs 7.5 kg, and the backrest weighs 4.3 kg (without the hand control).

- Pull the backrest up off the seat (3, fig. 9) and out of the bathtub.
- Fold the sideflaps on the seat inwards (4, fig. 9).



### Important!

Release the suction cups at the rear simultaneously.

- To release the rear suction cups, pull the straps (6, fig. 1).
- Lift the rear end of the seat further (5, fig. 9).

This releases the front suction cups.



### Important!

If you have installed the height adapters (optional), you also have to pull the straps on the front suction cups to release them.

- Take the seat out of the bathtub.
- Carefully put away all components of the bathlift.

## 6 Operation

### 6.1 Control



#### Important!

- If the battery in the hand control is not sufficiently charged, the pilot light for the battery (5, fig. 10) illuminates red while the DOWN-button is pressed. In this case, the lowering function of the bathlift is disabled. However, you can still raise the lift. Recharge the battery immediately after you have raised it.
- The hand control may only be used when the backrest is properly mounted and in upright position.
- If you let go of the button, the lift stops instantly in its position.

Controlling is done using the hand control (fig. 10).

### 6.1.1 Lifting



#### Important!

If the backrest is folded down, it first moves to the upright position (not on model *AQUATEC F*).

Press the UP button (2, fig. 10) on the hand control (3, fig. 10).

The backrest moves to the upright position, or the seat moves up.

### 6.1.2 Lowering



#### Important!

If the seat is already lowered, the backrest leans backwards (not on model *AQUATEC F*).

Press the DOWN button (4, fig. 10) on the hand control (3, fig. 10).

The seat moves down, or the backrest moves back.

### 6.1.3 Emergency stop



#### Important!

Only press the red emergency stop button (1, fig. 10) if the device does not stop immediately after letting go of the UP or DOWN button (e.g. if a button jams). The bathlift stops moving immediately. The red LED that is built into the hand control goes on.

If the red LED goes out after letting go of the emergency stop button, the fault has been rectified (e.g. if the button is released). The device is ready for use again.

If the red LED stays on after letting go of the emergency stop button, the fault has not yet been rectified. The device is not ready for use and must be repaired (e.g. in the event of damage to the electronics).

## 6.2 Using the bathlift

	<b>CAUTION!</b>
	<p>The seat may slip if the suction cups do not adhere properly.</p> <p>Before you use the bathlift, make sure that it is securely positioned and cannot tip over.</p>



#### Important!

- Before you take a bath, do a test run\* to make sure that the bathlift functions properly.
- Before using the bathlift, check the temperature of the bath water.

\* Run the lift unloaded once to the top and then back to the bottom.

Section 5.2 describes how to set up the bathlift in the bathtub.

1. Raise the seat until it is level with the edge of the bathtub by pressing the UP button (2, fig. 10).

The sideflaps should be level and rest on the edge of the bathtub.

2. Fill the bath with water and check the temperature.
3. Sit down on the sideflap nearest to you as you would sit down on a chair.
4. Slide backwards until you are sitting in the middle of the seat.
5. Turn yourself so that you can be comfortably lowered into the water. Lift one leg after the other over the edge of the bathtub.
6. Once you are sitting correctly, press the DOWN button (4, fig. 10) to lower the seat into the water.

Once the seat has reached its lowest position, you can tilt the backrest back, so that you can lean back deeper in the water (not on model *AQUATEC F*).

7. Keep pressing the DOWN button until the backrest is at the right position.

To get out of the bath, follow the above steps in reverse order.

To lift the seat, press the UP button (2, fig. 10).

8. Remove the jack socket on the curled cable of the hand control from the jack plug on the backrest by moving up the unlocking sleeve and charge as described in section 5.1 or remove the bathlift from the bathtub as described in section 5.3.

## 6.3 Troubleshooting



### Important!

The following table provides information on faults and their probable cause. If you cannot rectify a fault using the table, please contact your authorised dealer directly.

Problem	Possible causes	Remedy
No motor noise/lift does not move	Jack socket of the hand control is not locked correctly	Lock the jack socket (see section 5.2)
	The battery is flat	Recharge the battery (see section 5.1)
	The contacts are dirty	Clean the contacts
	The cable is damaged	Replace the hand control
The lift can be raised but not lowered	Low-voltage protection is activated	Recharge the battery (see section 5.1)

The lift stops while being raised	The load is excessive	Observe the maximum load
The battery does not charge and the red LED flashes during charging	The electronics are faulty	Have your authorised dealer check the hand control
	The battery is faulty	Replace the hand control
	The charger is faulty	Have the charger checked
The bathlift slips	The suction cups are old or damaged	Replace the suction cups

## 7 Care and maintenance

### 7.1 Seat and backrest

CAUTION!	
	There is a risk of injury when the lifting scissors move.
	Be especially careful when cleaning the seat.
	There is a risk of damage.
	Never clean the backrest with a high pressure cleaner.



### Important!


- Regularly clean the seat and backrest and keep them clean.
  - Do not use abrasive cleaning agents.
1. Wash the product with commercial detergents and disinfectants using a cloth or brush.
  2. Rinse the product with warm water.
  3. Dry the product with a cloth.
  4. Lightly grease the guide for the sliding shoe (8, fig. 1) using Vaseline.
  5. Unbutton the covers (optional) from the seat and backrest.

CAUTION!	
	There is a risk of damage.
	Do not tumble-dry the covers.

6. Wash the covers (optional) in the washing machine at maximum 60 °C using a mild detergent.



## 7.2 Charger and hand control

	<b>CAUTION!</b>
	<p>There is a risk of injury from electric shock.</p> <ul style="list-style-type: none"><li>● Before cleaning the charger, always pull the plug out of the power socket.</li><li>● Never plug objects made of conducting material (e.g. knitting needles, metal pins) into the jack socket of the hand control.</li><li>● Only use a dry cloth to clean the charger.</li></ul>

1. Wipe down the charger with a dry cloth.
2. Wipe down the hand control with a damp cloth and dry it with a dry cloth.
3. If the bathlift will not be used for prolonged periods, fully charge the battery (charge time of about 4 hours) and then raise and lower the bathlift 3 times while it is unloaded. Repeat this procedure every 12 months. This preserves the service life of the battery.

## 7.3 Maintenance/safety check



### **Important!**

The hand control may only be opened by the manufacturer of the lifter.

When used properly, the bathlift is maintenance-free.

Before you use it, check for any visible damage. If you detect damage, contact an authorised workshop.

To maintain the functional reliability of your bathlift, it should be inspected by an authorised workshop each time it is reinstalled or after 24 months.

Only authorised dealers are permitted to perform required repairs.