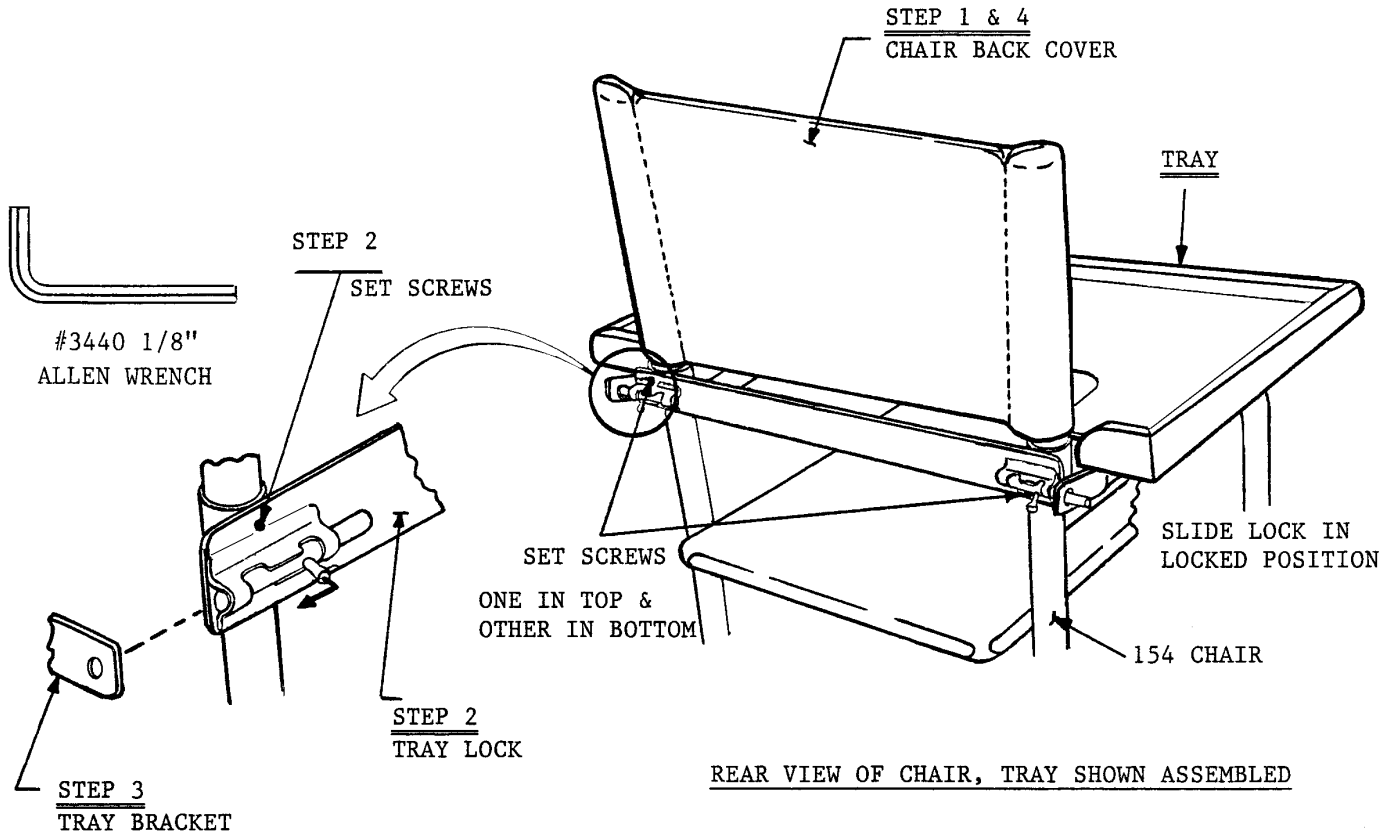


BAILEY

ASSEMBLY INSTRUCTIONS, MODEL 123 ACCESSORY TRAY FOR MODEL 154 CHAIR



- STEP 1. REMOVE CHAIR BACK COVER (PULL OFF)
- STEP 2. SLIDE TRAY LOCK OVER BACK OF CHAIR AND PUSH DOWN UNTIL TRAY LOCK STOPS. TIGHTEN SETSCREWS (FACTORY INSTALLED) 2 PLACES ON TRAY LOCK USING #3440 1/8" ALLEN WRENCH. (SUPPLIED WITH UNIT) DO NOT OVER TIGHTEN SET SCREWS.
- STEP 3. ATTACH TRAY TO TRAY LOCK, SLIDE LOCK INTO HOLE OF TRAY BRACKET, ONE EACH SIDE. MAKE SURE SLIDE LOCK IS IN A LOCKED, SECURE POSITION ON BOTH SIDES.
- STEP 4. RE-INSTALL CHAIR BACK COVER TO CHAIR.
MAKE SURE ALL COMPONENT PARTS ARE SECURE PRIOR TO PLACING UNIT INTO SERVICE