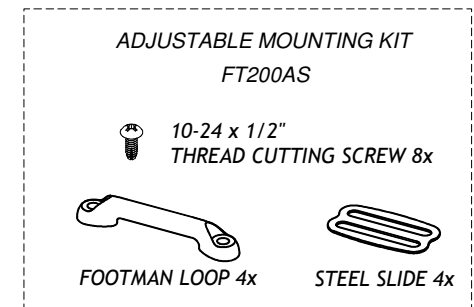


TABLE 1

SIZE	PART NUMBER	SIZING GUIDE ANKLE CIRCUMFERENCE
X-SMALL	FT240XS	14 - 17cm (5-1/2 - 6-3/4")
SMALL	FT240S	16.5 - 20cm (6-1/2 - 8")
MEDIUM	FT240M	19 - 25.5cm (7-1/2 - 9-1/4")
LARGE	FT240L	23 - 28cm (9 - 11")
X-LARGE	FT240XL	26.5 - 33cm (10-1/2 - 13")



note

description

ANKLE HUGGERS TECHNICAL SPECS

drawing no. D18-0206-30	date originated 2/6/2018	drawn by D HAGAN	rev. A
-----------------------------------	-----------------------------	---------------------	------------------