

# BODYPOINT® BELT MOUNTING HARDWARE

Select the Right Belt and Install the Right Hardware



STRENGTHEN  
YOUR  
POSITION®



## STEP 1

Our wide range of hip belt options allow you to address your particular seating needs.



## STEP 2

Every belt comes with an ISO-tested end-fitting (B1 Flat-Mount, B2 Cinch-Mount).



## STEP 3

Belt mounting hardware options are available to fit belts correctly on any wheelchair.



Every product combination exceeds rigorous ISO/ANSI standards.

## STEP 1

SELECT A BODYPOINT HIP BELT

## STEP 2

CHOOSE A BELT END-FITTING OPTION (Ø6mm mounting holes)

### Flat-Mount™ (B1)



**Unique Features:**  
Low profile and highly versatile  
Fits in 5mm (3/16") gap

**Material:**  
Heat-treated, nickel-plated steel

**Typical Breaking Strength:**  
283kg (624 lbs)

### Cinch-Mount™ (B2)



**Unique Features:**  
Patented design makes precision adjustment easy  
Fits in 16mm (5/8") gap

**Material:**  
Stainless steel, nickel-plated pins, Delrin cover

**Typical Breaking Strength:**  
453kg (1000 lbs)

## STEP 3

SELECT BELT MOUNTING HARDWARE

### FrameSaver™ Clamp

HW303

Frame Type: ●

Frame Size:

Fits Ø22mm (7/8") & 25mm (1") tubes, extra shim fits Ø19mm (3/4")



25mm (1") Tube



With Flat-Mount™ End-Fitting

### Frame Clamp

HW310

Frame Type: ● ●

Frame Size:

Fits Ø22 (7/8") & 25mm (1") tubes



Under Upholstery Strip



Shower Chair Applications

### Band Clamp

HW320

Frame Type: ● ● ●

Frame Size:

Fits Ø22mm (7/8"), 25mm (1"), 27 x 33mm (1-1/16" x 1-5/16"), 29mm (1-1/8"), 30mm (1-3/16"), 32mm (1-1/4")



Under Upholstery Strips



Using Evoflex™ Pelvic Stabilizer

### Seat Tube Mounting Bracket Kit

HW312

Frame Type: ●



Upholstery strips with Evoflex™ Pelvic Stabilizer



Direct Mounting - Solid Surface

### T-Slot Fastener Kit

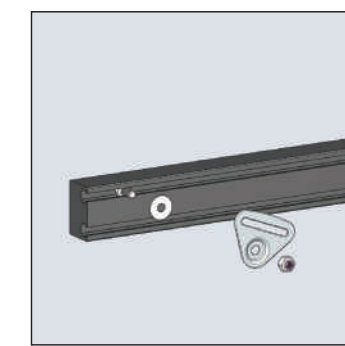
HKA6

6mm (1/4")

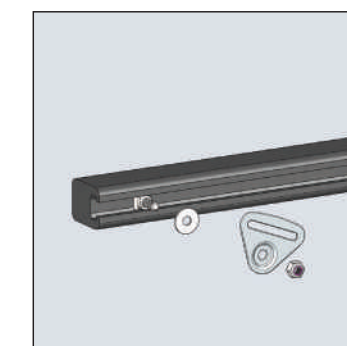
HKA10

10mm (3/8")

Frame Type: C



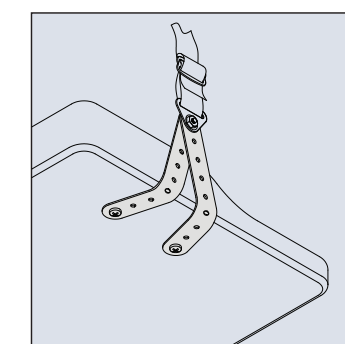
6mm (1/4") T-Slot Fastener Kit



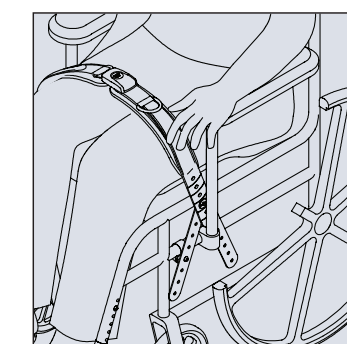
10mm (3/8") T-Slot Fastener Kit

### Belt Mounting Extension Kit

HKA12

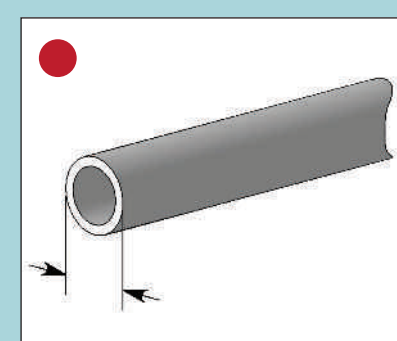


Bend under seat for direct attachment



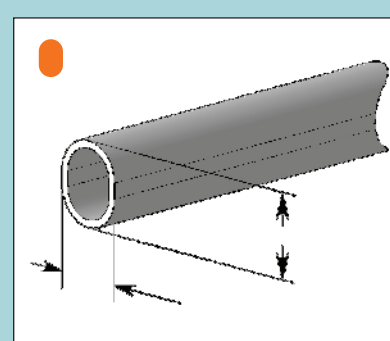
Straps spread apart to span obstructions

## USER GUIDE: FRAME TYPES



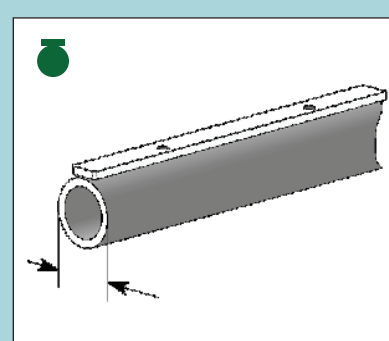
Round

Ø19, 22, 25, 29, 30, 32mm



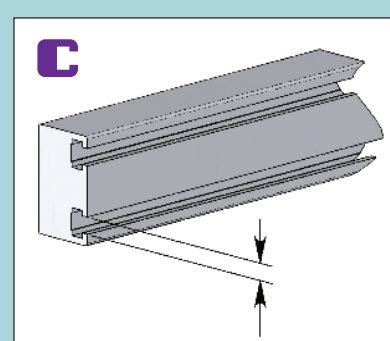
Oval

(Quickie Wheelchairs)  
27mm x 33mm

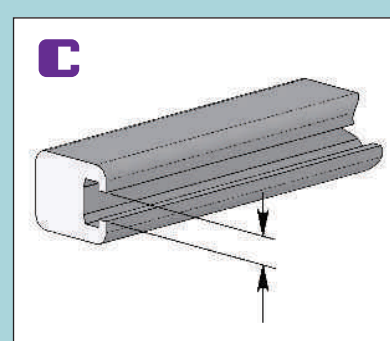


Tube

w/ Threaded Holes for  
Seat Upholstery Strip



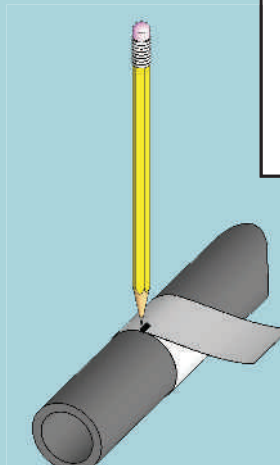
Permobil Unitrack  
(6mm T-Slots)



Invacare and Pride  
(10mm T-Slots)

TUBE CIRCUMFERENCE RULER  
(Circumference / 3.14 = Diameter)

|             |            |                |                 |                |
|-------------|------------|----------------|-----------------|----------------|
| 22mm (7/8") | 25 mm (1") | 29 mm (1-1/8") | 30 mm (1-3/16") | 32 mm (1-1/4") |
|-------------|------------|----------------|-----------------|----------------|



Wrap any strip of paper around the tube, mark off the circumference, and hold the strip against this ruler to find the corresponding diameter.

Be a Positioning Champion™!