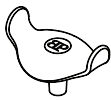
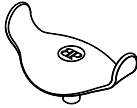


Joystick Handle



PC101



PC102



PC104



PC107



PC110

Joystick Handles are designed with flexible shafts that will fit tightly on 5mm (3/16") or 6.4mm (1/4") joystick stems. All Bodypoint Joystick Handles with flexible shafts will, by design, rotate or slide off of the steel joystick stem if subjected to undue pulling. This is to prevent damage to the joystick box. Altering the product to circumvent this feature is not recommended.

⚠ WARNING! If a serious incident occurs related to the use of this product, it should be reported to the manufacturer (Bodypoint, Inc.) and the local Competent Authority.

INSTALLATION INSTRUCTIONS:

1. Clean the metal joystick stem to remove any dirt or oil.
2. Moisten the metal joystick stem to facilitate mounting the handle.
3. Grasp the metal joystick stem near the base with pliers to keep from pushing it into the sensitive electrical components of the joystick box.
4. Press the Joystick Handle onto the metal joystick stem with a twisting motion.

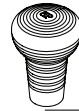
MAINTENANCE: All Flex-shaft Joystick Handles can be cleaned with dish soap and water or alcohol. For complete sanitization, the joystick handle can be removed from the wheelchair and cleaned at 60°C in a washing machine or dishwasher (avoid higher temperature drying cycles).

PERIODIC SAFETY AND PERFORMANCE CHECKS:

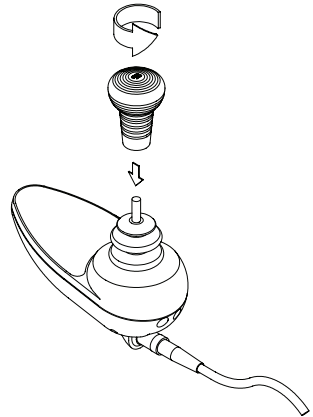
To ensure user safety, this product must be checked periodically for function and signs of wear. If the product does not function correctly or if significant wear is found, stop using it and contact your supplier for qualified repair or replacement by Bodypoint. Except as shown for the PC110, under no circumstance should this product be altered or repaired by unqualified persons — health and safety depend on it!

SCRAP/DISPOSAL: Product is made of materials which can be disposed of safely without special precautions at the end of its useful life.

WARRANTY: This product carries a limited lifetime warranty against defects in workmanship and materials arising under normal use by the original consumer. Contact your supplier or Bodypoint for warranty claims.



Size indicator
on bottom



PC110 MODIFICATIONS

Handle can be cut down using a sharp knife (roll through cut for best results) 28mm (1-1/8") min height.



Bodypoint Europe BV
Kerkstraat 29
7596 PD Terwolde
The Netherlands

