

SIZE	PART NUMBERS	
	FLAT MOUNT	CINCH MOUNT
SMALL	LH600S-A1	LH600S-A2
MEDIUM	LH600M-A1	LH600M-A2
LARGE	LH600L-A1	LH600L-A2

-A1 +

FRAMESAVER CLAMP & FLAT-MOUNT END FITTING 4x
S & M - HKA1-R-1
L - HKA1-G-1

-A2

FRAMESAVER CLAMP & CINCH-MOUNT END FITTING 4x
S & M - HKA2-R-1
L - HKA2-G-1

SHEET 1 of 2

note

description

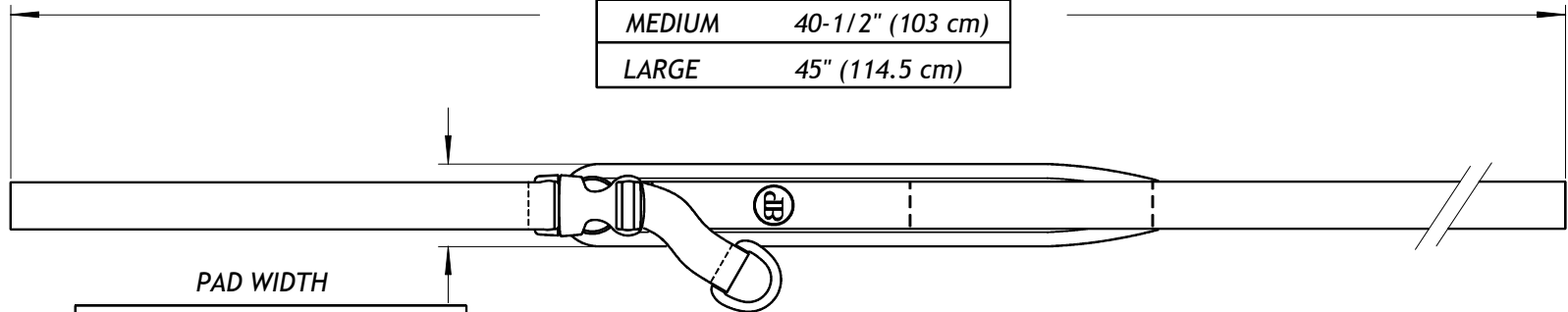
LEG HARNESS TECHNICAL SPECS

drawing no. D11-0425-30	date originated 4/25/2011	drawn by D. HAGAN	rev. C
-----------------------------------	------------------------------	----------------------	------------------



MINIMUM LENGTH

SMALL	35-1/2" (90 cm)
MEDIUM	40-1/2" (103 cm)
LARGE	45" (114.5 cm)

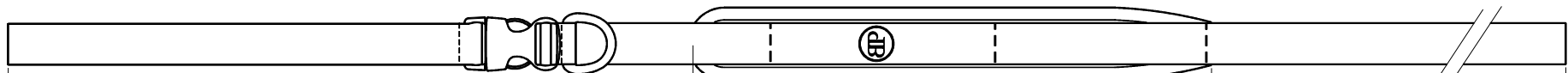


PAD WIDTH

SMALL	1-1/2" (4 cm)
MEDIUM	1-3/4" (4.5 cm)
LARGE	2" (5 cm)

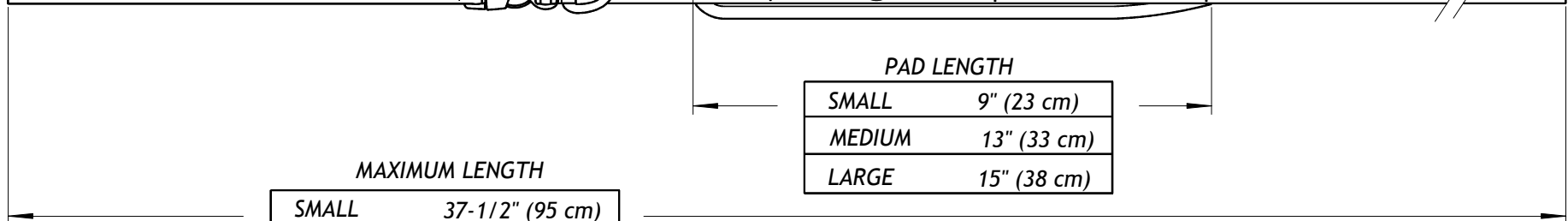
PAD LENGTH

SMALL	9" (23 cm)
MEDIUM	13" (33 cm)
LARGE	15" (38 cm)



MAXIMUM LENGTH

SMALL	37-1/2" (95 cm)
MEDIUM	44" (112 cm)
LARGE	50" (127 cm)



note

description

LEG HARNESS TECHNICAL SPECS

drawing no.

D11-0425-30

date originated

4/25/2011

drawn by

D. HAGAN

rev.

C