

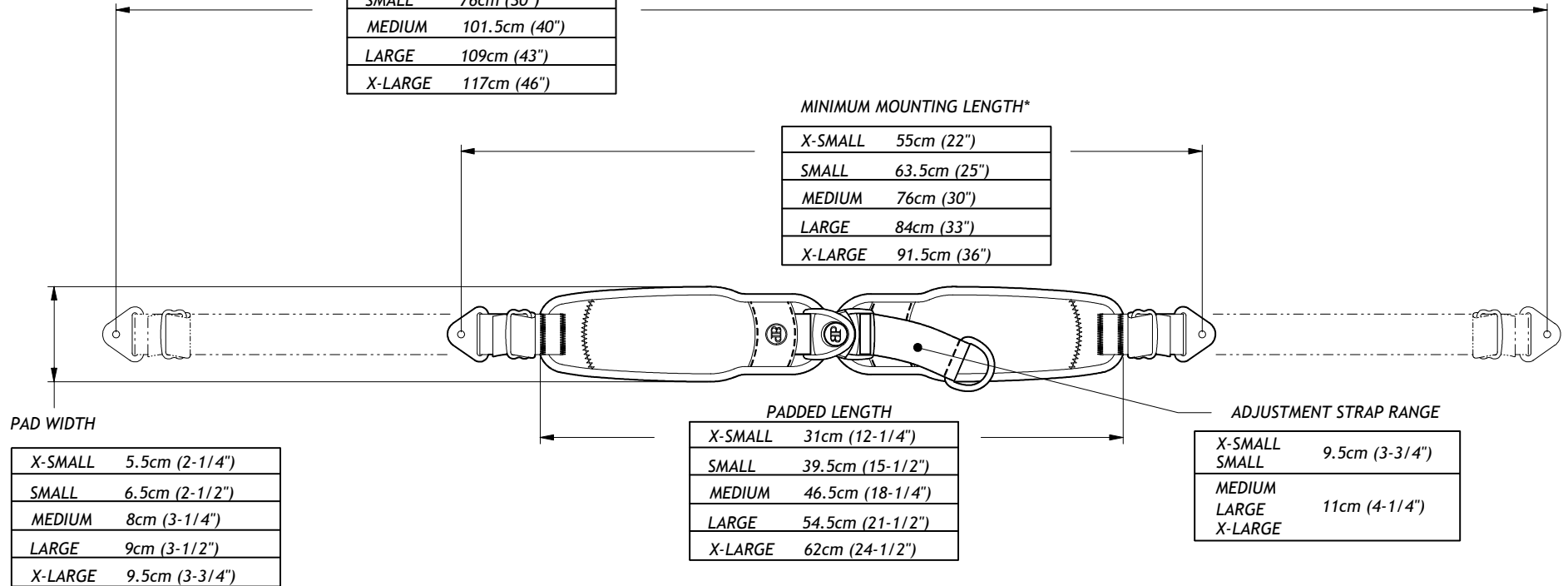
MONOFLEX, CENTER RELEASE, 2-PIECE

MAXIMUM MOUNTING LENGTH*

X-SMALL	68.5cm (27")
SMALL	76cm (30")
MEDIUM	101.5cm (40")
LARGE	109cm (43")
X-LARGE	117cm (46")

MINIMUM MOUNTING LENGTH*

X-SMALL	55cm (22")
SMALL	63.5cm (25")
MEDIUM	76cm (30")
LARGE	84cm (33")
X-LARGE	91.5cm (36")



PAD WIDTH

X-SMALL	5.5cm (2-1/4")
SMALL	6.5cm (2-1/2")
MEDIUM	8cm (3-1/4")
LARGE	9cm (3-1/2")
X-LARGE	9.5cm (3-3/4")

PADDED LENGTH


X-SMALL	31cm (12-1/4")
SMALL	39.5cm (15-1/2")
MEDIUM	46.5cm (18-1/4")
LARGE	54.5cm (21-1/2")
X-LARGE	62cm (24-1/2")


ADJUSTMENT STRAP RANGE

X-SMALL	9.5cm (3-3/4")
SMALL	
MEDIUM	11cm (4-1/4")
LARGE	
X-LARGE	

* NOTE: MOUNTING LENGTHS MEASURED WITH 5cm (2") ADJUSTMENT TAKEN UP AT BUCKLE

SIZE	W/ FLAT-MOUNT	W/ CINCH-MOUNT
X-SMALL	SH122XS-B1	SH122XS-B2
SMALL	SH122S-B1	SH122S-B2
MEDIUM	SH122M-B1	SH122M-B2
LARGE	SH122L-B1	SH122L-B2
X-LARGE	SH122XL-B1	SH122XL-B2

-B1  **FLAT-MOUNT END FITTING 2x**
 XS & S - 1" HKA1-R-1
 M, L & XL - 1-1/2" HKA1-G-1

-B2  **CINCH-MOUNT END FITTING 2x**
 XS & S - 1" HKA2-R-1
 M, L & XL - 1-1/2" HKA2-G-1

note

description			
MONOFLEX CHEST SUPPORTS, 1-PIECE & 2-PIECE			
drawing no.	date originated	drawn by	rev.
D15-0520-30	5/20/2015	D.HAGAN	D