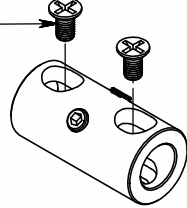


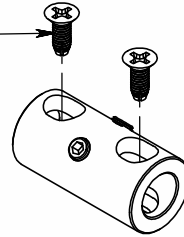
ADJUSTMENT RANGE
29.2mm
25.4mm
[1 5/32\"/>

Screw, 10-32 x 3/8"



MK 6 MPJ+, PSF+, PSR+

Screw, 10-32 x 1/2",
Thread-Rolling (Taptite)



MK 4A

PC042 FITS DYNAMIC (INVACARE)

MPJ+



PSF+



PSR+



MK 4A



description

JOYSTCK MOUNTING ADAPTERS

drawing no.

D11-1111-20

date originated

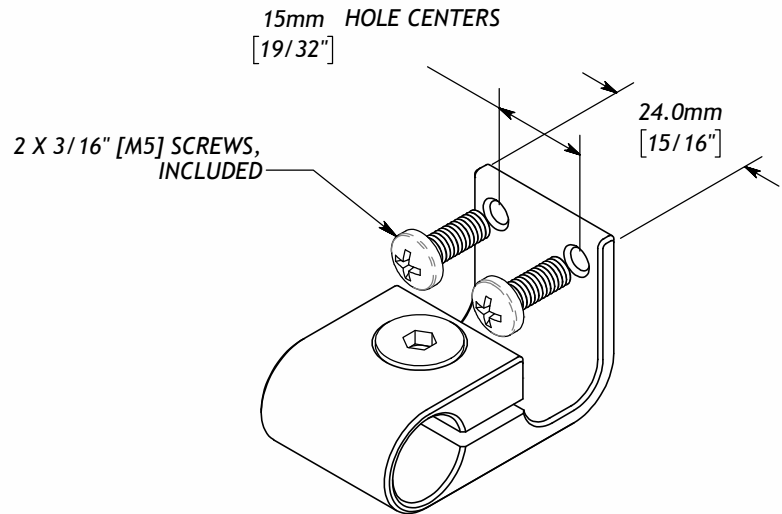
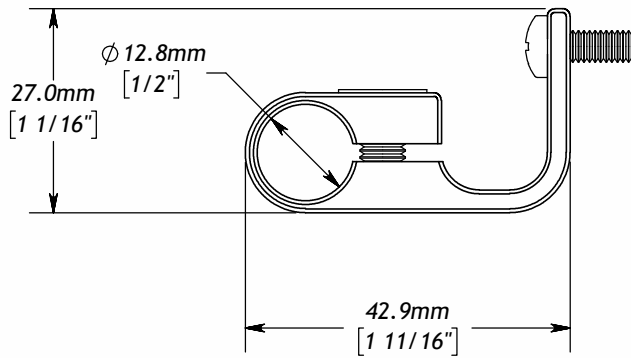
11/11/2011

drawn by

J.TILDEN

rev.

F



PC045 FITS PGDT (PERMOBIL, QUICKIE, PRIDE):



PGDT PILOT +, REMOTE +

description

JOYSTCK MOUNTING ADAPTERS

drawing no.

D11-1111-20

date originated

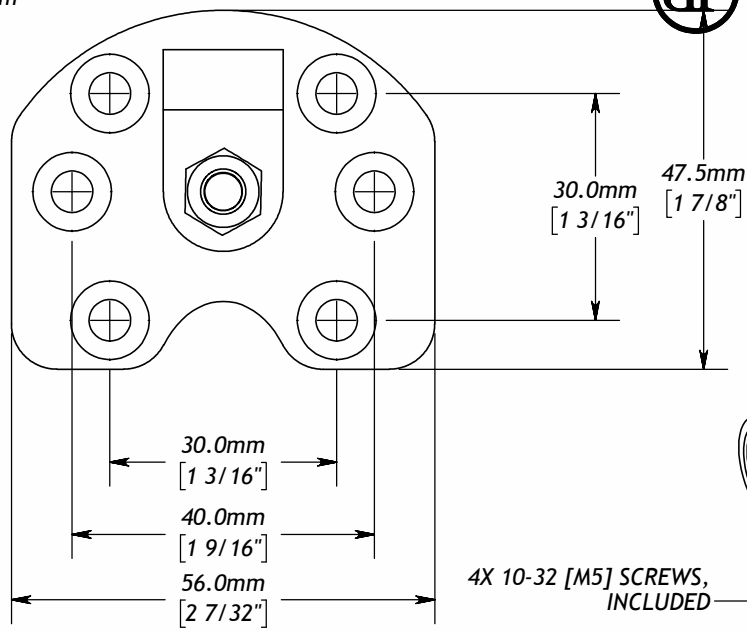
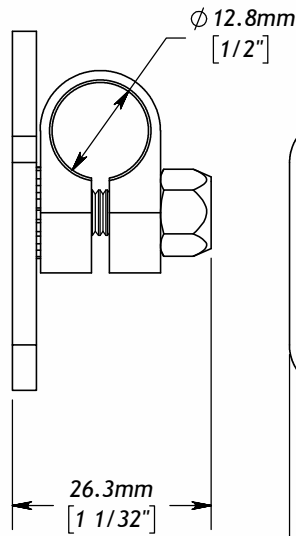
11/11/2011

drawn by

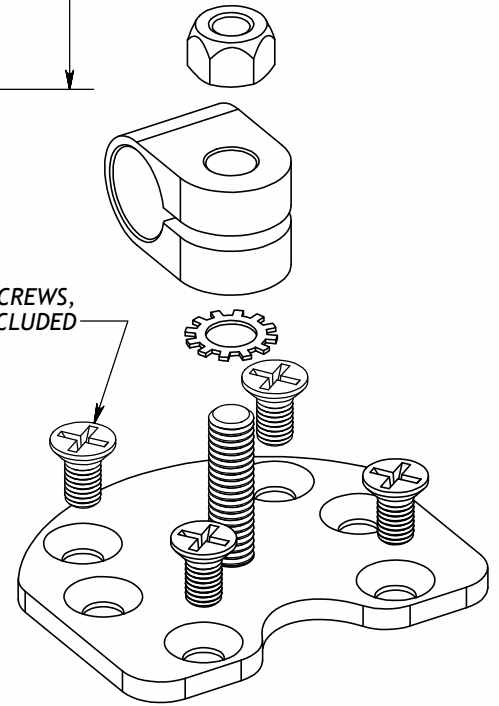
J.TILDEN

rev.

F



4X 10-32 [M5] SCREWS,
INCLUDED



PC046 FITS:

PGDT R-NET
(PERMOBIL, AMYSYSTEMS)



PGDT VSI
(PERMOBIL)



CURTIS Q-LOGIC REMOTE
(PRIDE MOBILITY/QUANTUM)

CURTIS Q-LOGIC NE
(PRIDE MOBILITY/QUANTUM)

PGDT VR2
(PRIDE MOBILITY/QUANTUM
QUICKIE, AMYSYSTEMS)

description

JOYSTCK MOUNTING ADAPTERS

drawing no.

D11-1111-20

date originated

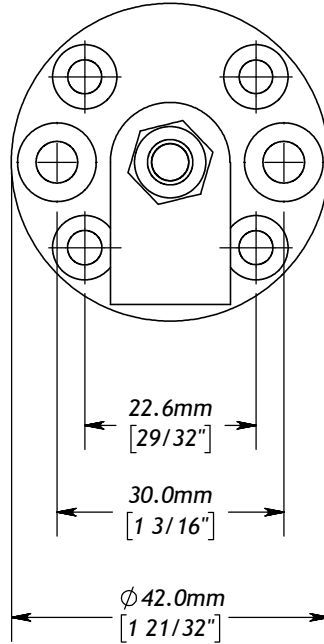
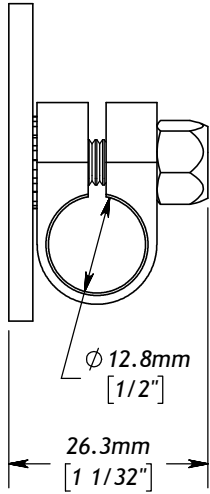
11/11/2011

drawn by

J.TILDEN

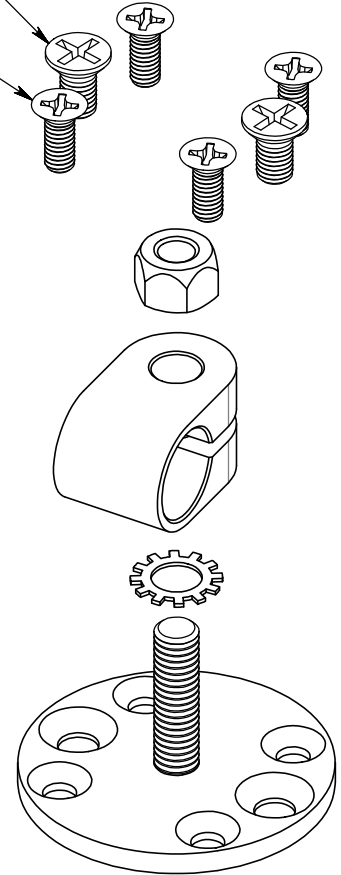
rev.

F



2X 10-32 [M5] SCREWS
INCLUDED

4X M4 X 10 SCREWS
INCLUDED



PC047 FITS HMC INTERNATIONAL (PERMOBIL NV, PRIDE):



CJA
*(COMPACT JOYSTICK
ADVANCED)*



**COMPACT JOYSTICK/
COMPACT LITE**

PC047 FITS DYNAMIC REMOTE MODULES (INVACARE):



**REM1XX AND 2XX-
SERIES**



REM4XX-SERIES



CREM AND ACU



**REM500 (ADAPTER MUST BE
TRIMMED TO CLEAR JACK)**

description

JOYSTCK MOUNTING ADAPTERS

drawing no.

D11-1111-20

date originated

11/11/2011

drawn by

J.TILDEN

rev.

F