

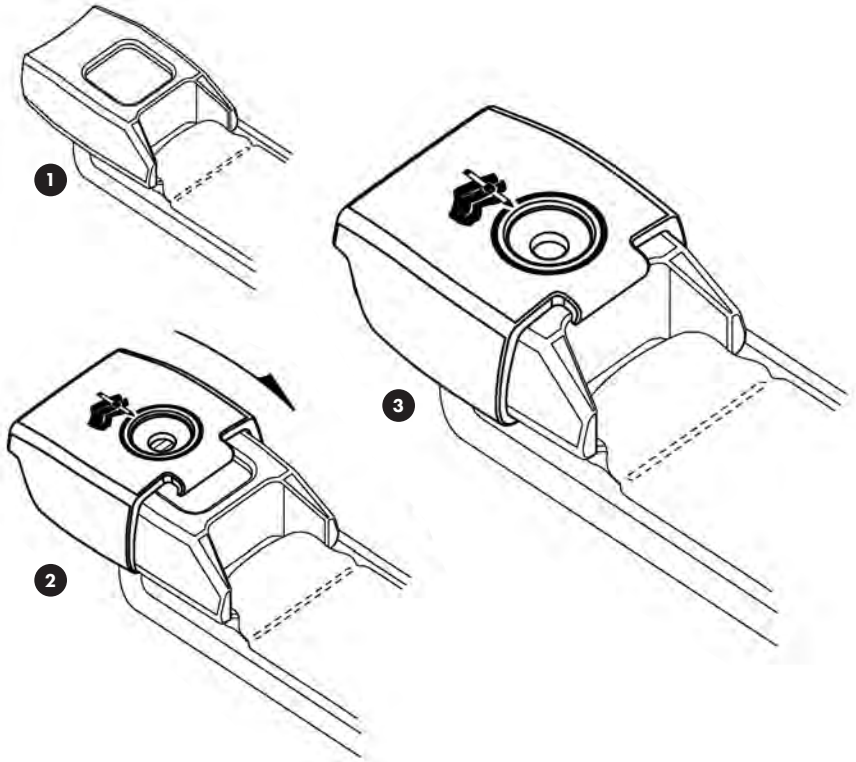
Buckle Security Covers

ART NOS. FS029C



⚠ WARNING! This product is intended to prevent unintentional release of a belt by the user. Improper use of this product could result in a user being trapped in the wheelchair in an emergency. A caregiver with a release tool should be present at all times during use of this product. Avoid the use of this product as a restraint unless a physician has weighed the risks and determined that it will increase the user's safety.

WARRANTY: This product carries a limited lifetime warranty against defects in workmanship and materials arising under normal use by the original consumer. Contact your supplier or Bodypoint for warranty claims.



Ø 1/4" (6mm) max.

