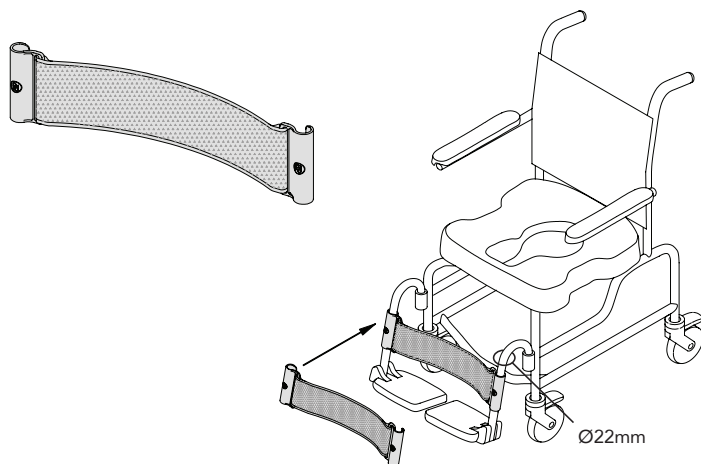


Shower Chair Calf Support

INSTALLATION AND USER'S INSTRUCTIONS

ART NOS. BB216-22MM, BB218-22MM, BB220-22MM



⚠ WARNING! If a serious incident occurs related to the use of this product, it should be reported to the manufacturer (Bodypoint, Inc.) and the local Competent Authority.

PERIODIC SAFETY AND PERFORMANCE CHECKS: To ensure user safety, this product must be checked periodically for function and signs of wear. If the product does not function correctly or if significant wear is found in the buckles, mounting points, webbing, padding, or stitches, stop using it and contact your supplier for qualified repair or replacement by Bodypoint. Under no circumstance should this product be altered or repaired by unqualified persons — health and safety depend on it!

🧺⚠🚫🧺 REGULAR CLEANING: Machine wash, hot, 60°C (140°F) using laundry detergent. Tumble dry, or drip dry. Do not iron.

SCRAP/DISPOSAL: Product is made of materials which can be disposed of safely without special precautions at the end of its useful life.

WARRANTY: This product carries a limited lifetime warranty against defects in workmanship and materials arising under normal use by the original consumer. Contact your supplier or Bodypoint for warranty claims.

Bodypoint®

EC REP

Bodypoint Europe BV
Kerkstraat 29
7396 PD Terwolde
The Netherlands

CE

MD Medical Device