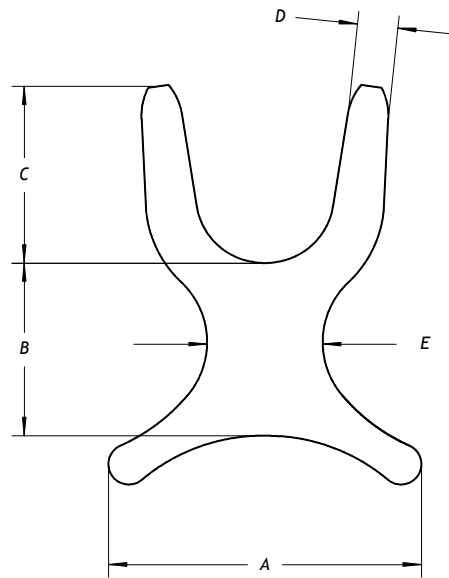
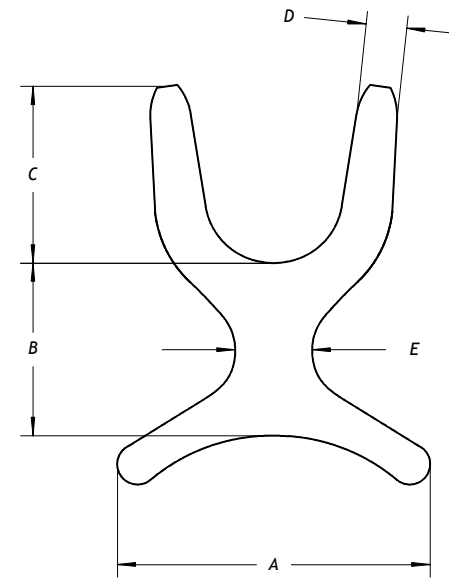




**STANDARD**



**NARROW**



**WITH ZIPPER**

	A	B	C	D	E
SMALL	9" (23 cm)	5-1/2" (14 cm)	6-1/2" (16.5 cm)	1-3/4" (4.5 cm)	4-3/4" (12 cm)
MEDIUM	12" (30.5 cm)	7" (18 cm)	8" (20.5 cm)	1-3/4" (4.5 cm)	5" (13 cm)
LARGE	15" (38 cm)	8-1/2" (21.5 cm)	9" (23 cm)	2-1/4" (5.5 cm)	5-1/4" (13.5 cm)
X-LARGE	18" (46 cm)	10" (25.5 cm)	10-1/2" (26.5 cm)	2-1/4" (5.5 cm)	6-1/2" (16.5 cm)

**WITH ZIPPER**

	A	B	C	D	E
MEDIUM	12" (30.5 cm)	7" (18 cm)	8" (20.5 cm)	1-3/4" (4.5 cm)	3-1/2" (9 cm)
LARGE	15" (38 cm)	8-1/2" (21.5 cm)	9" (23 cm)	2-1/4" (5.5 cm)	3-1/2" (9 cm)
X-LARGE	18" (46 cm)	10" (25.5 cm)	10-1/2" (26.5 cm)	2-1/4" (5.5 cm)	3-3/4" (9.5 cm)

**WITHOUT ZIPPER**

	A	B	C	D	E
X-SMALL	8-1/4" (21 cm)	5" (13 cm)	5-1/4" (13.5 cm)	1-1/2" (4 cm)	3-3/4" (9.5 cm)
SMALL	8-1/4" (21 cm)	5-3/4" (14.5 cm)	6-1/2" (16.5 cm)	1-3/4" (4.5 cm)	4" (10 cm)
MEDIUM	11-1/4" (28.5 cm)	7-1/4" (18.5 cm)	8" (20.5 cm)	1-3/4" (4.5 cm)	4-1/4" (11 cm)
LARGE	14-1/4" (36 cm)	8-3/4" (22 cm)	9" (23 cm)	2-1/4" (5.5 cm)	4-1/2" (11.5 cm)
X-LARGE	17" (43 cm)	10-1/4" (26 cm)	10-1/2" (26.5 cm)	2-1/4" (5.5 cm)	5-1/2" (14 cm)

**WITHOUT ZIPPER**

	A	B	C	D	E
MEDIUM	11-1/4" (28.5 cm)	7-1/4" (18.5 cm)	8" (20.5 cm)	1-3/4" (4.5 cm)	2-3/4" (7 cm)
LARGE	14-1/4" (36 cm)	8-3/4" (22 cm)	9" (23 cm)	2-1/4" (5.5 cm)	2-3/4" (7 cm)
X-LARGE	17" (43 cm)	10-1/4" (26 cm)	10-1/2" (26.5 cm)	2-1/4" (5.5 cm)	3" (7.5 cm)

note

description

**STAYFLEX SEWN DIMENSIONS**

drawing no.

**D09-0729-30**

date originated

7/29/2009

drawn by

D. HAGAN

rev.

**B**