



# Operating Manual

## Model CS 385 Shower Commode Chair



**Distributor/Rep:** This manual must be given to the caregiver responsible for this chair and its occupant.

**Caregiver:** Before using this chair, read this manual thoroughly and save for future reference.

Actual product may differ slightly from images in Operating Manual

# Contents

FOREWORD .....	1
GENERAL INFORMATION .....	2
1 DEFINITIONS .....	3
2 SAFETY REQUIREMENTS .....	4
2.1 Training .....	4
2.2 Application .....	4
2.3 Shipping and Storage .....	4
2.4 Pre-Service Check .....	5
2.5 Hazards .....	5
2.5.1 Position of Chair - “Danger of Falling” .....	5
2.5.2 Position of Seat Tilt - “Danger of Tipping” .....	5
2.5.3 Location of Chair - “Danger of Tipping or Falling Objects” .....	5
2.5.4 Total Lock Wheel Brakes - “Danger of Falling” .....	5
2.5.5 Re-Positioning of Resident - “Danger of Clamping” .....	6
2.5.6 Unintended Movement - “Danger of Falling or Collision” .....	6
2.5.7 Improper Restraint Use - “Risk of Serious Injury” .....	6
2.6 Improper Use .....	6
2.7 Cleaning .....	7
2.8 Maintenance .....	8
2.9 Resident Specific Instructions .....	9
3 OPERATION AND MOVEMENT .....	10
3.1 Seat Tilt- Posterior and Anterior .....	10
3.2 Back Recline .....	10
3.3 Elevating Leg Rest .....	11
3.4 Flip Down Footrest .....	11
3.5 Swing Away Removable Arms .....	12
3.6 Removable Commode Seat .....	12
3.7 Removable Commode Pan .....	13
3.8 Removable Commode Basket .....	13
3.9 Casters .....	14
3.10 Head Rest .....	14
3.11 Accessories (Options) .....	14
4 INSPECTION AND FUNCTIONAL TESTING .....	15
4.1 Inspection .....	15
4.2 Functional Testing .....	15
5 TECHNICAL INFORMATION .....	16
5.1 Specifications .....	16
5.2 Labels .....	17
5.3 BRODA Seating CS 385 Parts Schematic Drawing .....	18
5.4 BRODA Seating CS 385 Parts Schematic Legend .....	19
6 COMMON TROUBLESHOOTING AND REPAIR .....	20
6.1 Troubleshooting for Gas Cylinders .....	20
7 WARRANTY .....	22

# FOREWORD

Congratulations on your purchase of a BRODA chair and thank you for your confidence in our company and products.

BRODA assumes a leadership role in providing optimum re-positioning functions and mobility for residents of long-term care institutions. Our chairs do not look like traditional chairs and offer advantages unique to BRODA. We are sure that after using your BRODA chair, you will be convinced that your resident's quality of life will be greatly enhanced.

This manual will assist you in making the best use of the capabilities of your BRODA chair and will ensure that you quickly become familiar with its operation.

After reading this manual, if you have any questions about the safe and effective operation of your BRODA chair or accessories contact your local BRODA representative or our Head Office Customer Service personnel for further assistance.

## GENERAL INFORMATION

This document provides guidance on the safe and effective operation of the BRODA chair.

Information in this manual must be followed at all times.

Anyone involved with the operation or maintenance of the BRODA chair, including the resident's family members, must read this operating manual before using the chair.

The resident's primary caregiver is responsible for ensuring that anyone who is unfamiliar with, unwilling, or unable to adhere to the safety and operating instructions, is not permitted to operate or move the chair.

A copy of this instruction manual must always be available.

BRODA accepts no liability for damages, injury or accidents caused by operating errors, improper maintenance, or disregard of the instructions in this manual, including any resident specific instructions.

BRODA reserves the right to make changes to the specifications, dimensions, functions, or components of its products without notice. Product representations in this manual may vary from delivered products.

Each BRODA chair has a unique identifying serial number that must be maintained on the chair as well as with any equipment records.

# **1 DEFINITIONS**

“BRODA” means BRODA Enterprises Inc. doing business as BRODA Seating.

“BRODA chair” refers to mode CS 385 Shower Commode Chair.

“Long-Term Care Institution” refers to a nursing home, hospital, or other healthcare facility that provides health and personal care to its residents on a long-term basis.

“Resident” refers to an individual living in a long-term care institution under the care of professional caregivers.

“Professional Caregiver” refers to doctors, nurses, therapists, nursing aids, healthcare aids, and other specialists who work in a long-term care institution and provide health and personal care to its residents.

“Caregiver” refers to any person in a long-term care institution who is appropriately trained to provide care or services to the resident or the chair used by the resident and may include the resident’s family members or guardian.

“Seat Tilt” refers to changing the relative angle between the chair’s seat and the chair frame or ground without changing the relative angle between the back and the seat.

“Back Recline” refers to changing the relative angle between the chair’s back and the seat.

“Footrest Elevation” and “Leg Rest Elevation” refers to changing the relative angle between the chair’s footrest and/or leg rest and the seat.

“Transfer(s)” refers to the movement of a resident into or out of the chair with the assistance of their caregiver(s).

“Mechanical Transfer(s)” refers to the movement of a resident into or out of the chair with the assistance of their caregiver(s) using a patient lift or other assistive device that bears the weight of the resident.

## **2 SAFETY REQUIREMENTS**

### **2.1 Training**

**Before the chair is put into service, this manual must be read thoroughly by the caregiver(s) directly responsible for the resident's care.**

**After the chair is put into service, this manual must be read thoroughly by any new caregivers prior to operating or moving the chair.**

For the purpose of this manual, a resident's family member who shares responsibility for their care is considered a caregiver and is subject to the same competency before being permitted by the resident's primary caregiver to operate or move the chair.

Prior to first use, the customer must arrange for an in-service on the operation and safety requirements in this manual, must be given to the resident's caregivers by the local BRODA representative who supplied the chair.

The primary caregiver must maintain a list of caregivers who have read this manual and who they have authorized to operate and move the chair.

The resident's primary caregiver is responsible for ensuring that anyone who is unfamiliar with, unwilling, or unable to adhere to the safety and operating instructions, is not permitted to operate or move the chair.

The operations of the chair must be performed by the resident's primary caregiver who is responsible for seating. All The operations and adjustments performed should be done in a manner to ensure the overall safety, comfort and well-being of the resident, caregiver and third party. All operations and adjustments required for the resident should be determined by the resident's primary caregiver who is responsible for seating.

### **2.2 Application**

BRODA chairs are intended exclusively for residents of long-term care institutions who are under the care of professional caregivers. The suitability of a BRODA chair must be determined by a qualified caregiver who is familiar with the seating needs of the intended resident. Any other use of the chair is excluded from possible liability claims.

The chairs are not explosion resistant and must not be used where there are flammable gases or liquids present (e.g., anesthetics, volatile solvents and cleaners, etc.)

BRODA chairs are designed for use with specific BRODA parts and accessories. The use of non-BRODA parts or accessories with a BRODA will void the warranty and is excluded from possible liability claims.

BRODA chairs may only be used as described in this manual and with proper regard for recognized healthcare and workplace safety and accident prevention practices.

### **2.3 Shipping and Storage**

BRODA chairs should be shipped and stored in an upright position and not stacked higher than 3 boxes. No other materials should be shipped or stored on top of a BRODA box. BRODA boxes should not be placed on pallets.

BRODA chairs should be shipped and stored at temperatures between -20°C and 40°C. BRODA chairs should not be used until they are between 0°C and 30°C.

BRODA Commode Shower Chairs should be wiped dry after use.. Do not leave BRODA chairs outdoors as it may cause the paint to peel.

Upon receipt, the shipping carton must be immediately examined for damage. Any damage should be noted on the delivery receipt and a request for inspection by the transportation company should be made. Next, the shipping carton should be opened and the chair must be examined for concealed shipping damage. If the chair appears to be damaged, do not use the chair. File a concealed damage report with the transportation company.

## **2.4 Pre-Service Check**

BRODA chairs are delivered fully assembled. If the chair does not appear to be ready to use upon receipt, immediately contact your supplier and do not put the chair into service until any concerns have been resolved.

Visually inspect the chair for damage, missing parts, and loose fasteners prior to testing the chair's functions. Functional testing must be successfully completed after visual inspection and before use. These obligations apply to the chair's first use and to all subsequent uses (Section 4: Inspection and Functional Testing).

## **2.5 Hazards**

### **2.5.1 Position of Chair - "Danger of Falling"**

After a resident is transferred into a chair, assess the amount of tilt required. We recommend that the chair's seat be tilted sufficiently to prevent the resident from sliding or falling forward off the chair. The amount of seat tilt used should be determined by the resident's caregiver who is responsible for seating.

We recommend that the resident's feet be correctly positioned on the footrests and slightly to fully elevated to prevent the resident from sliding or falling forward off the chair. The amount of elevation used should be determined by the resident's caregiver who is responsible for seating.

### **2.5.2 Position of Seat Tilt - "Danger of Tipping"**

We recommend that the chair's seat be tilted sufficiently to prevent an agitated resident from tipping the chair forward or backward, or from slumping and sliding in the chair. The amount of seat tilt used should be determined by the resident's caregiver who is responsible for seating. Always ensure that the resident is properly positioned before operating the seat tilt.

### **2.5.3 Location of Chair - "Danger of Tipping or Falling Objects"**

We recommend that when a resident has been moved to their destination, the chair is placed where the resident cannot reach handrails or other objects, fixed or movable. This is to prevent the resident from pulling the chair over or pulling themselves off the seating surface and to prevent the resident from pulling movable objects onto the chair and themselves.

We recommend that the chair be used in a supervised area to prevent untrained residents, caregivers, or third parties from unauthorized operation, movement, or unsafe actions such as sitting or leaning on the reclined back, elevated footrest, or the armrests. These actions, if not prevented, put the chair at risk of tipping or damage to the chair.

We recommend that a chair only be located on a level surface to minimize the risk of tipping over.

### **2.5.4 Total Lock Wheel Brakes - "Danger of Falling"**

The special casters found on the BRODA chair have total lock brakes which prevent the wheels from turning and swiveling. The brakes must always be applied when:

- 1) the chair is not in use
- 2) the chair is not being moved by the caregiver
- 3) a resident is being transferred (moved) into or out of the chair;

It is important to note that if the wheel locks are applied while the patient is in the chair, that the caregiver does not leave the patient unattended, especially those patients who have the capability or tendency to move the chair and/or those who may be agitated. This could cause harm to the patient if they attempt to move the chair while the wheel locks are applied.

Note that removing and attaching the footrest may be easier for the caregiver with the brakes applied

Failure to follow these instructions will unnecessarily increase the risk of serious falls by residents, caregivers, or third parties caused by the chair unintentionally moving.

### **2.5.5 Re-Positioning of Resident - “Danger of Clamping”**

BRODA chairs offer the benefits of seat tilt, back recline, leg rest/footrest elevation, and moveable arms. During the movement of any of these functions, the following safety measures must be observed:

- 1) The resident’s arms must be positioned on the armrests or inside the chair frame with their hands on their body or on.
- 2) The resident’s feet must be correctly positioned on the footrest.
- 3) All of the chair’s brakes have been applied.
- 4) Only one caregiver at a time attempts to operate the chair’s functions.
- 5) Only one chair function is operated at a time.
- 6) The rear wheels are in the trailing position, behind the chair frame.
- 7) The residents’ and caregivers’ body are clear of all pinch points before operating the chair’s functions.

Failure to follow these safety measures can put the residents’ or caregivers’ limbs at risk of injury. Residents who may be unaware of their body position or unable to maintain a safe body position are at the most risk of the danger from clamping and caregivers should be more cautious with these residents. A second caregiver may be required to ensure the safety of these residents during these operations.

### **2.5.6 Unintended Movement - “Danger of Falling or Collision”**

We recommend BRODA chairs for indoor use within a long-term care institution and where there is not enough slope to cause the chairs to move unaided. Chairs used where the surface is uneven or sloped are at risk of unintended movement and could become a serious danger to the resident, caregiver(s), or a third party. We recommend that BRODA chairs are located away from stairwells, elevators, and exterior doorways within a long-term care institution.

### **2.5.7 Improper Restraint Use - “Risk of Serious Injury”**

We recommend that alternatives to physical restraints be used with residents while seated in the chair except under the specific instructions of the resident’s primary caregiver and with permission of the resident’s family or guardian.

## **2.6 Improper Use**

As outlined, the improper use of the chair is dangerous to the resident, caregivers, or third parties, and can consist of, but is not limited to the following:

- 1) Unauthorized operation of the chair’s functions.
- 2) Unauthorized movement of the chair.
- 3) Inappropriate use of the chair for a resident who has not been assessed by a qualified caregiver responsible for their seating.
- 4) Failure to frequently reposition the resident in the chair
- 5) Attempting to operate of multiple chair functions simultaneously by one or more caregivers.
- 6) Attempting to move the chair with the brake(s) applied.
- 7) Leaving the resident unattended in the chair near other objects.
- 8) Leaving an agitated resident in the chair in an unsupervised area.
- 9) Leaving a resident unattended.
- 10) Leaving a resident in a chair on a sloping surface.
- 11) Leaving a chair unattended on a sloping surface.
- 12) Using non-BRODA accessories on the chair.
- 13) Using the chair at temperatures below 0°C.
- 14) Using the chair for any use other than its intended purpose.



## 2.7 Cleaning

BRODA chairs should be wiped clean with soap and water. Diluted household strength ammonia or chlorine based cleaner, as well as a hospital grade cleaner may be used if necessary.

For best cleaning results, certain parts on the chair should be removed: Instructions for removal of the following parts are located in this manual: Ensure that the entire chair including removable and non removable parts is thoroughly cleaned.

Pay close attention to the frame, sockets, fasteners, parts and casters, for an even, thorough clean.

Remove parts for cleaning if desired:

- 1) Commode Seat
- 2) Swing Away/Removable Arms
- 3) Footrest
- 4) Commode Pan and Basket

Thoroughly clean all removable parts and padding, as well as the frame and components around the parts and padding that have been removed. To help maintain the function of the gas springs, we recommend keeping them lubricated after each use. A white food grade grease may be used. Solvents such as those found in spray lubricants should not be used.

BRODA chairs should not be cleaned with petroleum based cleaners. Any petroleum based products that come in contact with any vinyl surface should be removed as quickly as possible.

Frequency and method of cleaning the chairs should be determined by facility infection control protocols. If visibly soiled, thoroughly clean the chair immediately as per the cleaning instructions in this manual.

The cleaning instructions in this manual are guidelines only. Results may vary under actual conditions. The information does not relieve the user of proper and safe use of the product and all cleaning agents and consideration for the overall cleaning maintenance of the chair. Cleaning and care instructions must be followed in conjunction with facility infection control protocols.

BRODA will not accept warranty or liability claims on chairs that have not been cleaned according to the instructions or cared for in proper regard for patient, caregiver and third party safety and hygiene. The use of certain agents may be harmful to the surface appearance and lifespan of the vinyl. BRODA assumes no responsibility resulting from the use of such cleaning agents to the vinyl.

Touch up paint is available for the powder coated frame. Please call Broda's Customer Service Department if touch up paint is required. Do not leave BRODA chairs outdoors as the frame is not UV protected. Leaving the chairs outdoors could cause the paint to peel.

## **2.8 Maintenance**

The maintenance on a BRODA chair will vary with the amount of use and the condition of the resident using the chair.

In regular use, after the initial inspection and functional testing, the chair should be inspected and tested bimonthly. We recommend visually inspecting for signs of wear, damage, loose or missing fasteners, and other safety concerns. Periodic testing of chair functions is also necessary. If a breakage, defect, or operational problem is detected, the chair must be successfully repaired, inspected and tested for function before it is returned to service.

The chair should be inspected and tested as often as each use if the chair is used by:

- 1) Aggressive or agitated residents.
- 2) Residents who have involuntary movements.
- 3) Residents weighing over 220 lbs.
- 4) A facility with irregular or sloped surfaces.
- 5) Any unauthorized person.

Do not use lubricants that contain solvents. Solvents may compromise any rubber components on the chair. If necessary, white food grade grease or lubricant can be used on any sliding components.



### **3 OPERATION AND MOVEMENT**

Safety measures as described in Section 1 must be observed when operating the chair's functions or moving the chair. Only authorized caregivers should attempt to operate or move a chair. The caregiver must use proper body mechanics when operating the chair, and be prepared to support the weight of the resident while operating the chair.

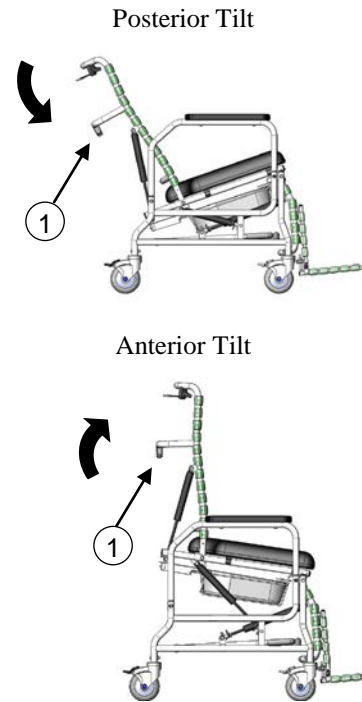
#### **3.1 Seat Tilt- Posterior and Anterior**

The seat can be tilted to any position from the most upright to the lowest or highest position within its range. This assists the caregiver in changing a resident's body position to minimize falling or sliding forward and improve the resident's comfort. The anterior tilt helps provide a safe sit/stand assist.

To Activate the Seat Tilt:

-Place right hand on bar to assist movement and squeeze tilt handle with left hand.

-Raise or lower seat tilt until desired angle is achieved



#### **3.2 Back Recline**

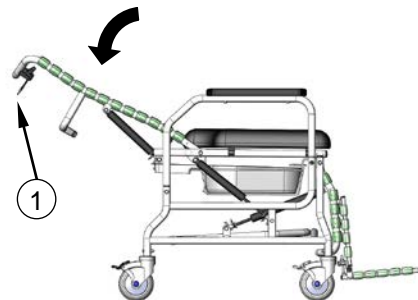
The back can be reclined to any position from the most upright to the lowest within its range. Use back recline to position the resident, assist with cleaning the abdominal area and with washing the resident's hair.

**WARNING: Always tilt slightly before reclining to prevent resident from sliding.**

- Place right hand on the tilt bar and squeeze the tilt handle with left hand.

- Raise or lower the back until the desired angle is required.

**WARNING: Do not operate tilt and recline handles together.**

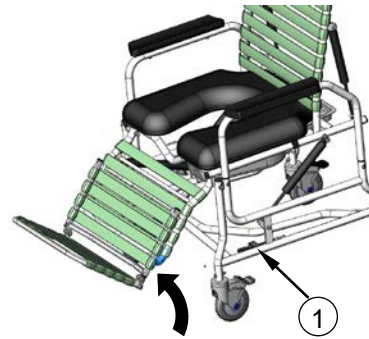


### 3.3 Elevating Leg Rest

Gas cylinders allow the leg rest to be positioned infinitely from horizontal to vertical. The leg rest elevates independently from the back recline.

To Adjust the Leg Rest:

- Hold the leg rest to assist movement and squeeze the leg rest handle.
- Raise or lower the leg rest to the desired angle.



### 3.4 Flip Down Footrest

The flip down footrest is removable and length adjustable.

To Attach the Footrest:

-Insert the right end of the footrest upper cross piece into the desired hole in the right side of the leg rest frame.

-Insert the left end of the footrest upper cross piece into the corresponding hole in the left side of the leg rest frame.

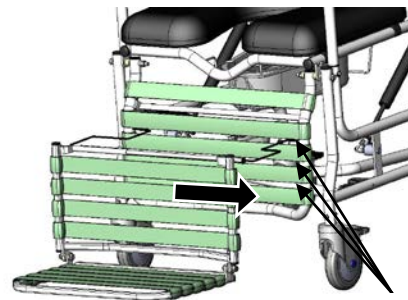
**WARNING: Do not attempt to stand on the footplates.**

-Release the tension on the spring mechanism.

To Remove the Footrest:

-Lift up the footrest slightly to discontinue contact between the straps on the footrest and leg rest.

-Squeeze the footrest to the right to activate the spring mechanism and release the left and right side.



Length  
Adjustment  
Increments

### 3.5 Swing Away Removable Arms

The swing away removable arms allow for side access to facilitate safe and easy transfers.

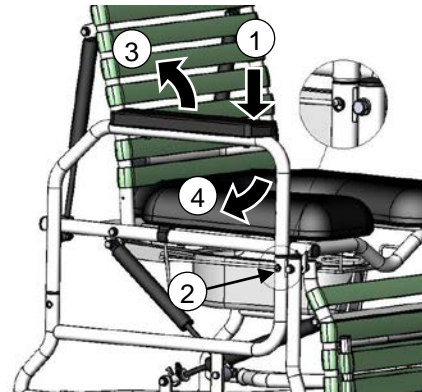
To Remove the Arms:

-Push down on the front of the armrest while pushing in the button on the side panel and allow the armrest to “pop up.”

-Swing the side panel away or remove completely.

To Insert the Arms:

- Insert the back end of the side panel into the back receptacle.



### 3.6 Removable Commode Seat

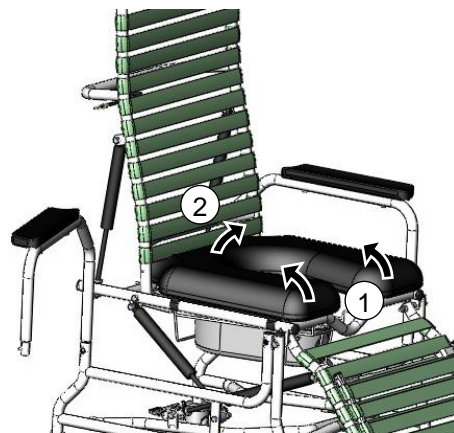
To Remove the Commode Seat:

- Lift up the front of the commode seat to release the clips from the front of the frame.

-Lift the rear of the commode seat to release the Clips from the rear of the frame.

To Attach the Commode Seat:

Place the seat directly onto the frame of chair, **ensuring all the clips are secured to the frame.**



### 3.7 Removable Commode Pan

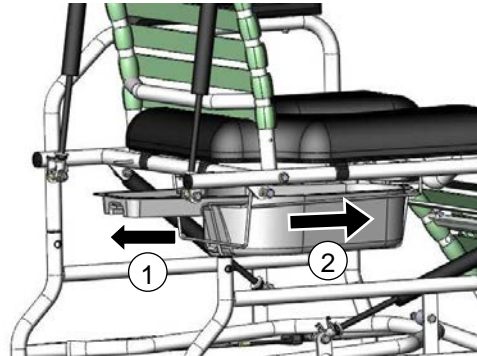
The commode pan and basket are removable for use of the chair over the toilet.

To Remove the Commode Pan:

- Lift up on the pan to release the hooks from the commode basket.
- Pull the basket towards the rear of the chair.
- Gently lift the pan up while keeping level, to release the hooks from the commode basket.

To Insert the Commode Pan:

- Insert the front hooks of the pan onto the commode basket.
- Push the pan towards the front of the chair.
- Insert the rear hooks of the commode pan on to the basket to secure in place.



### 3.8 Removable Commode Basket

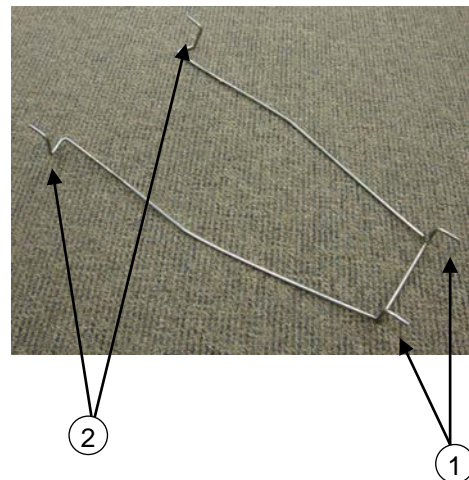
The commode basket holds the commode pan securely in place and is removable for cleaning.

To Insert the Commode Basket:

- Standing in front of the chair, insert the end of the basket with the short prongs into the holes at the front of the chair on the inner side of the frame. When inserting the front portion of the basket, ensure that the rear of the basket is underneath the cross piece at the rear of the chair.
- Insert the basket into the holes on the inner side of the rear cross piece. The basket will need to be pulled down to bend slightly, in order to fit into the holes.
- Once the basket is inserted into the holes in the cross piece, release the tension on the basket to secure into place.

To Remove the Commode Basket:

- Standing in front of the chair, remove the basket from the rear cross piece. The basket will need to be pulled down to bend slightly in order to release it from the holes in the cross piece. Remove the basket from front of chair.



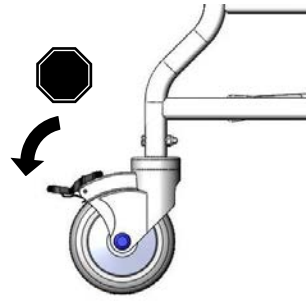
### 3.9 Casters

The CS 385 chair features three 5” stainless total lock casters and one 5” stainless rear directional locking (tracking) caster.

To Operate the Casters:

Step on/off the caster pedal to lock/unlock the caster.

**Always ensure the brakes are unlocked when wheeling the chair.**



### 3.10 Head Rest

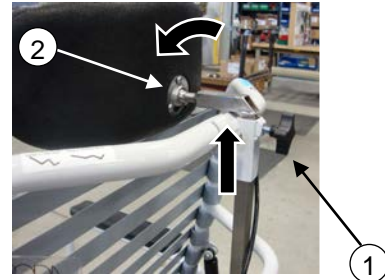
The CS 385 padded head rest is height and angle adjustable to accommodate various users.

To Adjust the Head Rest Height:

- Loosen the head rest hand wheel.
- Raise or lower the head rest to the desired height for the user.
- Tighten hand wheel to secure head rest in place.

To Adjust the Head Rest Angle:

- Use the appropriate Allen wrench to loosen the ball joint screws.
- Adjust the head rest to the desired angle for the user.
- Tighten the ball joint screws to secure head rest in place.



### 3.11 Accessories (Options)

We recommend BRODA accessories for use only on BRODA chairs. The correct installation of the BRODA accessory is very important. We recommend that the BRODA chair is ordered with the required accessories already installed. Only authorized caregivers who thoroughly understand the accessory installation procedures should attempt to install their BRODA accessories without assistance from their local BRODA representative. BRODA does not recommend use of other manufacturer's accessories on BRODA chairs.



## **4 INSPECTION AND FUNCTIONAL TESTING**

Safety measures as described in Section 1 must be observed when inspecting or testing a chair. Only authorized caregivers or maintenance staff should attempt to inspect or test a chair.

### **4.1 Inspection**

We recommend regular visual inspection for signs of wear, damage, loose or missing fittings, and other safety concerns. If a breakage, defect, or operational problem is detected, the chair must be repaired inspected and tested for function before it is returned to service.

We recommend that the chair be inspected as often as each use if there is any reason to be concerned about the possibility of increased wear or loose or missing fittings. **At a minimum, in regular use the chair should be inspected on a bimonthly basis.** The visual inspection procedure should include at least the observation of all the fittings (fasteners):

The visual inspection procedure should include at least the observation of the following parts:

- 1) The cylinders that position the seat tilt, back recline, and independent leg rest elevation.
- 2) The vinyl straps used in the seat, back, leg rest and footrest
- 3) The black handles and cables.
- 4) The clips on the commode seat

The visual inspection procedure should include the observation of any installed accessories. The visual inspection should be performed by the facility, or if in a private residence, by the individual responsible for the chair.

### **4.2 Functional Testing**

**We recommend that the chair should be tested for operation of the chair's functions without a resident in the chair.** The testing may be as often as each use if there is any reason to be concerned about the possibility of increased wear or damage to the chair's components. At a minimum, in regular use the chair should be tested for functions as described in Sections 3.

If the caregiver or maintenance department performing the functional testing believes that any function is not operating correctly, the chair should be taken out of service until a satisfactory functional test can be completed.

**The caregiver or maintenance department performing the testing should be aware that the seat tilt, back recline, and footrest (leg rest) elevation operations will be more difficult without a resident in the chair.** When performing repairs or maintenance, do not use lubricants that contain solvents. Solvents will damage many of the moving components in the chair. If necessary, a white, food grade grease (lubricant) may be used on the sliding components in the chair. Do not use spray lubricants on any part of the chair.

## **5 TECHNICAL INFORMATION**

### **5.1 Specifications**





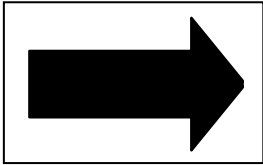
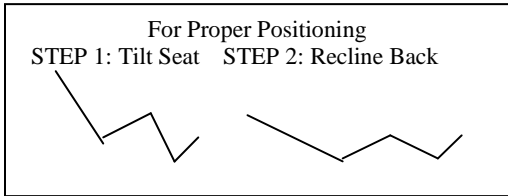
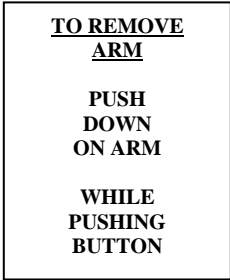
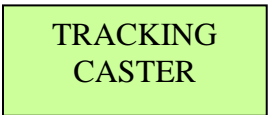
#### Standard Features of CS 385 Shower Commode Chair

1. Back Recline: Up to 67 of back recline° (infinitely adjustable)
2. Seat Tilt: Up to 12° of posterior seat tilt (infinitely adjustable)  
Up to 10 ° of anterior seat tilt (infinitely adjustable)
3. Frame: 16 gauge powder coated stainless steel
4. Chair Surface: Padded removable commode seat with 4 way stretch urethane foam cover  
  
BRODA Comfort Tension Seating™ on backrest, leg rest and footrest. Strapping is 1.5” wide, by .130” thick; contains fungicide, has shape memory retention, is fire retardant
5. Arms: Swing away and removable
6. Leg Rest: Leg rest adjusts independently of back recline  
Leg rest adjusts to any angle between horizontal and vertical
7. Footrest: Flip down removable/adjustable footrest
8. Commode Pan Removable commode pan with grip handle, removable commode basket
9. Casters: Three 5” total lock stainless casters, one 5” directional locking (tracking) stainless caster
10. Seat Depth: 18”
11. Seat Height: 24.5”
12. Seat Width: 18” or 22”
13. Overall Width: 24.5” (for 18” seat width), 28.5” (for 22” seat width)
14. Weight Capacity: 400 lbs
15. Overall Weight: Approx. 85 lbs standard features
16. Head Rest Padded, adjustable head rest

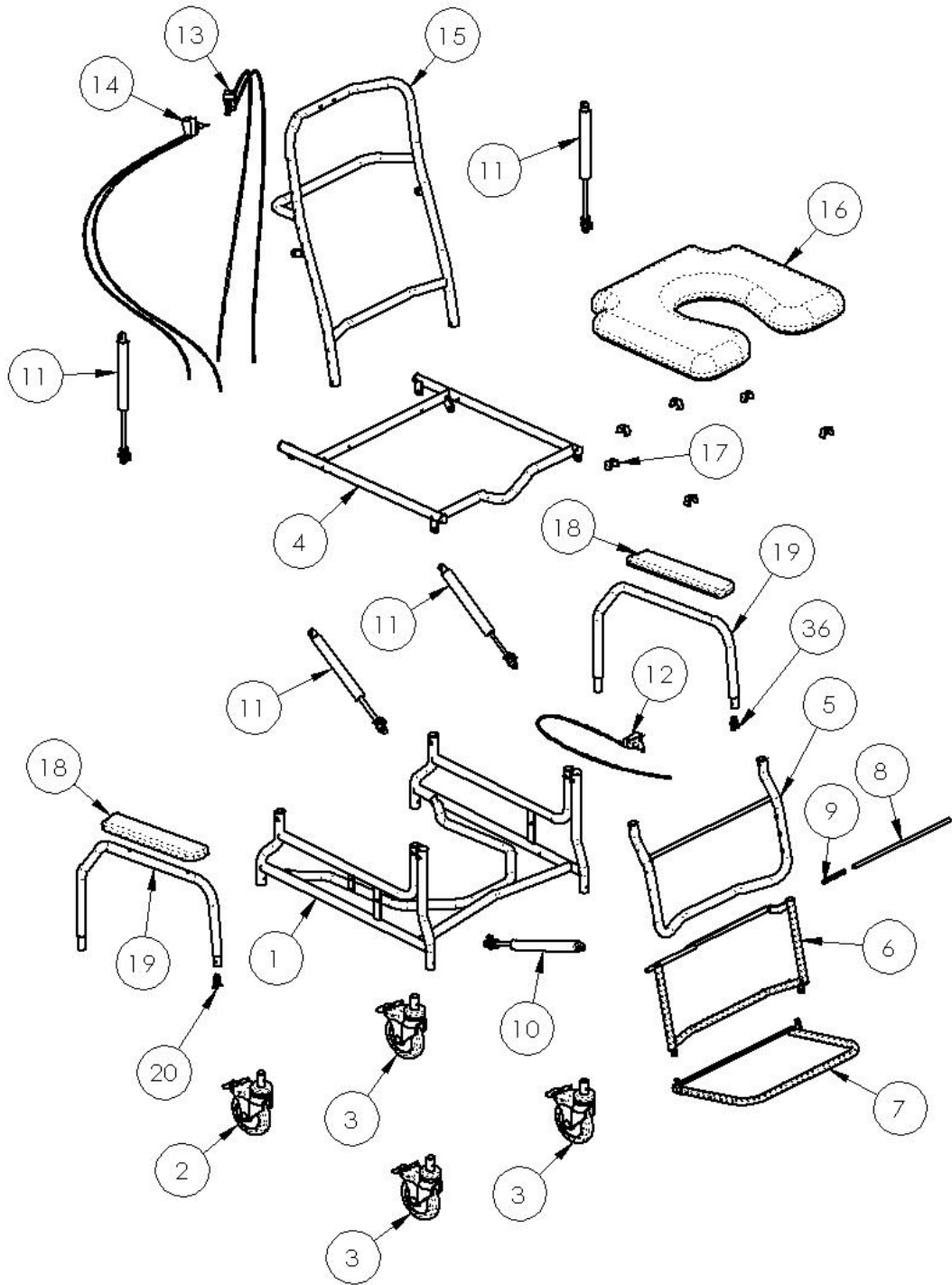
All dimensions are ± 0.5”.

## 5.2 Labels

BRODA uses certain labels to assist caregivers to identify items which permit the operation of the chair's functions.

<p>Manufacturer's Label (White)</p> 		<p>Serial Number Label (Gray)</p> 
<p>Recline Label (Blue)</p> 	<p>Tilt Label (Tan)</p> 	<p>Footrest Attachment/Detachment Label (White)</p> 
<p>Tilt and Recline Label (White)</p> <p>For Proper Positioning STEP 1: Tilt Seat    STEP 2: Recline Back</p> 		<p>Removable Armrest Label (Grey)</p> 
<p>Tracking Caster (Green)</p> 		

5.3 BRODA Seating CS 385 Parts Schematic Drawing- January 1, 2012



#### 5.4 BRODA Seating CS 385 Parts Schematic Legend- January 1, 2012

#	Description	Part Number
1.	Base Frame CS385 (width)	BASE-CS385
2.	Caster 5 Stainless Steel Directional Lock	CASTER-5"DL-SS
3.	Caster 5 Total Lock Stainless Steel	CASTER-5"TL-SS
4.	Seat Frame CS385 V2 (width)	SEAT-CS385V2
5.	Legrest Frame for CS385(width) (color)	LGRT-CS385
6 & 7.	Footrest Frame Single CS385 (3 or 4 strap) (width) (color)	F-SINGLE-CS385
8.	Frame Foot Rod (width)	F-ROD
9.	Footrest Spring 3.25 Long	F-SPRING
10.	Cylinder gas spring 300N and Actuator w/lever	CYLSS-LOCK-KIT
11.	Cylinder gas spring 270N and Actuator w/lever	CYLSS-LOCK-KIT
12.	Cable and Handle Assembly (cable length 48)	CABLE-HAND
13.	Double Cable and Handle Assembly (cable length 32)	CABLE-HAND-DBL
14.	Double Cable and Handle Assembly (cable length 48)	CABLE-HAND-DBL
15.	Back Frame CS385 (width)	BACK-CS385
16.	Seat Commode Padded CS385 (size)	SEAT-PD-CS385
17.	Clips for Padded Seat	CLIP-PD
18.	Armrest Soft	AR
19.	Arm Top Frame CS385	ARM-TOP-CS385
20.	Spring for Armbottoms/wings	DETENT-PIN

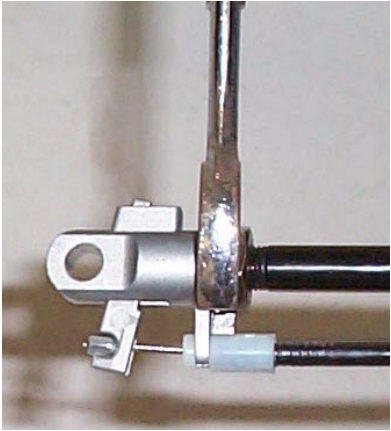
## 6 COMMON TROUBLESHOOTING AND REPAIR

Please have the chair serial number ready when contacting BRODA or your local area representative for parts or assistance for your chair. The serial number can be found on a grey sticker on the rear of the chair.

### 6.1 Troubleshooting for Gas Cylinders

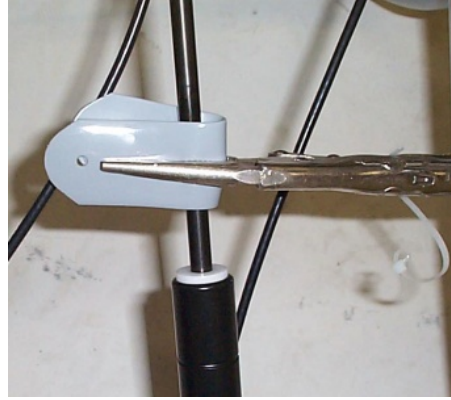
The use of gas charged springs (cylinders) on BRODA products allows the caregiver to easily make adjustments to the tilt, recline, and leg rest with a minimal effort. The gas cylinders contain Nitrogen gas, it is not flammable nor is it toxic. The cylinders provide a lifting force which counterbalances the weight of the occupant thereby reducing the amount of weight the caregiver needs to lift.

Symptom	Problem	Solution
The chair is not reclining or tilting or leg rest is not moving when the handle is squeezed	The pin in the end of the cylinder is not being depressed when the handle is pulled.	Ensure the cable is attached to the cylinder actuator. If cable is attached, see <b>Adjustment Step</b> sbelow.
The chair (tilt, recline or leg rest) seems to slowly slide out of position	The pin in the end of the cylinder may be still partially depressed.	See <b>Adjustment Steps</b> below:

Adjustment Steps:	
<p>-Loosen the lock nut located on the stem of the gas cylinder next to the actuator (17mm or 11/16" wrench)</p> <p>-From the above instruction determine whether you want to wind the stem further into the actuator or further out of the actuator. <b>Wind the stem further into the actuator if the chair is not tilting or reclining, (wind clockwise) and wind it further out of the actuator if the chair is slowly sliding out of position. (wind counter-clockwise)</b></p> <p>-Wind the stem in the correct direction one half turn.</p> <p>-Check the function of the cylinder and repeat the above step until the cylinder functions properly.</p> <p>-Tighten the lock nut loosened in the first step.</p> <p>-If adjusting the cylinder does not correct the problem, the cylinder may need to be replaced. Please contact BRODA at or your local area representative.</p>	 <p><b>Note: Cylinder does not need to be removed from the chair to make this adjustment.</b></p>

**Note:** When adjusting cylinders with tools that come in contact with the cylinder rods, a cloth or some other protective material must be used to protect the sliding surface of the rod. If the rod becomes scratched or marred it will damage the seal on the cylinder and the cylinder will fail.

**Damaging a cylinder in this fashion voids the manufacturer's warranty.**



## **7 WARRANTY**

### **BRODA SEATING WARRANTY**

BRODA provides a Three Year Warranty on the chair frame, and a One Year Warranty on all other components subject to the following conditions:

No warranty is provided on seat pads or cloth covers.

The chair frames are guaranteed for three years against structural defects or failure. All other parts (except seat pads and cloth covers) including but not limited to strapping, cushions, gas springs and attachments, casters, wheels, brakes and armrests are guaranteed for one year against defects in materials and workmanship based on normal institutional use. The guarantee does not cover malicious or deliberate damage or damage from misuse. The guarantee does not cover use of BRODA chairs in a shower or pool, with the exception of the BRODA Commode/Shower Chair.

Modifications to BRODA products or the use of non-BRODA supplied parts voids the warranty. This warranty does not cover shipping damage (see below).

BRODA will provide new or refurbished parts for installation by the owner at no cost following confirmation by the local BRODA Representative or the BRODA Head Office Customer Service Representative. On request, defective parts must be returned to the factory within thirty days of receipt of the replacement parts by the owner. If the defective parts are not returned to BRODA on request, the owner will bear the cost of the replacement parts on invoice from BRODA.

Warranty does not include on-site labor for the installation of warranty parts or warranty repairs. The owner may return to BRODA products for warranty replacement or repair by shipping items prepaid and insured to the factory. Warranty completed at the factory includes both materials and labor. The decision to repair or replace parts is at the discretion of BRODA. All returns to the factory require prior authorization from BRODA.

BRODA retains the right to make design and application changes without notice. All orders will be filled with BRODA's current models unless otherwise specified by the purchaser.

BRODA chairs are designed for patient mobility, positioning, and comfort in specialty seating, however, the application of BRODA products shall remain the responsibility of the purchaser or user.

This warranty is not transferable.

### **RETURNS**

BRODA Seating will not accept any returns without a prior Returned Goods Authorization Number.

### **DAMAGED FREIGHT**

#### **NOTIFY THE CARRIER OF ANY DAMAGE IMMEDIATELY**

It is the responsibility of the person receiving the goods to examine cartons and goods before accepting receipt. Note all damages on the bill of lading and file a claim if necessary. Notify the carrier of any concealed damaged within 48 hours of receipt.

BRODA insures all products for in transit damage, failure to notify the carrier of in transit damage voids both the insurance and the BRODA warranty.

### **SALES TAX**

Most BRODA products are G.S.T. Zero Rated and Exempt from Canadian Provincial Sales Tax. Purchasers may be required to check with their Provincial or State Tax Office for purchaser tax payment.