

ACTA-CONTOUR®

Attaching Quick Release Compass Hardware (2 Point)
and Quick Release Compass Hardware (4 Point)



ACTA-CONTOUR®

Attaching Quick Release Compass Hardware (2 Point)

Parts Included:

- 1 - Complete Acta-Contour® Assembly with Quick Release Compass Hardware (2 Point)
- 1 - 5 mm Hex Key
- 1 - 2.5 mm Hex Key

- 1 Loosen the two clamp bolts (A) on both sides using the 5mm Hex Key. Tighten the clamps onto the left and right wheelchair canes.
Tip: Make sure the clamps are the same height relative to one another on the canes.
Tip: Make sure the clamps sit square to the wheelchair.
- 2 Slightly loosen bolts (B) above and below the triangle on both sides using the 5 mm Hex Key. Slide the triangle in or out until the wheelchair canes are relaxed.
The triangle brackets adjust in and out to accommodate varying sized wheelchairs. The Acta-Contour® can fit onto a wheelchair 1" narrower to 1" wider of the purchased size.
- 3 Triangle Height Adjustment: Make sure the left and right triangles are at the same height relative to one another on the backrest shell. When triangles appear to be in line, finger-tighten bolts (B) on both sides, open quick release levers (C), and remove/install the backrest.
Note: The quick release levers may be tight when first actuated, but will loosen after 1-3 times.
- 4 If the backrest was able to be removed and reinstalled smoothly, no additional height adjustments are needed. If further adjustments are needed, repeat step 3. Fully tighten bolts (B) when adjustments are complete using 5 mm Hex Key.
The installation of the backrest is complete. Adjustments for depth, angle, and height can now be made. The user can be seated during this process.
- 5 Angle and Depth Adjustment: Loosen the two bolts (D) on both sides using the 5 mm Hex Key. The backrest can be slid forward/backwards, and can also be rotated angularly. Tighten all four bolts when the backrest depth and angle are adjusted.
IMPORTANT: When installation and adjustments are complete, all bolts should be tightened to a minimum of 85 in-lbs. *This does not include set screws.
- 6 Tighten set screw (E) on both sides using the supplied 2.5 mm Hex Key to lock angle rotation. These set screws intersect with the top bolts and prevents angle rotation.
- 7 Tighten set screw (F) on both sides using the 2.5 mm Hex Key to prevent vertical movement and angular rotation of the clamps.

Attaching Quick Release Compass Hardware (4 Point)

Parts Included:

- 1 - Complete Acta-Contour® Assembly with Quick Release Compass Hardware (4 Point)
- 1 - 1/8 in. Hex Key 1 - 2.5mm Hex Key
- 1 - 5mm Hex Key

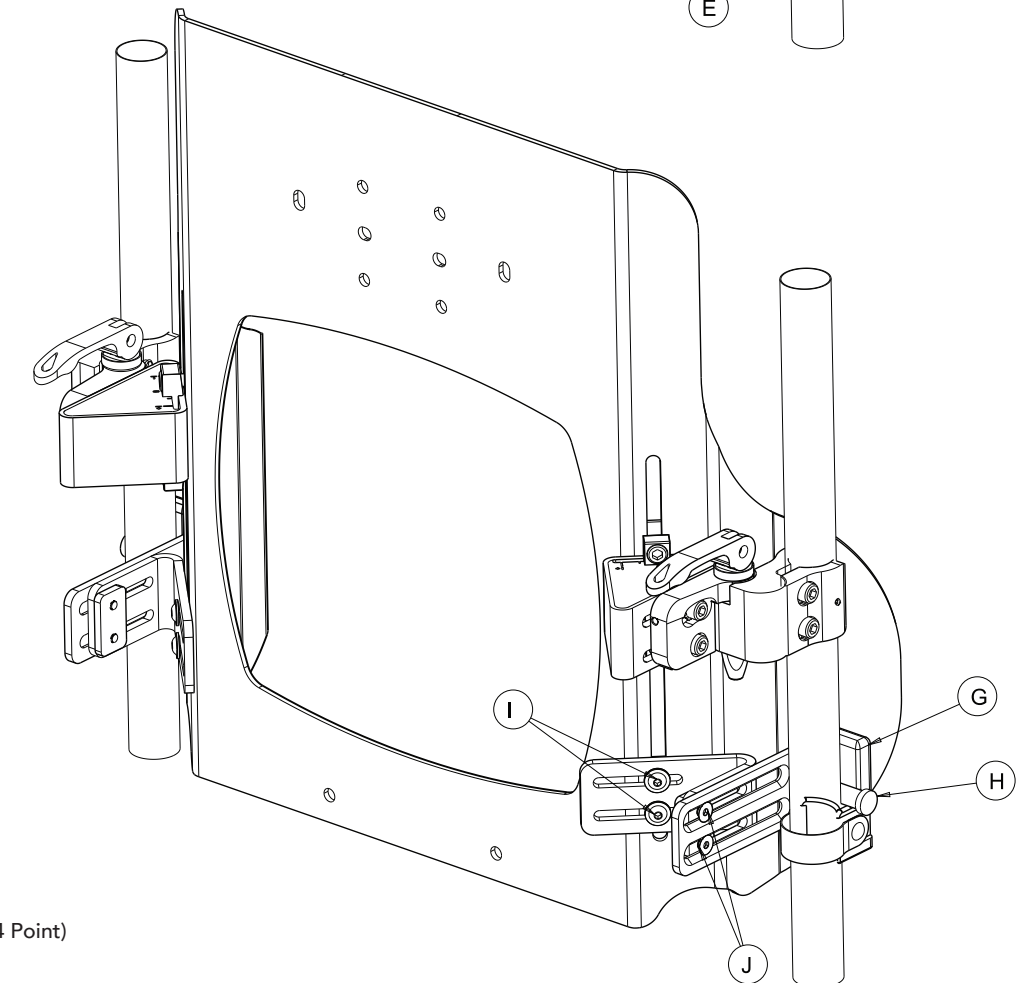
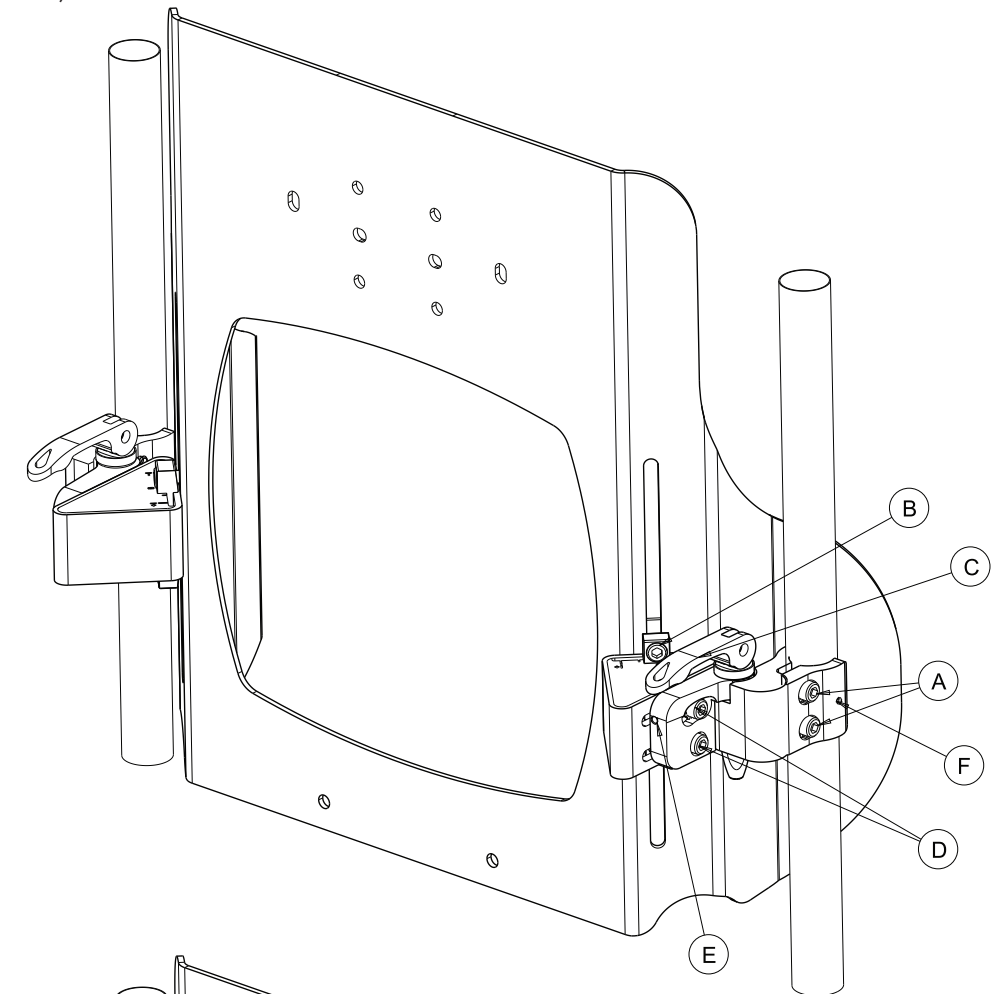
- 1 Gently loosen bolts (I) and (J) on both sides to allow for adjustment of all mounting brackets using 1/8 in. Hex Key.
Refer to 2 Point instructions # 1 - 7.
- 2 Attach the cane mounts (G) facing forward as shown at the desired height, keeping each cane mount symmetrical. To attach the cane mount, remove one side screw securing the metal strap, wrap the strap around the cane, tighten both side strap bolts, and tighten the rear screw to secure.
- 3 Place the mounting pegs (H) into the grooves on the cane mounts (G) on both sides.
- 4 When hardware is properly placed, be sure to secure bolts (I) and (J) tightly on both sides.

The Acta-Contour® has patented moldable aluminum stays inserted into the cover. These stays can be molded to meet the contour of the spine.

How to Mold the Aluminum Stays:

1. Feel between the backrest and the user's back for gaps and/or identify areas that require positioning adjustments.
2. Unzip access at the top of the back and remove the stays.
3. Mold the stays to fill in the gaps and/or provide positioning.
4. Reinstall the stays and have the user rest against the Acta-Contour®.
5. This is an iterative process, continue making adjustments until the proper support and positioning goals have been met.

Attaching Quick Release Compass Hardware (2 Point)



Attaching Quick Release Compass Hardware (4 Point)