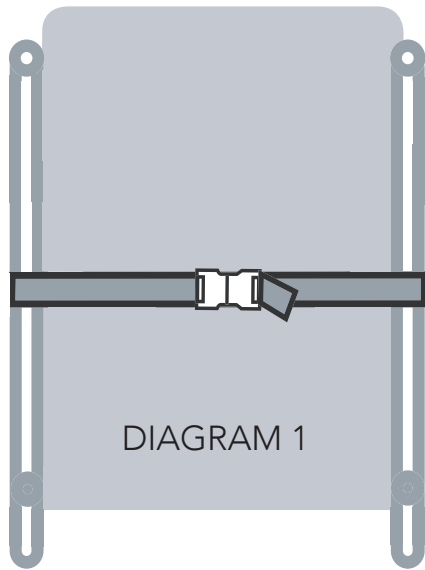
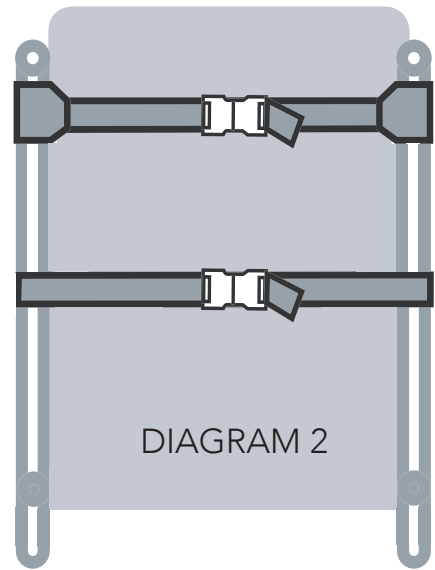


---

## BACK INSTALLATION



See diagram 1 for SideHugger<sup>®</sup>, Contour Visco Back, and the Comfort Back



See diagram 2 for SideHugger<sup>®</sup> Tall and the Tall Back.

- 
- 1** Place back in front of existing wheelchair back.
  - 2** Grab straps and wrap around tubing.
  - 3** Connect straps, and tighten.