

# COMFORT FOOT DOUBLE

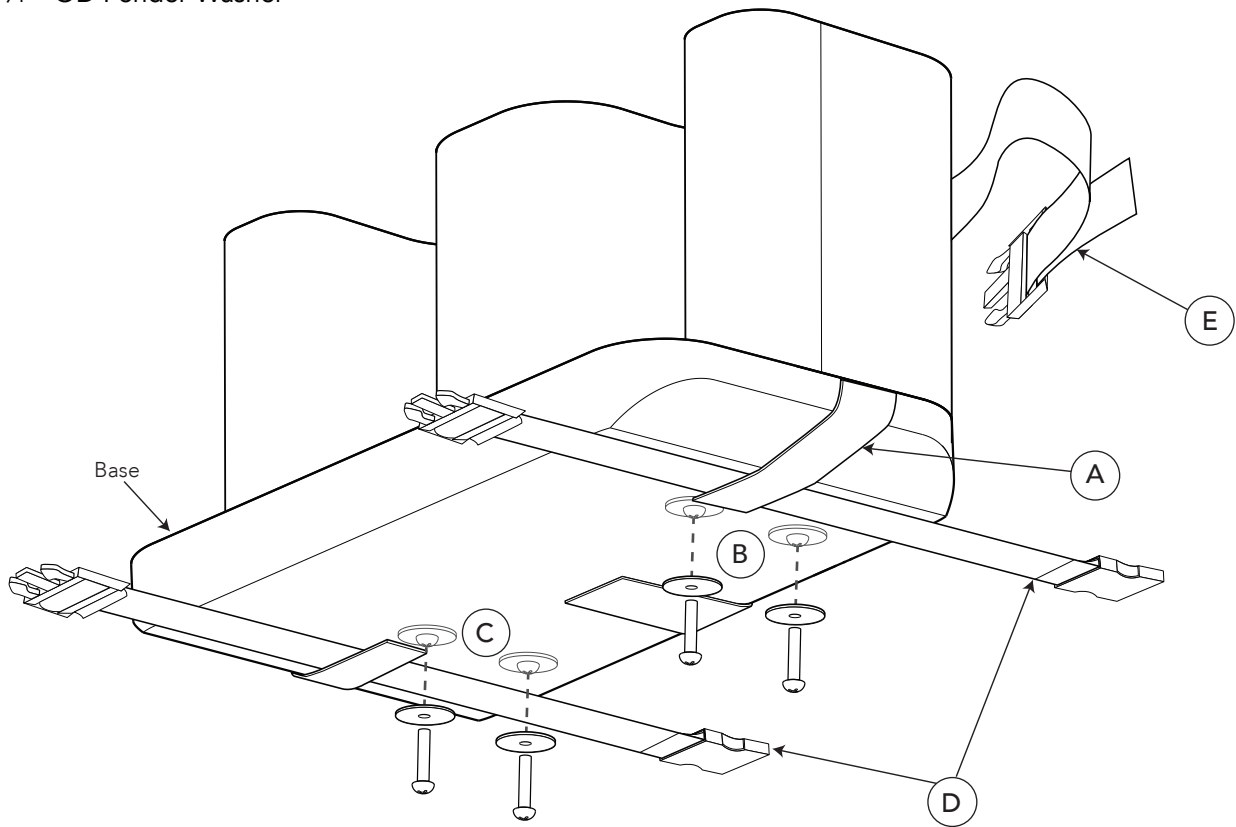
**WARNING:** Make sure all screws are tightly secured upon completion.

## Bolt On

### Parts Included:

2 - 1/4-20 x 1" or 1/4-20 x 1 1/4" Screws (dimensions vary depending on style of part)

2 - 1/4" x 1 1/4" OD Fender Washer



Comfort Foot Double with Leg Separator shown

- 1** Place the provided left or right footplate template on the wheelchair footplate in the desired position.
- 2** Drill two 5/16" diameter holes through the footplate as marked on the template.
- 3** Adjust Comfort Foot Double to desired angle using base straps (A).
- 4** Screw two 1/4-20 x 1" or 1/4-20 x 1 1/4" bolts\* with the provided washers into position (B) for left side or (C) for right side from the bottom of the footplate into the Comfort Foot Double base. \*Note: use 1" bolts for Comfort Foot Double with Gel.
- 5** Wrap footplate straps (D) around wheelchair footplates and secure using side-release buckles.
- 6** Wrap rear strap (E) around leg rest tubing and secure with side release buckle. Tall style uses two rear straps to secure.

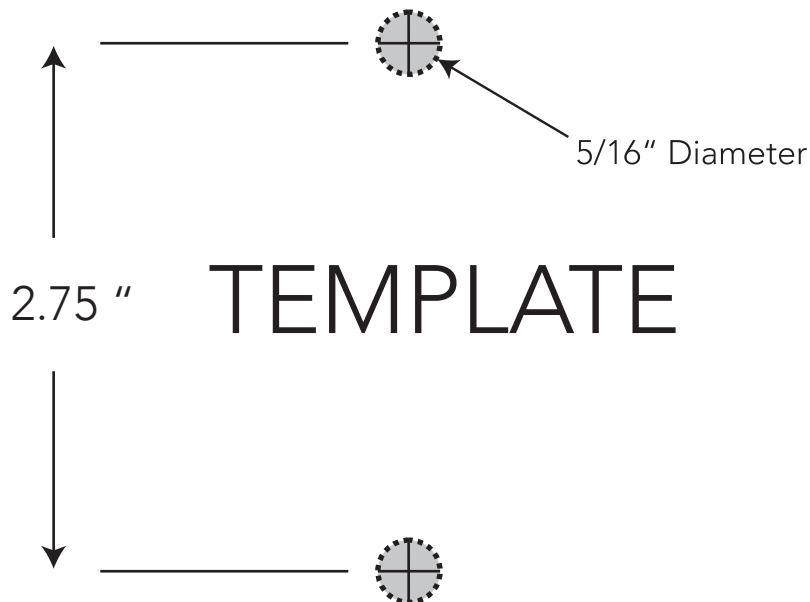
Bolt on installation with securing buckle allows the Comfort Foot to swing away for patient transfers. Note: product can be installed with securing buckles only.



# Comfort Foot Double<sup>®</sup>

## BOLT-ON

(for right footplate)



- 1** Place template on the wheelchair footplate in the desired position.
- 2** Drill two 5/16" holes using the template above.

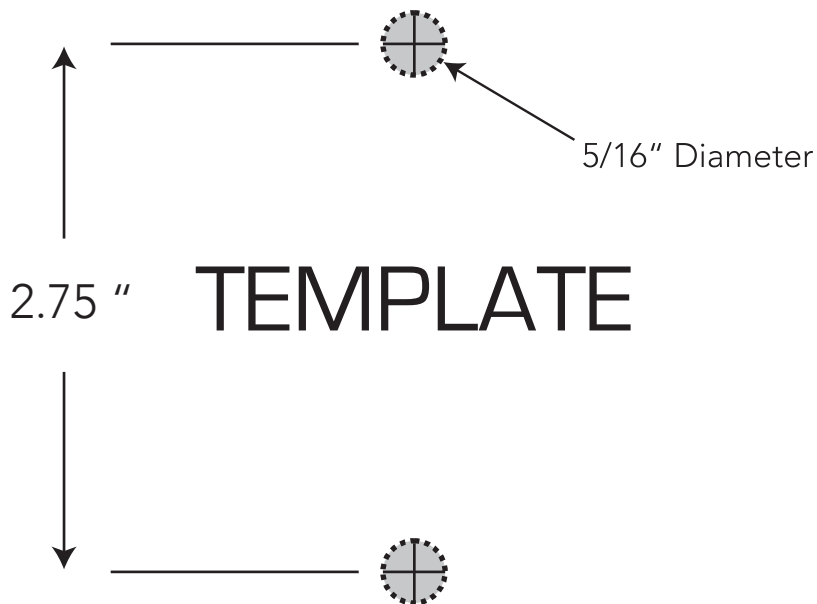




# Comfort Foot Double<sup>®</sup>

## BOLT-ON

(for left footplate)



- 1** Place template on the wheelchair footplate in the desired position.
- 2** Drill two 5/16" holes using the template above.