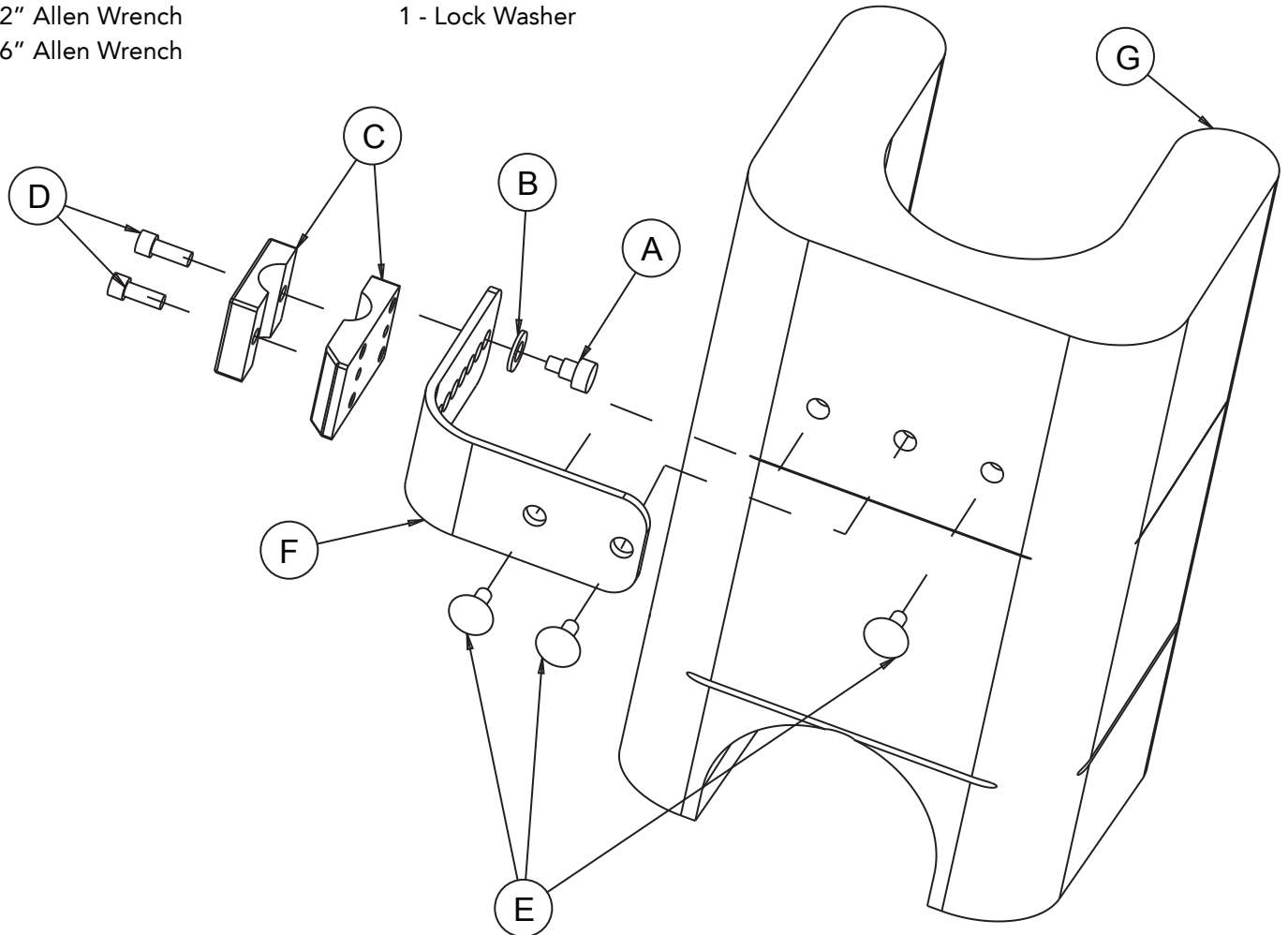


ELEVATING LEG REST PAD (698LE & 698TLE)

Parts Included:

- | | |
|---|---|
| 1 - Complete Feet Foam Assembly | 1 - Clamp and Bracket Hardware Assembly |
| 3 - 1/4 - 20 x 3/4" Truss Pan Head Screws | 1 - 5/16" Shoulder Bolt |
| 1 - 5/32" Allen Wrench | 1 - Lock Washer |
| 1 - 3/16" Allen Wrench | |



- 1 Insert the shoulder bolt (A) into the washer (B), mounting bracket (F) and thread securely into the interlock cane clamp (C).

**NOTE: The various holes on the mounting bracket (F) allow for varying foam height mounting.*

- 2 Attach the interlock cane clamp to the leg rest wheelchair tube. For 1" diameter tubes, use the longer socket head cap screws provided in the products kit bag.

- 3 Attach the mounting bracket (F) to the foam pad assembly (G) using two of the pan head screws (E). The third screw is provided for aesthetic purposes.

**NOTE: The provided diagram shows the assembly instructions for the left side leg rest.*