

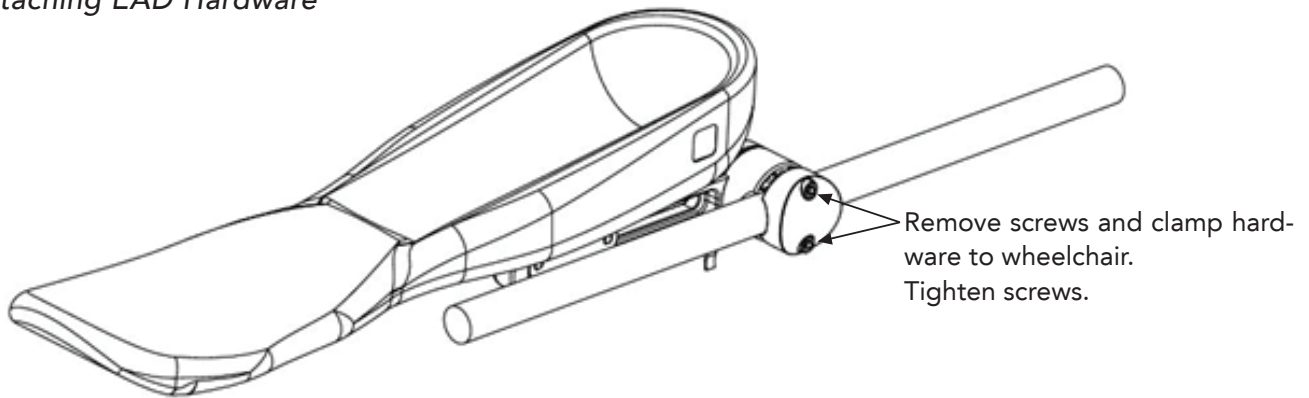
# EAD ARM REST HARDWARE

## ELEVATING, ARTICULATING, DEPTH ADJUSTABLE

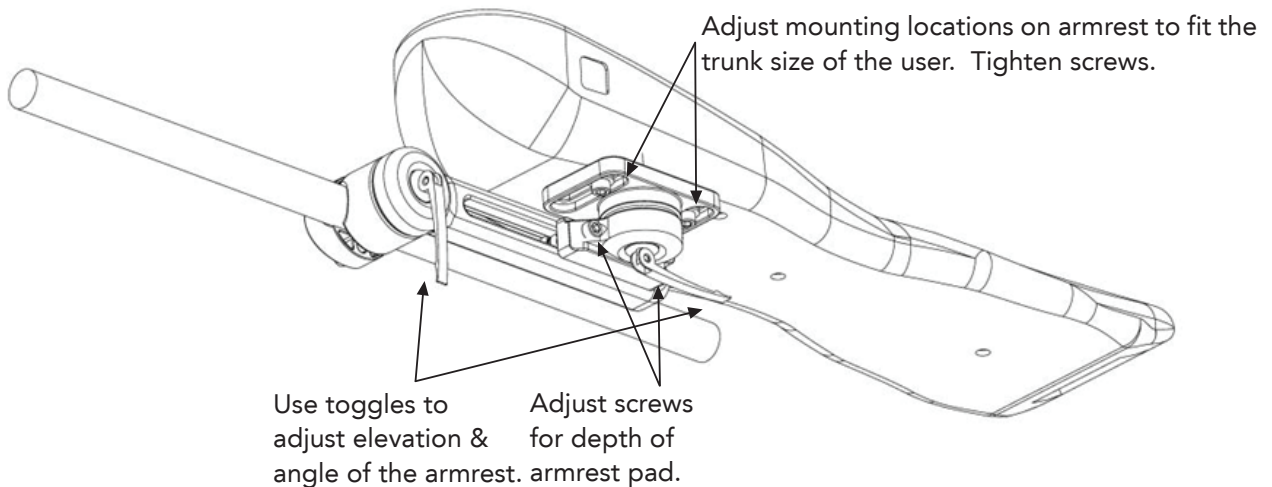
### PARTS INCLUDED:

- 1 - 3000R-HARD OR 3000L-HARD
- 1 - Armrest Pad
- 1 - 3/16" Hex Key Wrench

**Figure 1:**  
*Attaching EAD Hardware*



**Figure 2:**  
*Adjusting EAD Hardware*



**NOTE: Shown with Molded Arm (2300R-PAD or 2300L-PAD)**