

## Limited Lifetime Warranty

This Roscoe Medical product is warranted to be free of defects in materials and workmanship for the lifetime of the original consumer purchaser.

This device was built to precise standards and carefully inspected prior to shipment. This Lifetime Limited Warranty is an expression of our confidence in the materials and workmanship of our products and our assurance to our customers for years of dependable service.

In the event of a defect covered by this warranty, we will, at our option, repair or replace the device. This warranty provides only for replacement of defective parts and does not cover shipping labor charges. Roscoe's sole obligation and your exclusive remedy under this warranty is limited to such repair and/or replacement.

This warranty does not cover product failures due to normal wear and tear or device misuse. This warranty does not extend to non-durable components, such as rubber accessories, which are subject to normal wear and require periodic replacement.

This warranty shall not apply to serial numbered products if the serial number has been removed or defaced, or to defects or damages caused by unauthorized parts, attachments or repairs, negligence, accident, circumstances beyond Roscoe's control, or improper operation, maintenance or storage.

If you have a question about your Roscoe product or this warranty, please contact an authorized Roscoe Dealer.



6753 Engle Road  
Middleburg Heights, Ohio 44130 USA  
Made in China

## Toilet Safety Frame



## Installation Instructions

**WEIGHT CAPACITY : 300 lbs.**

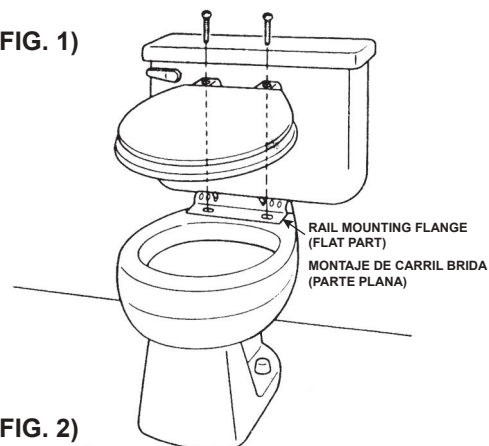
1. Detach seat by first removing toilet seat bolts.
2. Place the rail mounting flange on the toilet and align the holes.
3. Place toilet seat and align holes. (Fig. 1)
4. Realign bolts and tighten securely.
5. Slide assist rails into flange bride and secure them with built-in snap buttons. (Fig. 2)
6. Set rail to desired width and height by using the built-in snap buttons. Make sure all built-in snap buttons are secured before use.

## Instrucciones de Instalación

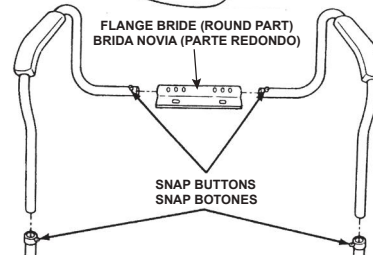
**WEIGHT CAPACITY : 300 lbs.**

1. Quite el asiento removiendo primero los tornillos del asiento del inodoro.
2. Coloque la placa de montaje de la barra en el inodoro y alinee los orificios.
3. Coloque el asiento del inodoro y alinee los orificios (Fig.1).
4. Realinee los tornillos y ajústelos firmemente.
5. Deslice las barras de ayuda dentro de la parte tubular de la placa y asegúrelas con los botones de presión incorporados (Fig. 2)
6. Ajuste la barra a la anchura y altura deseadas usando los botones de presión incorporados. Asegúrese que todos los botones de presión incorporados están firmes antes de usar el producto.

(FIG. 1)



(FIG. 2)



(FIG. 3)

