

# CHILD RESTRAINT SYSTEM

# CARROT 3

# BOOSTER SEAT



- **Adaptive Positioning**  
High density foam inserts for optimal positioning and maximum comfort
- **Grows With Your Child**  
Able to accommodate growth from 79-165 lbs / 55"-69"
- **"Free Angle" Recline up to 180°**  
Conforms to the vehicle's seat
- **LATCH Equipped**  
Lower anchors and tethers for children for easy and safe installation
- **Offers a Large Configuration**  
To meet the needs of children and adults who require back height support and a wide seat

## Shoulder Protector Wings



Gives lateral shoulder support and protection (Width Adjustable)

## Wide Seat



The Carrot 3 Booster Seat is for users who require a wide seat (16.5")

## 4-Point Positioning H-Harness



To maintain midline positioning of the trunk for increased postural control

## Booster Kit



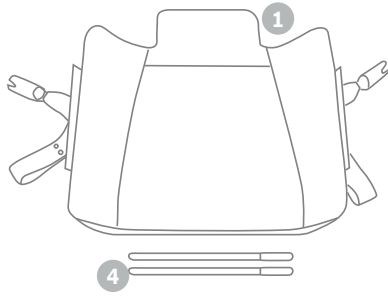
Option to transform an existing Carrot 3 into a booster in 3 easy steps

**Lightweight • Compact Folding • Convenient**

 **Convaid**  
*Now You're Going Places*

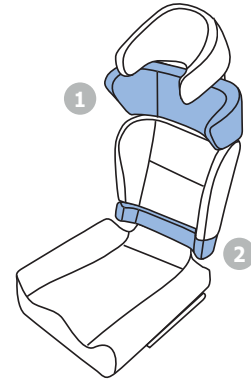


### Carrot 3 Booster Kit (Option to transform Carrot 3 Seat to Booster Seat)



- 1 **Booster Seat Base**
- 2 **4-Point Positioning H-Harness**
- 3 **H-Harness Attaching Bracket**
- 4 **Backrest Attaching Metal Rods**

### Carrot 3 Booster Kit Required Extensions



- 1 **Shoulder Protector Wings**
- 2 **2" Backrest Extension**

### Accessories



**Booster Support Tray**  
(Crash Tested)



**Seat Angle Adjustment Wedge**  
(Height 4.25")



**3D Body Balance Pads**



**Backrest Extension**  
(4")

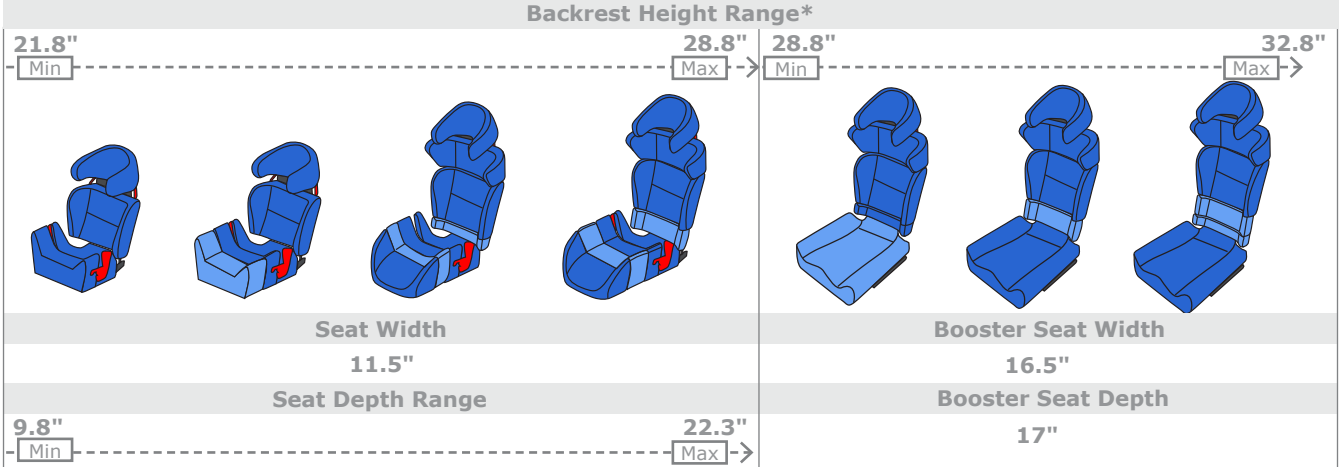
### Upholstery Colors



### Carrot 3 Specifications with Extensions

Carrot 3 Car Seat

Carrot 3 Booster Seat



\*Height is measured from the top of the headrest to the seat.

### Booster Seat Standard Specifications

Measurements:	Seat Width	Seat Depth	Backrest Height	Head Support Height	Recline Adjustment	Product Weight	Product Overall Width
INCHES	16.5	17	28 - 33	8.5	90° - 180°	21 lbs	20 - 22
INCHES	User Weight Range	User Height Range	Shoulder Protector Wings Height	Backrest Height	Backrest Extensions Height	Shoulder Wing Width Adjustment	
	79 lbs - 165 lbs	55 - 69	6	11.8	2 or 4	15.25 - 19.25	

Use only Convoid options and parts on Convoid products. Convoid parts are not interchangeable with other manufacturer's products. Replace any worn parts immediately. Note: Convoid maintains a policy of continual product improvement; therefore, we reserve the right to make changes without notice.