

# Convoid Trekker - HCPCS E1234

## Retail Price List / Order Form

Account #: \_\_\_\_\_  
 Contact: \_\_\_\_\_ ATP/RTS: \_\_\_\_\_

Purchase Order #: \_\_\_\_\_ Date: \_\_\_\_\_  
 Mark For: \_\_\_\_\_

Bill To:	Ship To:
Address:	Address:
City/State/Zip:	City/State/Zip:
Phone:	Phone:
Email:	

### Trekker Standard Features:

- **TR14 Base Accepts TR12 & TR14 Seating**
- Tilt-in-Space (-10° to +45°)
- 180° Reversible Seating Configuration
- 90° Fixed Front Rigging
- Single Foot Activated Wheel Lock Bar
- 7.5" x 2" Front and 11.5" x 2.5" Rear Solid Tires
- One Piece Height Adjustable Push Handle (Inside Mount)
- Silver Powder Coated Frame
- 90° Fixed Footplate
- Quick Release Rear Wheels
- Seat to Back Angle (80° to 110°)
- Depth Adjustable Seat Pan
- Made in the USA

**Standard Models:**

- Trekker Seat Module - C904768
- Trekker Standard Base - C904661

**Price**  
**\$1,578**  
**\$920**

### Trekker Seating Module

	<u>Price</u>	<u>HCPCS</u>	<u>TR12</u>	<u>TR14</u>
<input type="checkbox"/> Trekker Seat Width 12"	N/C		C905515	
<input type="checkbox"/> Trekker Seat Width 14"	N/C			C905516
<input type="checkbox"/> Transit Option (Manufacturer Installation Required)	<b>\$209</b>	<b>K0108</b>	C904576	C904576
<b>Back Module Options - Select one below:</b>				
<input type="checkbox"/> Back Canes Only <sup>1</sup>	N/C		C508446	C508447
<input type="checkbox"/> Height Adjustable Solid Back (Back Height Adjustment Range TR12: 9" - 17"/TR14: 17" - 26") <sup>1</sup>	<b>\$547</b>	<b>E2293</b>	C904662	C904663
<b>Seating Module Options (See chart on order form):</b>				
<input type="checkbox"/> Seat Depth Position 1 (TR12: 5.5"-8"/TR14: 8"-10")	<b>\$0</b>		C905354	C905357
<input type="checkbox"/> Seat Depth Position 2 (TR12: 7.5"-10"/TR14: 10"-12")	<b>\$0</b>		C905355	C905358
<input type="checkbox"/> Seat Depth Position 3 (TR12: 9.5"-12"/TR14: 12"-14")	<b>\$0</b>		C905356	C905359
<input type="checkbox"/> Seat Depth Position 4 (TR12: NA/TR14: 13"-15")	<b>\$0</b>			C905360
<b>Height Adjustable Solid Back Options</b>				
<input type="checkbox"/> Recline System (80 to 170 degrees) (Manufacturer Installation Required)	<b>\$501</b>	<b>E1226</b>	C905053	C905053
<input type="checkbox"/> Comfort Wings Assembly (LH) (Standard with TR12 Back Pan)	N/C		C904617	C904617
<input type="checkbox"/> Comfort Wings Assembly (RH) (Standard with TR12 Back Pan)	N/C		C904618	C904618
<b>Upholstery Color:</b>				
<input type="checkbox"/> Panther Black	N/C		C903854	C903854
<input type="checkbox"/> Royal Blue	N/C		C903850	C903850
<input type="checkbox"/> Forest Green	N/C		C903857	C903857
<input type="checkbox"/> Sassy Purple	N/C		C903851	C903851
<input type="checkbox"/> Princess Pink	N/C		C903759	C903759
<input type="checkbox"/> Cherry Red	N/C		C903855	C903855
<b>Back Cushion:**</b>				
<input type="checkbox"/> Snuggle Upholstery Back Cushion - Short (TR12: 12x18)/(TR14: 14x22)	N/C		C904696	C904698
<input type="checkbox"/> Snuggle Upholstery Back Cushion - Tall (14: 14x26)	N/C			C904699
<b>Extra Back Cushion Options*</b>				
<input type="checkbox"/> Lumbar Support	<b>\$37</b>	<b>K0108</b>	C904664	C904664
<b>Contoured Seat Cushion**</b>				
<input type="checkbox"/> Snuggle Contoured Seat Cushion - Short Standard (TR12: 12x11) / (TR14: 14x13)	<b>\$339</b>	<b>E2294</b>	C905414	C904781
<input type="checkbox"/> Snuggle Contoured Seat Cushion - Long Standard (TR12: 12x14) / (TR14: 14x16)	<b>\$339</b>	<b>E2294</b>	C905415	C904783
<input type="checkbox"/> Snuggle Contoured Seat Cushion - Short Spacer Fabric (TR12: 12x11) / (TR14: 14x13)	<b>\$339</b>	<b>E2294</b>	C904780	C904782
<input type="checkbox"/> Snuggle Contoured Seat Cushion - Long Spacer Fabric (TR12: 12x14) / (TR14: 14x16)	<b>\$339</b>	<b>E2294</b>	C905429	C905430
<b>Planar Seat Cushion**</b>				
<input type="checkbox"/> Snuggle Planar Seat Cushion - Short Standard (TR12: 12x12) / (TR14: 14x14)	<b>\$307</b>	<b>E2292</b>	C905412	C904710
<input type="checkbox"/> Snuggle Planar Seat Cushion - Long Standard (TR12: 12x15) / (TR14: 14x17)	<b>\$307</b>	<b>E2292</b>	C905413	C904711
<input type="checkbox"/> Snuggle Planar Seat Cushion - Short Spacer Fabric (TR12: 12x12) / (TR14: 14x14)	<b>\$307</b>	<b>E2292</b>	C904708	C905425
<input type="checkbox"/> Snuggle Planar Seat Cushion - Long Spacer Fabric (TR12: 12x15) / (TR14: 14x17)	<b>\$307</b>	<b>E2292</b>	C904709	C905426

<sup>1</sup>Manufacturer Installation Required.

<sup>^</sup>Requires Head Support and Pelvic Positioning Belt.

<sup>\*</sup>Fast tab is only added to Cushion if 3-Pt Belt is added. New Cushion is required if 3-Pt Belt is added after-market.

<sup>\*</sup>All seat cushions must have fast tab for aftermarket 3-Pt Belt and H-Harness.

<sup>\*\*</sup>Back cushion dimensions are seat pan to top of back pan.

	<u>Price</u>	<u>HCPCS</u>
<input type="checkbox"/> <b>Head Supports</b>		
<input type="checkbox"/> Height Adjustable Curved Head Support****	\$235	E0955
<input type="checkbox"/> Adjustable Wing Head Support****	\$277	E0955
<input type="checkbox"/> Integrated Adj Head Support Assembly (TR12 Only)	\$70	E0955
<b>Anatomic Headrest with Cover by R82 (Requires Headrest Universal Mount &amp; Swing-Away Mounting Bracket)</b>		
<input type="checkbox"/> Small	\$266	E0955
<input type="checkbox"/> Medium	\$266	E0955
<input type="checkbox"/> Large	\$266	E0955
<b>Swing-Away Mounting Bracket - Height, Depth, Angle &amp; Lateral Adjustable by R82</b>		
<input type="checkbox"/> Turtle Neck Bar System, Short	\$240	E1028
<input type="checkbox"/> Turtle Neck Bar System, Long	\$240	E1028
<b>R82 Adjustable Width Headrest, Dynamic - Long (Requires Headrest Universal Mount &amp; Swing-away Mounting Bracket)</b>		
<input type="checkbox"/> Adjustable Width Headrest Large Laterals w/Speakers, Dynamic, Black Cover - Long	\$501	E0955
<input type="checkbox"/> Adjustable Width Headrest, Large Laterals, Dynamic, Black Cover - Long	\$402	E0955
<input type="checkbox"/> Adjustable Width Headrest Two Laterals, Dynamic, Black Cover - Long	\$402	E0955
<input type="checkbox"/> Adjustable Width Headrest Four Laterals, Dynamic, Black Cover - Long	\$402	E0955
<b>R82 Adjustable Width Headrest, Dynamic - Short (Requires Headrest Universal Mount &amp; Swing-away Mounting Bracket)</b>		
<input type="checkbox"/> Adjustable Width Headrest Large Laterals w/Speakers, Dynamic, Black Cover - Short	\$501	E0955
<input type="checkbox"/> Adjustable Width Headrest, Large Laterals, Dynamic, Black Cover - Short	\$402	E0955
<input type="checkbox"/> Adjustable Width Headrest Two Laterals, Dynamic, Black Cover - Short	\$402	E0955
<input type="checkbox"/> Adjustable Width Headrest Four Laterals, Dynamic, Black Cover - Short	\$402	E0955
<b>R82 Adjustable Width Headrest, Non-Dynamic - Long (Requires Headrest Universal Mount &amp; Swing-away Mounting Bracket)</b>		
<input type="checkbox"/> Adjustable Width Headrest Large Laterals w/Speakers, Non-Dynamic, Black Cover - Long	\$422	E0955
<input type="checkbox"/> Adjustable Width Headrest, Large Laterals, Non-Dynamic, Black Cover - Long	\$318	E0955
<input type="checkbox"/> Adjustable Width Headrest Two Laterals, Non-Dynamic, Black Cover - Long	\$318	E0955
<input type="checkbox"/> Adjustable Width Headrest Four Laterals, Non-Dynamic, Black Cover - Long	\$318	E0955
<b>R82 Adjustable Width Headrest, Non-Dynamic - Short (Requires Headrest Universal Mount &amp; Swing-away Mounting Bracket)</b>		
<input type="checkbox"/> Adjustable Width Headrest Large Laterals w/Speakers, Non-Dynamic, Black Cover - Short	\$422	E0955
<input type="checkbox"/> Adjustable Width Headrest, Large Laterals, Non-Dynamic, Black Cover - Short	\$318	E0955
<input type="checkbox"/> Adjustable Width Headrest Two Laterals, Non-Dynamic, Black Cover - Short	\$318	E0955
<input type="checkbox"/> Adjustable Width Headrest Four Laterals, Non-Dynamic, Black Cover - Short	\$318	E0955
<input type="checkbox"/> Headrest Universal Mount (R82 Compatible) (Accommodates most manufacturer's head supports)****	\$57	K0108

\*\*\*\*Requires the Height Adjustable Solid Back System.

TR12	TR14
C904607	C904607
C904608	C904608
C904615	
C904950	C904950
C904951	C904951
C904952	C904952
C904948	C904948
C904947	C904947
C905282	C905282
C905173	C905173
C905288	C905288
C905174	C905174
C905284	C905284
C905286	C905286
C905175	C905175
C905290	C905290
C905281	C905281
C905170	C905170
C905289	C905289
C905291	C905291
C905285	C905285
C905287	C905287
C905172	C905172
C905171	C905171
C904946	C904946

	<u>Price</u>	<u>HCPCS</u>
<input type="checkbox"/> <b>Trunk Positioning</b>		
<input type="checkbox"/> H-Harness w/ Padded Covers^^	\$102	E0960
<b>Torso Vest by R82 (Hardware Required)</b>		
<input type="checkbox"/> LT Shoulder to RT Hip: 7.75" - 10.75" (Size XS)	\$209	E0960
<input type="checkbox"/> LT Shoulder to RT Hip: 10.75" - 12.5" (Size S)	\$209	E0960
<input type="checkbox"/> LT Shoulder to RT Hip: 12.5" - 16" (Size M)	\$209	E0960
<input type="checkbox"/> LT Shoulder to RT Hip: 16" - 18.5" (Size L)	\$209	E0960
<input type="checkbox"/> LT Shoulder to RT Hip: 18.5" - 20.5" (Size XL)	\$209	E0960
<input type="checkbox"/> LT Shoulder to RT Hip: 20.5" - 23.5" (Size XXL)	\$209	E0960
<input type="checkbox"/> Camlock Kit for Vest (Required for Vest)	N/C	
<b>Chest Belt, Upholstered by R82 (Hardware Required)</b>		
<input type="checkbox"/> W: 11.25" x D:7.5" x H: 9.25-12" (Size 1)	\$282	E0960
<input type="checkbox"/> W: 14" X D: 10.25" X H: 10.25-12.75" (Size 2)	\$282	E0960
<input type="checkbox"/> W: 16.25" X D: 12.5" X H: 10.25-12.75" (Size 3)	\$282	E0960
<input type="checkbox"/> W: 20.25" X D: 16" X H: 11.25-14.5" (Size 4)	\$282	E0960
<input type="checkbox"/> Camlock Kit for Vest (Required for Vest)	N/C	
<b>Cross Vest by R82 (Hardware Required)</b>		
<input type="checkbox"/> LT Shoulder to RT Hip: 7.75" - 12.5" (Size XS)	\$198	E0960
<input type="checkbox"/> LT Shoulder to RT Hip: 10.25" - 13.5" (Size S)	\$198	E0960
<input type="checkbox"/> LT Shoulder to RT Hip: 13.5" - 17.75" (Size M)	\$198	E0960
<input type="checkbox"/> LT Shoulder to RT Hip: 17.75" - 20.75" (Size L)	\$198	E0960
<input type="checkbox"/> LT Shoulder to RT Hip: 20.75" - 24.5" (Size XL)	\$198	E0960
<input type="checkbox"/> Camlock Kit for Vest (Required for Vest)	N/C	
<b>Left - Width, Height Adj. Lateral Thoracic Support - Fixed Laterals</b>		
<input type="checkbox"/> Size 1: 4" (D) x 4.5" (H)****^	\$152	E0956
<input type="checkbox"/> Size 2: 5" (D) x 4.5" (H)****^	\$152	E0956
<input type="checkbox"/> Size 3: 6" (D) x 4.5" (H)****^	\$152	E0956
<b>Right - Width, Height Adj. Lateral Thoracic Support - Fixed Laterals</b>		
<input type="checkbox"/> Size 1: 4" (D) x 4.5" (H)****^	\$152	E0956
<input type="checkbox"/> Size 2: 5" (D) x 4.5" (H)****^	\$152	E0956
<input type="checkbox"/> Size 3: 6" (D) x 4.5" (H)****^	\$152	E0956
<b>Left - Height Adj. Lateral Thoracic Support - Swing Away Laterals</b>		
<input type="checkbox"/> Size 1: 4" (D) x 2.75" (H)*	\$123	E0956
<input type="checkbox"/> Size 2: 5.75" (D) x 4.25" (H)*	\$123	E0956
<input type="checkbox"/> Swing Away Adj. Hardware (Required for S/A Laterals)	\$248	E1028
<b>Right - Height Adj. Lateral Thoracic Support - Swing Away Laterals</b>		
<input type="checkbox"/> Size 1: 4" (D) x 2.75" (H)*	\$123	E0956
<input type="checkbox"/> Size 2: 5.75" (D) x 4.25" (H)*	\$123	E0956
<input type="checkbox"/> Swing Away Adj. Hardware (Required for S/A Laterals)	\$248	E1028
<input type="checkbox"/> 1" Thick Padded Lateral Support Cover	\$52	E0960

\*Pad Size.

^^^Requires the Height Adjustable Solid Back System and 3-Pt Belt.

\*\*\*\*Requires the Height Adjustable Solid Back System.

^Depth of Laterals is reduced by 1" with back upholstery.

TR12	TR14
C904695	C904695
C905476	C905476
C905152	C905152
C905153	C905153
C905154	C905154
C905480	C905480
C905481	C905481
C905394	C905394
C905155	C905155
C905156	C905156
C905157	C905157
C905158	C905158
C905394	C905394
C905176	C905176
C905177	C905177
C905178	C905178
C905179	C905179
C905180	C905180
C905394	C905394
C904760	C904760
C904876	C904876
C904877	C904877
C904761	C904761
C904886	C904886
C904887	C904887
C904864	C904864
C904866	C904866
C904884	C904884
C904865	C904865
C904867	C904867
C904885	C904885
C905411	C905411

<u>Pelvic Positioning</u>		<u>Price</u>	<u>HCPCS</u>	<u>TR12</u>	<u>TR14</u>
<input type="checkbox"/> 2-Point Pelvic Positioning Belt (Size 0)		\$47	E0978	C905386	C905386
<input type="checkbox"/> 3-Pt Positioning Belt (Trekker Seat Cushion Required)		\$51	E0978	C904017	C904017
<b>Transit Options</b>					
<input type="checkbox"/> Q'Straint Transit Lap Belt		\$94	E0978	C903094	C903094
<input type="checkbox"/> Sure-Lok Transit Lap Belt		\$94	E0978	C903232	C903232
<b>4-Point Pelvic Positioning Belt by R82 (Hardware Required)</b>					
<input type="checkbox"/> Hip Width: 6.75" - 12.5" (Size XS)		\$140	K0108	C905148	C905148
<input type="checkbox"/> Hip Width: 8.25" - 13.75" (Size S)		\$140	K0108	C905149	C905149
<input type="checkbox"/> Hip Width: 9.75" - 16.25" (Size M)		\$140	K0108	C905150	C905150
<input type="checkbox"/> Hip Width: 12.5" - 17.25" (Size L)		\$140	K0108	C905151	C905151
<input type="checkbox"/> Hip Width: 16.25" - 20.5" (Size XL)		\$140	K0108	C905475	C905475
<input type="checkbox"/> Camlock Kit for 4-Point Belt		N/C		C905395	C905395
<b>Left Width, Height Adj. Lateral Pelvic Support (Hip Guide w/out Armrest)</b>					
<input type="checkbox"/> Small - 4.5" - 5.5" (H)*		\$125	E0956	C904935	C905042
<input type="checkbox"/> Large - 5.25" - 6.25" (H)*		\$125	E0956	C905040	C904937
<b>Right Width, Height Adj. Lateral Pelvic Support (Hip Guide w/out Armrest)</b>					
<input type="checkbox"/> Small - 4.5" - 5.5" (H)*		\$125	E0956	C904936	C905043
<input type="checkbox"/> Large - 5.25" - 6.25" (H)*		\$125	E0956	C905041	C904938
<b>Left Width, Adj Pelvic Support w/Height Adj. Armrest (Hip Guide w/ Armrest) (n/a w/Tray)</b>					
<input type="checkbox"/> Small - 5"-6"(H)*		\$152	E0956	C904611	C904613
<input type="checkbox"/> Large - 7"-8" (H)*		\$152	E0956		C904927
<b>Right Width, Adj Pelvic Support w/Height Adj. Armrest (Hip Guide w/ Armrest) (n/a w/Tray)</b>					
<input type="checkbox"/> Small - 5"-6"(H)		\$152	E0956	C904612	C904614
<input type="checkbox"/> Large - 7"-8" (H)*		\$152	E0956		C904928

\*Height is reduced by 1" when used with Planar Seat Cushion or 2" if used with Contoured Seat Cushion.

<u>Foot &amp; Leg Positioning</u>		<u>Price</u>	<u>HCPCS</u>	<u>TR12</u>	<u>TR14</u>
<b>Medial Knee Abductor (Pommel)</b>					
<input type="checkbox"/> Small (1.5" front width, 3.5" depth, 2" back width, 2.25" height)		\$169	E0957	C904557	C904557
<input type="checkbox"/> Medium (2.6" front width, 4.1" depth, 2" back width, 2.7" height)		\$169	E0957	C904591	C904591
<input type="checkbox"/> Angle Adjustable Elevating Leg Rest (90° - 180°) Pair <sup>1</sup>		\$260	K0195	C905046	C905047
<input type="checkbox"/> Padded Elevating Legrest Cover (Pair)		\$15	K0108	C904619	C904619
<input type="checkbox"/> Calf Panel (E.I.) H: 3.5" ^^		\$64	E0995	C905370	C905370
<input type="checkbox"/> Calf Panel (Standard) H: 6"		\$64	E0995	C904580	C904580
<input type="checkbox"/> Individual Angle Adjustable Footplates - Pair (Elevating Leg Rest Required) <sup>1</sup>		\$166	K0040	C905049	C905050
<input type="checkbox"/> One Piece Angle Adjustable Flip Up Footplate (-15° - +15°)		\$115	K0040	C904568	C904596
<input type="checkbox"/> Full Padded Footbox (One-Piece Footplate Required)		\$339	K0108	C904955	C904956
<b>Foot Positioners (Pair)**</b>					
<input type="checkbox"/> Small 7" - 10"		\$163	K0108	C903415	C903415
<input type="checkbox"/> Medium 8" - 11"		\$163	K0108	C903416	C903416
<input type="checkbox"/> Large 9" - 12"		\$163	K0108	C903417	C903417
<b>Therapin Shoe Holders w/Padded Straps (Pair)**</b>					
<input type="checkbox"/> Small		\$196	K0108	C904679	C904679
<input type="checkbox"/> Medium		\$196	K0108	C904680	C904680

<sup>1</sup>Manufacturer Installation Required.

\*\*Required during transit.

^^Use with Seat-to-Footplate range 4" - 7".

<u>Trekker Seating Module Accessories</u>		<u>Price</u>	<u>HCPCS</u>	<u>TR12</u>	<u>TR14</u>
<b>Headrest Cover Options (Canopy)</b>					
<input type="checkbox"/> Headrest Cover (Canopy)		\$238	K0108	C904572	C904599
<input type="checkbox"/> Extended Headrest Cover - No Windows (Canopy)		\$238	K0108	C904690	C904691
<input type="checkbox"/> Extended Headrest Cover - with Windows (Canopy)		\$266		C904573	C904600
<input type="checkbox"/> Upper Extremity Support Tray (Clear Tray) (Hardware Required) (Reversible) <sup>1</sup>		\$115	E0950	C904556	C904590
<input type="checkbox"/> Adj Removable Hardware (Required for Clear Tray)		\$237	E1028	C905361	C905361
<input type="checkbox"/> Padded Tray Cover <sup>1</sup> (Clear Tray Required) (Reversible) (12) (14)		\$68	K0108	C904586	C904610
<input type="checkbox"/> Utility Bag		\$40		C904531	C904531
<input type="checkbox"/> Rain Cover (Headrest Cover Required)		\$182		C904790	C904791
<input type="checkbox"/> Mosquito Net (Headrest Cover Required)		\$182		C904788	C904789

<sup>1</sup>Cannot be used during transit.

^Not available with arm rests.

<u>Trekker Base Frame Options</u>		<u>Price</u>	<u>HCPCS</u>	<u>TR12</u>	<u>TR14</u>
<input type="checkbox"/> Height Adjustable Push Handle (Outside Mount)		N/C		C904688	C904688
<b>Tire Options</b>					
<input type="checkbox"/> 12.5" x 2" Rear Solid Knobby Tire		\$208		C904117	C904117
<input type="checkbox"/> 7.5" x 2" Front, 12.5" Rear Pneumatic Knobby Tire		\$311		C904118	C904118
<b>Trekker Base Frame Accessories</b>					
<input type="checkbox"/> Caster Locks (Manufacturer Installation Required)		\$98	K0073	C904689	C904689
<input type="checkbox"/> Rear Anti-Tip Tubes		\$120	E0971	C904649	C904649
<input type="checkbox"/> Curb Tipper		\$102		C905310	C905310
<input type="checkbox"/> Under Seat Storage Basket		\$125		C904605	C904605

- Trekker Base Medical Support Accessories**
- IV Pole (height adjustable and collapsible)°
  - O2 Tank Holder\*<sup>1</sup>
  - LTV Ventilator Holder<sup>1</sup>
  - Medical Necessity Storage Basket
  - Ventilator/Suction/Hard Tray
  - Extended Ventilator/Suction/Hard Tray (Kit)
  - Extended Ventilator/Suction/Hard Tray (Lower Tray Only)

<u>Price</u>	<u>HCPCS</u>
\$199	K0105
\$182	E2208
\$469	E1029
\$307	
\$469	E1029
\$547	E1029
\$469	E1029

<u>TR12</u>	<u>TR14</u>
C904566	C904566
C904565	C904565
C904671	C904671
C904606	C904606
C904595	C904595
C905326	C905326
C905416	C905416

<sup>1</sup>**Manufacturer Installation Required.**  
<sup>°</sup>**Requires Rear Anti-Tip Tubes.**  
<sup>\*</sup>**Cannot be used during transit.**

- R82 High-Low:x Frame Options**
- R82 High-Low:xo sz 1, Manual Lift (Height Range: 6½" - 23½") 132lbs. Max (Push Brace Required)
  - R82 High-Low:xo sz 2, Manual Lift (Height Range: 6¾" - 23¾") 132lbs. Max (Push Brace Required)
  - Push Brace - Fixed Angle
  - Push Brace, Angle Adjustable
  - Stingray Seat Module - Interface Adaptor Kit for Trekker Frame\*

<u>Price</u>	<u>HCPCS</u>
\$2,034	
\$2,287	
\$167	
\$402	
N/C	

<u>TR12</u>	<u>TR14</u>
C905366	C905366
C905367	C905367
C905368	C905368
C905369	C905369
C905363	C905363

<sup>\*</sup>**Required with Trekker Frame.**

\*\*\*The Trekker Transit option includes four manufacturer installed red wheelchair transportation anchors. The Trekker Transit model has been crash tested and conforms to RESNA WC19 standards. Anthropomorphic Test Device weights are TR12T 75lbs/34kg and TR14T 110lbs/50kg.

The Convoid Trekker Mobility Base was tested with the Trekker Seating Module equipped with a head support and wheelchair anchored pelvic lap belt. Do not use the foot positioners on the Convoid Trekker during transit in a motor vehicle. The performance and safety of accessories and/or other seating options not tested by Convoid is unknown, and no warranty or claim about their performance is or can being made.

Furthermore, when being transported in a vehicle it is Convoid's position that the wheelchair user transfer from the wheelchair into appropriate vehicle seating during transportation. Please note that at this time, the Department of Transportation has not officially approved any tie-down system for a user while in a wheelchair, therefore Convoid cannot recommend a transit system.

For more information on RESNA WC-19 and WC-20 standards please visit <http://www.rercwts.pitt.edu/WC19.html>.

*HCPCS codes are provided for your convenience and are NOT to be considered billing or legal advice. Providers are responsible for insuring that appropriate billing codes are used when submitting claims. Proper use of HCPCS codes does not insure coverage or payment. Contact the appropriate payer for coverage information.*

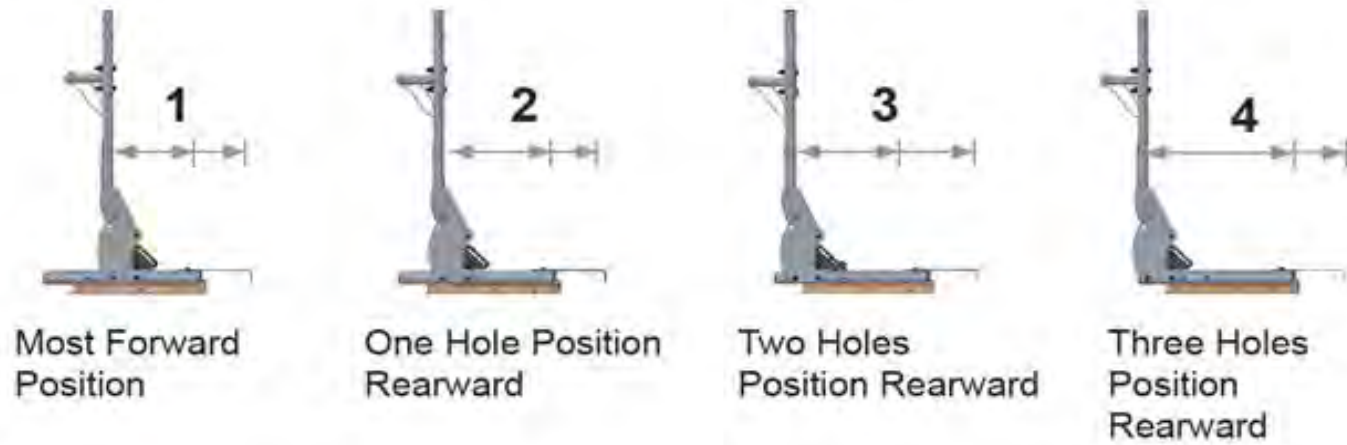
**Standard Domestic Shipping Rate: \$40**  
 Prices in USD & subject to change, ex works Torrance, California.  
 Effective: 6/9/2023

OF1800-ENG-REV.07



**Seat Depth Adjustable Positions:**

<b>Seat Depth Growth</b>				
Position:	1	2	3	4
TR12:	5.5" - 8"	7.5" - 10"	9.5" - 12"	N/A
TR14:	8" - 10"	10" - 12"	12" - 14"	13" - 15"



**Trekker Top Vests Belt Slot (Shoulder) Height from Seat Pan**

	Minimum	Maximum
TR12 Integrated Headrest	9"	13"
TR12 Separate Headrest	13"	17"
TR14 Separate Headrest	17"	26"

**Seating Module Specifications:****Convoid Trekker Seating Module Specifications**

<b>Seat Width with Accessories</b>	<b>TR 12 (Size 1)</b>	<b>TR 14 (Size 2)</b>
Trunk Width between Fixed Laterals (With Comfort Wings/Without Comfort Wings)	7.5" - 8" / 7.5" - 12"	9.5" - 10" / 9.5" - 14"
Trunk Width between Swing-Away Laterals (With Comfort Wings/Without Comfort Wings)	6" - 8" / 6" - 10"	7" - 9.5" / 7" - 14"
Hip Width between Hip Guides Without Armrests	5.5" - 11.5"	6.5" - 14"
Hip Width between Hip Guides With Armrests	5.5" - 11.5"	6.5" - 14"

**Convoid Trekker Seat to Footplate Dimensions**

<b>Seat to Footplate Dimensions</b>	<b>TR 12 (Size 1)</b>	<b>TR 14 (Size 2)</b>
Fixed 90° with one piece footplate	5.5" - 11.5"	5.5" - 11.5"
Fixed 90° with one piece footplate (flipped)	3.25" - 9.25"	3.25" - 9.25"
ELR with one piece footplate	4.75" - 10.75"	6.25" - 12.25"
ELR with one piece footplate (flipped)	2" - 8"	4.25" - 10.25"
ELR with individual footplates	5" - 11"	7" - 13"
ELR with individual footplates (flipped)	2" - 5"	4" - 7"