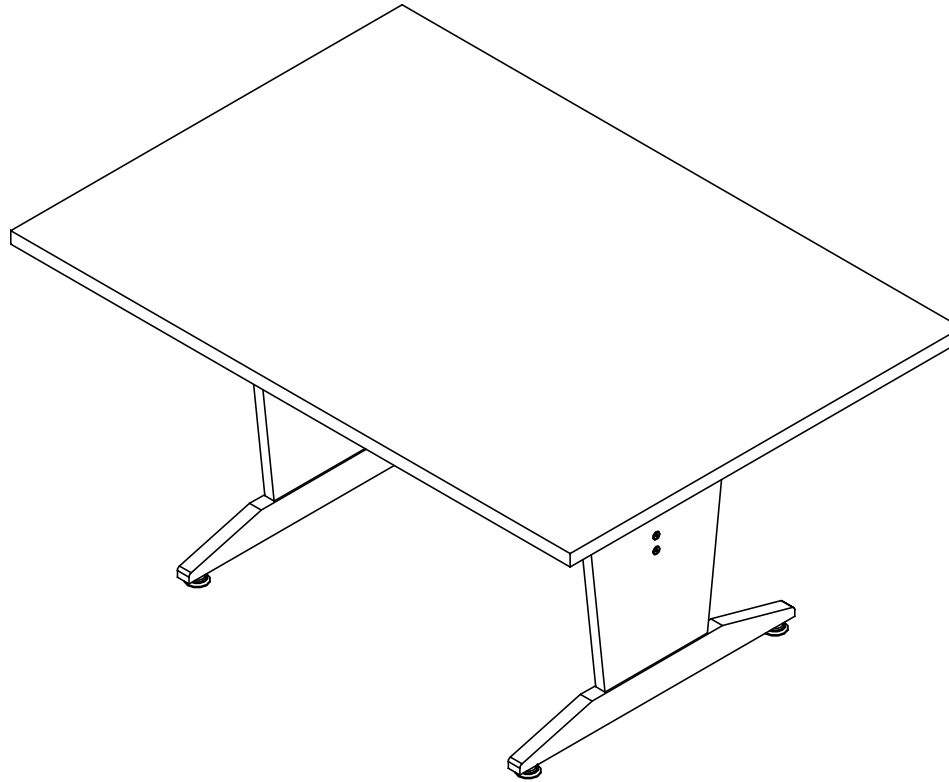


# PLANNING TABLES

## PT-60, PT-61, & PT-62 SERIES TABLES ASSEMBLY INSTRUCTIONS



**NOTE:**

1. MODEL VIEWS MAY NOT REPRESENT EXACT MODEL PURCHASED

ALL DIMENSIONS ARE IN INCHES UNLESS NOTED OTHERWISE	DWN BY:	EMR	DATE DWN:	10/23/14
DECIMALS: X = ± .020	APR BY:		DATE APR:	
XX = ± .020	APR BY:		DATE APR:	
XXX = ± .010	APR BY:		DATE APR:	
ANGLES: = ± 1°	APR BY:		DATE APR:	
CABINET SQUARENESS: = ± .0625	APR BY:		DATE APR:	



CONFIDENTIAL:  
ALL DESIGN RIGHTS RESERVED  
THE INFORMATION, DATA, DESIGN, AND DRAWINGS EMBODIED IN THIS DOCUMENT AND ALL REPRODUCTIONS THEREOF ARE THE EXCLUSIVE PROPERTY OF DIVERSIFIED WOODCRAFTS, INC.

TITLE:  
PLANNING TABLES  
ASSEMBLY INSTRUCTIONS

THESE DOCUMENTS ARE SUPPLIED WITH THE UNDERSTANDING THAT THEY WILL NOT BE DISCLOSED TO THIRD PARTIES WITHOUT WRITTEN CONSENT OF DIVERSIFIED WOODCRAFTS, INC. ANY REPRODUCTION IN PART OR WHOLE WITHOUT WRITTEN CONSENT IS SUBJECT TO LEGAL ACTION.

DRAWING NUMBER:	SCALE:	SHEET:	REVISION:
PT-60, PT-61, & PT-62 SERIES	NTS	1 OF 9	REV A

REV.	DESCRIPTION	DATE	NAME	ECN NO.
A	CREATED ASSEMBLY INSTRUCTIONS	10/23/14	EMR	-
REVISION LEVEL				

## TOOLS REQUIRED

4MM ALLEN WRENCH

1/8" DRILL BIT

## ASSEMBLY COMPONENTS

ITEMS INCLUDED	PART #	PART DESCRIPTION	QTY
TOP	VARIES	TOP - 60" W X 42" D - STYLE VARIES	1
HARDWARE BAG	15-0069	PT HARDWARE BAG - INCLUDES (4) LEG LEVELERS, (11) SCREWS FOR TOP, AND (1) HEX KEY	1
LEG PANEL ASSEMBLY	VARIES	LEG,PANEL,PED,ASSY-HEIGHT VARIES WITH TABLE STYLE	2
STRETCHER	227927	STRETCHERS,LEG,34.50 TABLE, MPL - UPPER	1
STRETCHER	228501	STRETCHERS,LEG,MPL,1.00X2.50X34.50 - LOWER	1
CONFIRMATS - STRETCHERS	237959	SCREW,7MMX70MM,CONN,ALLENHEAD, BLACK	8
*BOOK RAIL*	N/A	BOOK RAIL - 1.00" THK X 1.25" W X 36.50" L	2
*ASTRAGAL*	205587-P	ASTRAGAL,WH HARD MPL .25 X .88	2.875
*COMPARTMENT BOTTOM*	N/A	COMPARTMENT BOTTOM - 0.25" THK X 23.375" W X 34.50" L	1
*SCREWS - COMP BOTTOM, ASTRAGAL, AND BOOK RAILS*	100597	SCREW,#8X1.5 QUAD ROUND WASHER	9
**CENTER TOTE RAIL**	228755	RAIL,CENTER,TOTE,SLIDE 1.25X2.00X15.938	2
**OUTER TOTE RAIL**	228760	RAIL,OUTER,TOTE,SLIDE 1.25X1.25X15.938	4
**SCREWS - TOTE RAILS**	100641	SCREW,#8X1 3/4" QUAD RD WASHER HD	18
**TOTE TRAY**	100135	TOTE TRAY, T-188	4

**NOTE:**


1. COMPONENTS VARY WITH STYLE OF TABLE PURCHASED.
  - 1.1. TOP SELECTIONS:
    - 1.1.1. MAPLE (M), NATURAL BIRCH PLASTIC LAMINATE (PNB), OR ALMOND PLASTIC LAMINATE (P).
  - 1.2. HEIGHT SELECTIONS:
    - 1.2.1. STANDARD HEIGHT (30"H) OR ELEMENTARY HEIGHT (26"H).
2. PT-62 = PLAIN, PT-61 = BOOK COMPARTMENTS, PT-60 = TOTE TRAYS.
3. \*\*XX\* INDICATES PARTS ONLY FOR PT-61 SERIES.
4. \*\*\*XX\*\* INDICATES PARTS ONLY FOR PT-60 SERIES.

A	CREATED ASSEMBLY INSTRUCTIONS	10/23/14	EMR	-
REV.	DESCRIPTION	DATE	NAME	ECN NO.
REVISION LEVEL				

ALL DIMENSIONS ARE IN INCHES UNLESS NOTED OTHERWISE	DWN BY:	EMR	DATE DWN:	10/23/14
DECIMALS: X = ± .030 XX = ± .020 XXX = ± .010	APR BY:		DATE APR:	
ANGLES: = ± 1°	APR BY:		DATE APR:	
CABINET SQUARENESS = ± .0625	APR BY:		DATE APR:	

CONFIDENTIAL:  
ALL DESIGN RIGHTS RESERVED  
THE INFORMATION, DATA, DESIGN, AND DRAWINGS EMBODIED IN THIS DOCUMENT AND ALL REPRODUCTIONS THEREOF ARE THE EXCLUSIVE PROPERTY OF DIVERSIFIED WOODCRAFTS, INC.

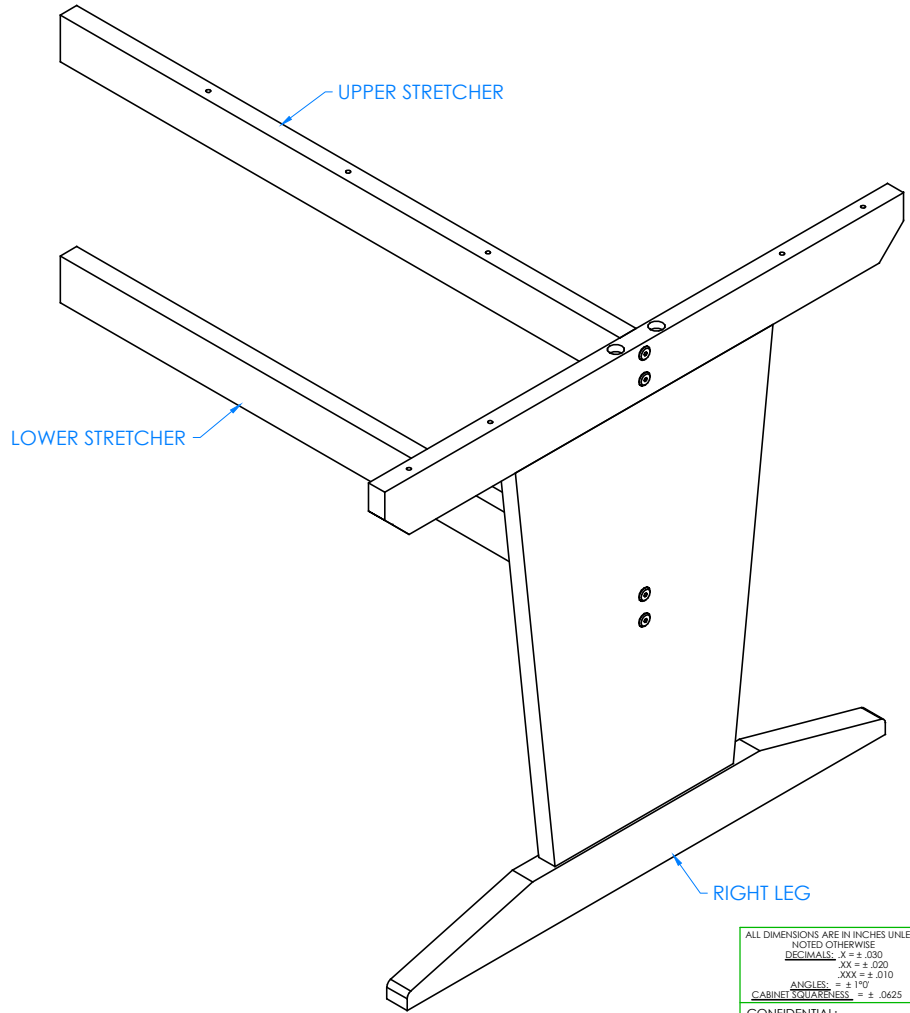
THESE DOCUMENTS ARE SUPPLIED WITH THE UNDERSTANDING THAT THEY WILL NOT BE DISCLOSED TO THIRD PARTIES WITHOUT WRITTEN CONSENT OF DIVERSIFIED WOODCRAFTS, INC. ANY REPRODUCTION IN PART OR WHOLE WITHOUT WRITTEN CONSENT IS SUBJECT TO LEGAL ACTION.



**DIVERSIFIED SPACES**

TITLE:  
PLANNING TABLES  
TOOLS AND ASSEMBLY COMPONENTS

DRAWING NUMBER:	SCALE:	SHEET:	REVISION:
PT-60, PT-61, & PT-62 SERIES	NTS	2 OF 9	REV A



STEP 1:

- TAKE RIGHT TABLE LEG AND INSERT LOWER STRETCHER THROUGH THE PRE-DRILLED HOLES.
- ATTACH WITH HARDWARE PROVIDED.
- DO THE SAME TO THE UPPER STRETCHER.
- STRETCHER WITH DRILLED HOLES GOES ON TOP.

NOTE:

1.

ALL DIMENSIONS ARE IN INCHES UNLESS NOTED OTHERWISE	DWN BY:	EMR	DATE DWN:	10/23/14
DECIMALS: $\frac{X}{1000} = \pm .000$	APR BY:		DATE APR:	
$\frac{XX}{100} = \pm .020$	APR BY:		DATE APR:	
$\frac{XXX}{10} = \pm .010$	APR BY:		DATE APR:	
ANGLES: $\pm 1^{\circ}0$	APR BY:		DATE APR:	
CABINET SQUARENESS: $\pm .0625$	APR BY:		DATE APR:	



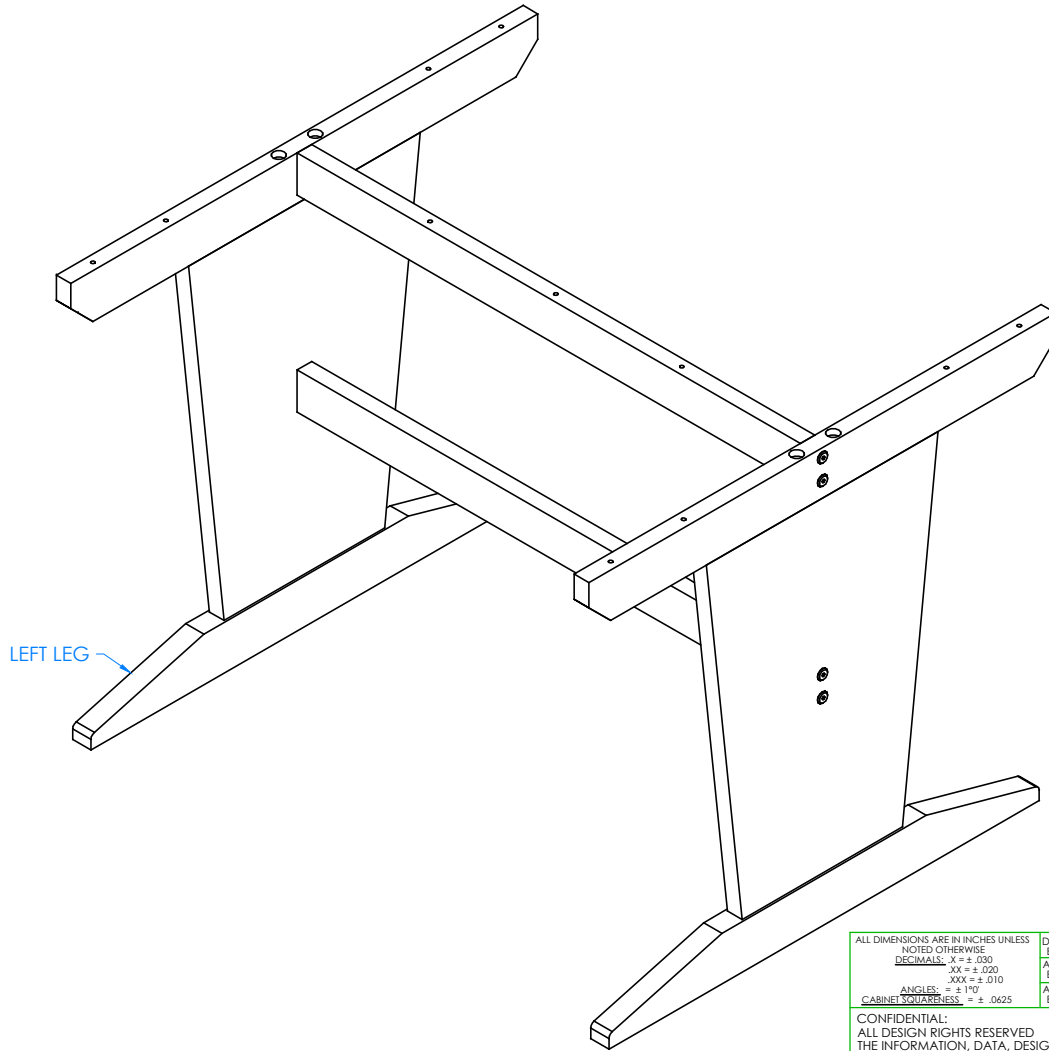
CONFIDENTIAL:  
 ALL DESIGN RIGHTS RESERVED  
 THE INFORMATION, DATA, DESIGN, AND DRAWINGS EMBODIED IN THIS DOCUMENT AND ALL REPRODUCTIONS THEREOF ARE THE EXCLUSIVE PROPERTY OF DIVERSIFIED WOODCRAFTS, INC.

TITLE:  
 PLANNING TABLES  
 ASSEMBLY INSTRUCTIONS

THESE DOCUMENTS ARE SUPPLIED WITH THE UNDERSTANDING THAT THEY WILL NOT BE DISCLOSED TO THIRD PARTIES WITHOUT WRITTEN CONSENT OF DIVERSIFIED WOODCRAFTS, INC. ANY REPRODUCTION IN PART OR WHOLE WITHOUT WRITTEN CONSENT IS SUBJECT TO LEGAL ACTION.

REV.	DESCRIPTION	DATE	NAME	ECN NO.
A	CREATED ASSEMBLY INSTRUCTIONS	10/23/14	EMR	-
REVISION LEVEL				

DRAWING NUMBER:	SCALE:	SHEET:	REVISION:
PT-60, PT-61, & PT-62 SERIES	NTS	3 OF 9	REV A



STEP 2:

- REPEAT STEP 1 FOR LEFT TABLE LEG.
- MAKE SURE EACH CONFIRMAT IS TIGHT AND STRETCHERS ARE STRAIGHT BEFORE MOVING ON.

NOTE:

1.

ALL DIMENSIONS ARE IN INCHES UNLESS NOTED OTHERWISE	DWN BY:	EMR	DATE DWN:	10/23/14
DECIMALS: X = ± .030	APR BY:		DATE APR:	
XX = ± .020	APR BY:		DATE APR:	
XXX = ± .010	APR BY:		DATE APR:	
ANGLES: = ± 1°	APR BY:		DATE APR:	
CABINET SQUARENESS: = ± .0625	APR BY:		DATE APR:	



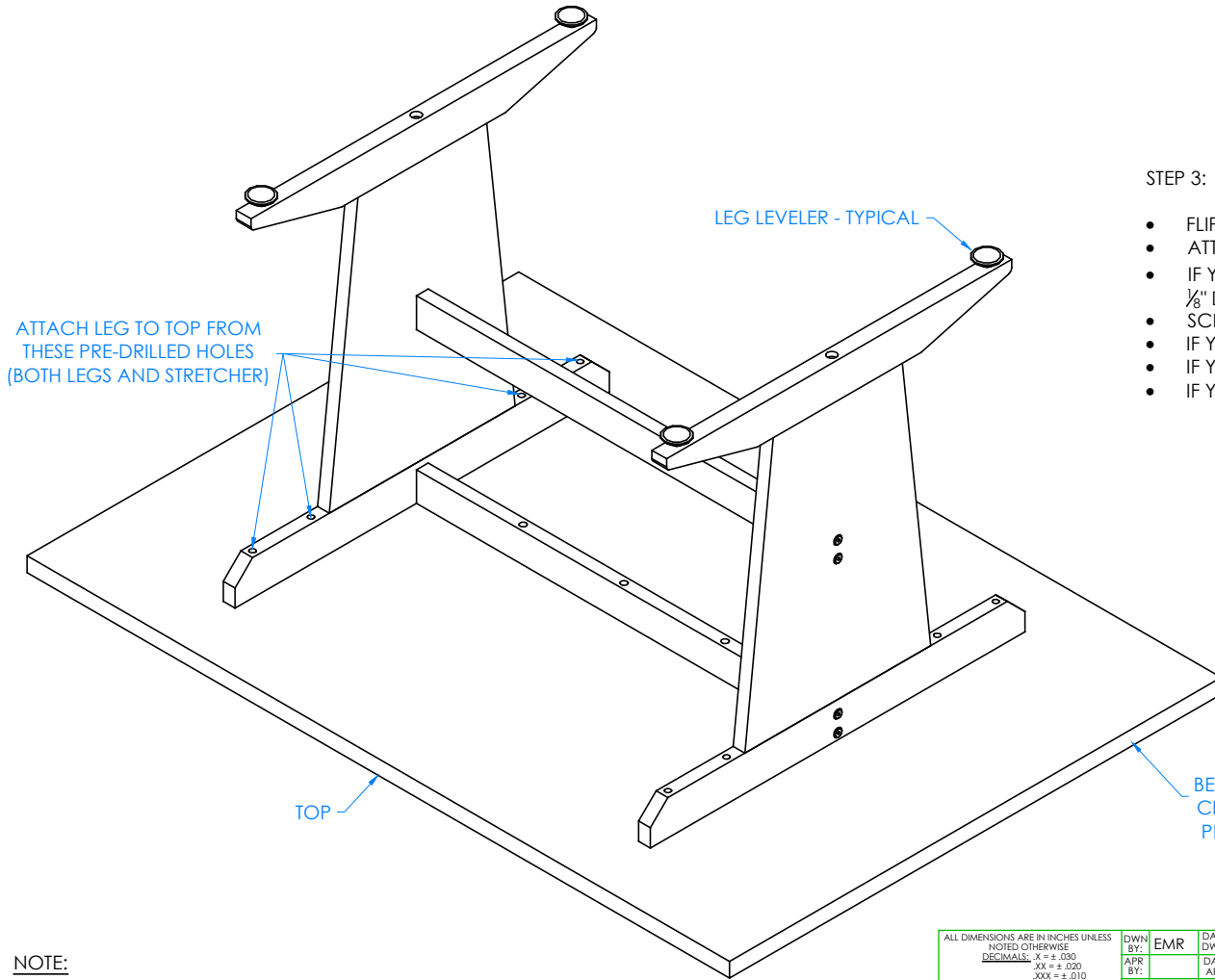
CONFIDENTIAL:  
 ALL DESIGN RIGHTS RESERVED  
 THE INFORMATION, DATA, DESIGN, AND DRAWINGS EMBODIED IN THIS DOCUMENT AND ALL REPRODUCTIONS THEREOF ARE THE EXCLUSIVE PROPERTY OF DIVERSIFIED WOODCRAFTS, INC.

TITLE:  
 PLANNING TABLES  
 ASSEMBLY INSTRUCTIONS

THESE DOCUMENTS ARE SUPPLIED WITH THE UNDERSTANDING THAT THEY WILL NOT BE DISCLOSED TO THIRD PARTIES WITHOUT WRITTEN CONSENT OF DIVERSIFIED WOODCRAFTS, INC. ANY REPRODUCTION IN PART OR WHOLE WITHOUT WRITTEN CONSENT IS SUBJECT TO LEGAL ACTION.

REV.	DESCRIPTION	DATE	NAME	ECN NO.
A	CREATED ASSEMBLY INSTRUCTIONS	10/23/14	EMR	-
REVISION LEVEL				

DRAWING NUMBER:	SCALE:	SHEET:	REVISION:
PT-60, PT-61, & PT-62 SERIES	NTS	4 OF 9	REV A



STEP 3:

- FLIP LEG ASSEMBLY OVER AND CENTER LEGS ONTO TOP.
- ATTACH LEG ASSEMBLIES TO TOP USING HARDWARE PROVIDED.
- IF YOU HAVE A MAPLE TOP, PRE-DRILL HOLES IN TOP 3/4" DEEP USING A 1/8" DRILL BIT.
- SCREW LEG LEVELERS INTO T-NUT ON BOTTOM OF LEGS.
- IF YOUR TABLE IS PLAIN (PT-62), SKIP TO STEP 6.
- IF YOUR TABLE HAS TOTE TRAYS (PT-60), SKIP TO STEP 5.
- IF YOUR TABLE HAS A COMPARTMENT BOTTOM (PT-61), GO TO STEP 4.

NOTE:

1.

ALL DIMENSIONS ARE IN INCHES UNLESS NOTED OTHERWISE	DWN BY:	EMR	DATE DWN:	10/23/14
DECIMALS: X = ± .020	APR BY:		DATE APR:	
XX = ± .020	APR BY:		DATE APR:	
XXX = ± .010	APR BY:		DATE APR:	
ANGLES: = ± 1°	APR BY:		DATE APR:	
CABINET SQUARENESS: = ± .0625	APR BY:		DATE APR:	

CONFIDENTIAL:  
 ALL DESIGN RIGHTS RESERVED  
 THE INFORMATION, DATA, DESIGN, AND DRAWINGS EMBODIED IN THIS DOCUMENT AND ALL REPRODUCTIONS THEREOF ARE THE EXCLUSIVE PROPERTY OF DIVERSIFIED WOODCRAFTS, INC.

THESE DOCUMENTS ARE SUPPLIED WITH THE UNDERSTANDING THAT THEY WILL NOT BE DISCLOSED TO THIRD PARTIES WITHOUT WRITTEN CONSENT OF DIVERSIFIED WOODCRAFTS, INC. ANY REPRODUCTION IN PART OR WHOLE WITHOUT WRITTEN CONSENT IS SUBJECT TO LEGAL ACTION.

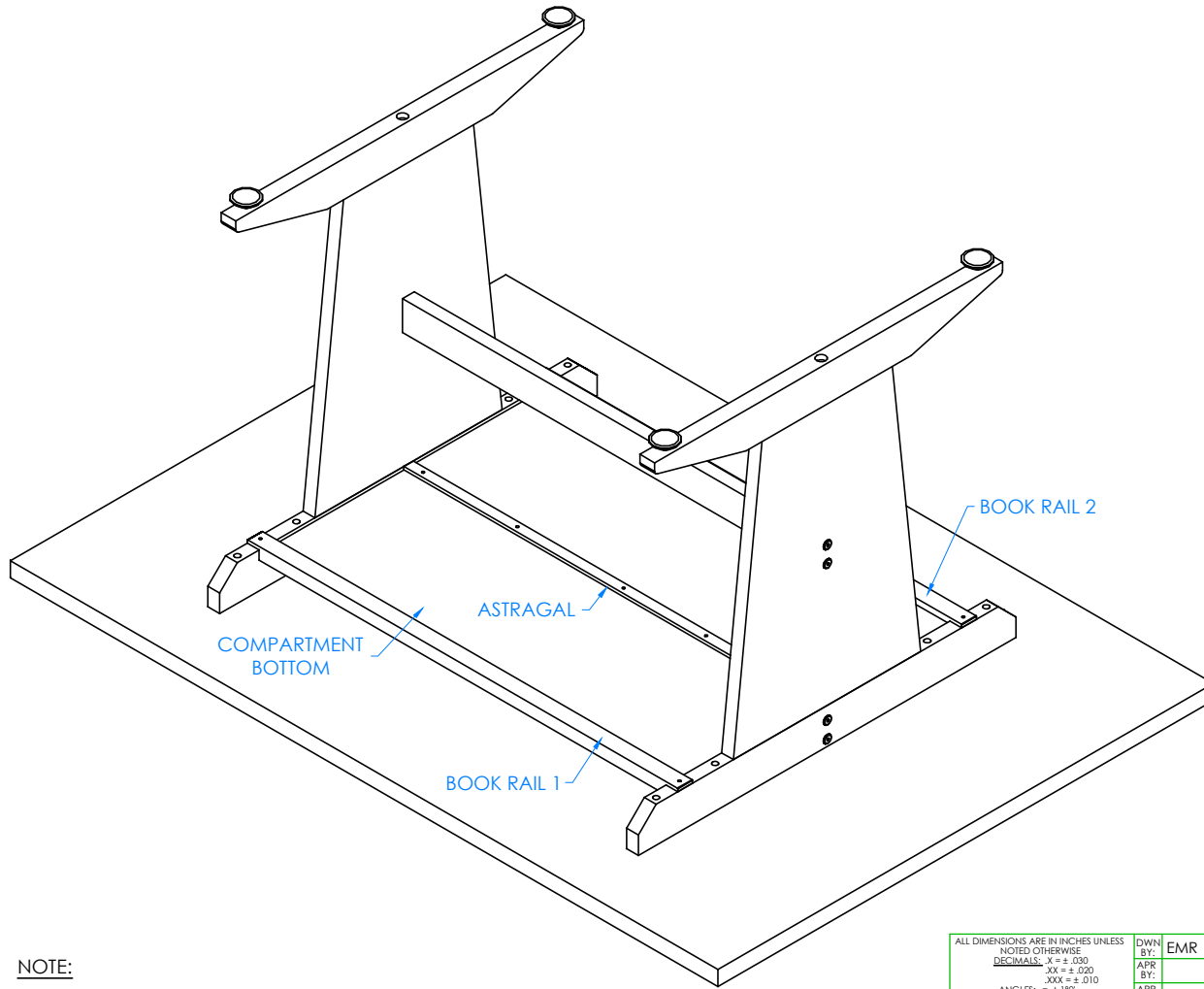


TITLE:  
 PLANNING TABLES  
 ASSEMBLY INSTRUCTIONS

REV.	DESCRIPTION	DATE	NAME	ECN NO.
A	CREATED ASSEMBLY INSTRUCTIONS	10/23/14	EMR	-

REVISION LEVEL

DRAWING NUMBER:	SCALE:	SHEET:	REVISION:
PT-60, PT-61, & PT-62 SERIES	NTS	5 OF 9	REV A



STEP 4:

- SET COMPARTMENT BOTTOM ON STRETCHER SO THE HOLES ON BOTTOM ARE IN THE CENTER OF STRETCHER.
- FIT THE GROOVES OF BOOK RAILS ON THE SIDES OF COMPARTMENT BOTTOM.
- ATTACH TO LEGS WITH HARDWARE PROVIDED.
- ALIGN HOLES ON ASTRAGAL WITH HOLES ON COMPARTMENT BOTTOM AND ATTACH TOGETHER WITH REMAINING SCREWS.
- SKIP TO STEP 6.

NOTE:

1.

FOR TABLES WITH A COMPARTMENT BOTTOM ONLY

ALL DIMENSIONS ARE IN INCHES UNLESS NOTED OTHERWISE	DWN BY:	EMR	DATE DWN:	10/23/14
DECIMALS: .X = ± .030 .XX = ± .020 .XXX = ± .010	APR BY:		DATE APR:	
ANGLES: = ± 1°	APR BY:		DATE APR:	
CABINET SQUARENESS: = ± .0625				

CONFIDENTIAL:  
ALL DESIGN RIGHTS RESERVED  
THE INFORMATION, DATA, DESIGN, AND DRAWINGS EMBODIED IN THIS DOCUMENT AND ALL REPRODUCTIONS THEREOF ARE THE EXCLUSIVE PROPERTY OF DIVERSIFIED WOODCRAFTS, INC.

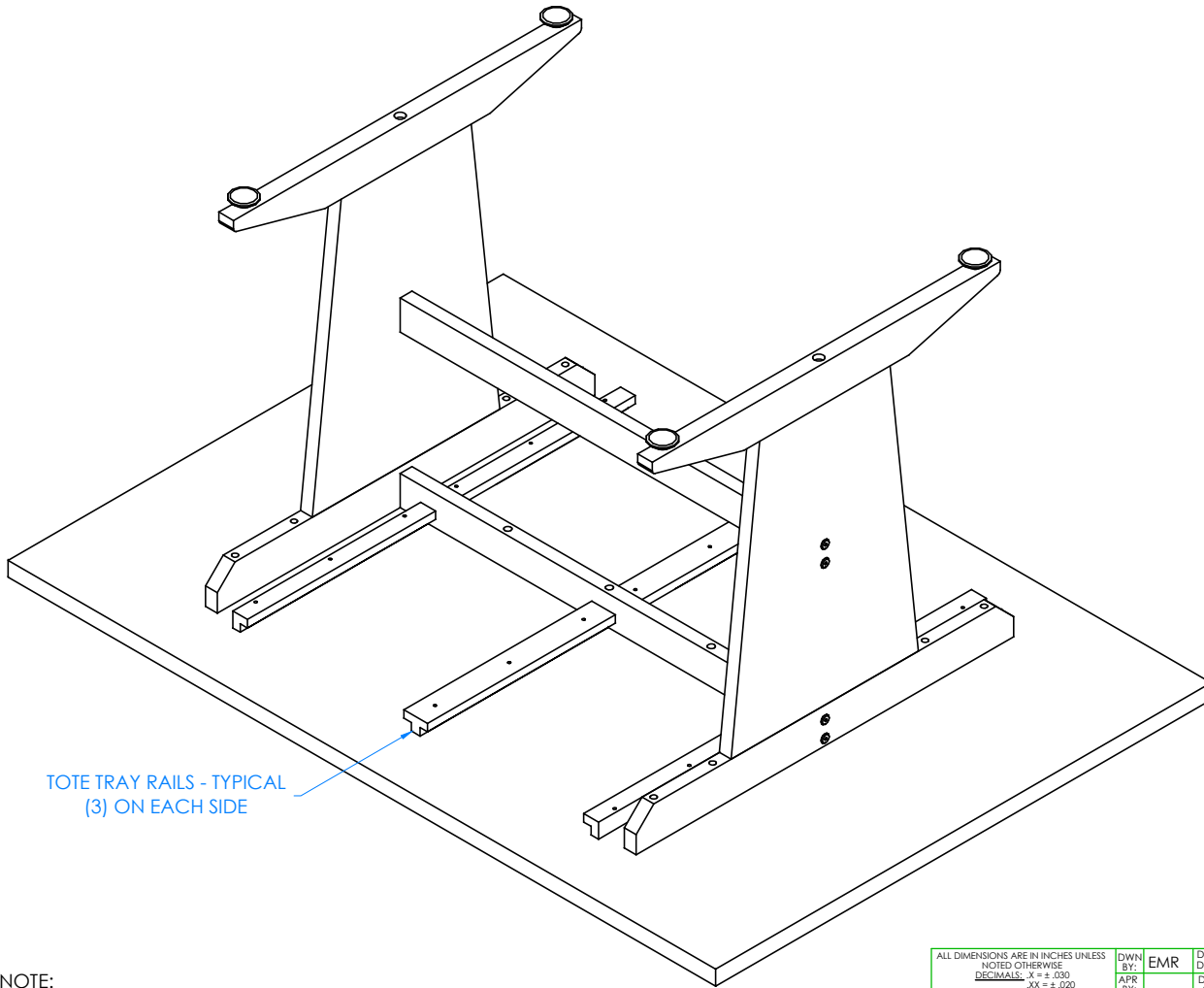
THESE DOCUMENTS ARE SUPPLIED WITH THE UNDERSTANDING THAT THEY WILL NOT BE DISCLOSED TO THIRD PARTIES WITHOUT WRITTEN CONSENT OF DIVERSIFIED WOODCRAFTS, INC. ANY REPRODUCTION IN PART OR WHOLE WITHOUT WRITTEN CONSENT IS SUBJECT TO LEGAL ACTION.



TITLE:  
PLANNING TABLES  
ASSEMBLY INSTRUCTIONS

REV.	DESCRIPTION	DATE	NAME	ECN NO.
A	CREATED ASSEMBLY INSTRUCTIONS	10/23/14	EMR	-
REVISION LEVEL				

DRAWING NUMBER:	SCALE:	SHEET:	REVISION:
PT-60, PT-61, & PT-62 SERIES	NTS	6 OF 9	REV A



STEP 5:

- SCREW CENTER AND OUTER TOTE RAILS IN CORRECT LOCATIONS INTO TOP WITH HARDWARE PROVIDED.

TOTE TRAY RAILS - TYPICAL  
(3) ON EACH SIDE

NOTE:

1.

FOR TABLES WITH TOTE TRAYS ONLY

ALL DIMENSIONS ARE IN INCHES UNLESS NOTED OTHERWISE	DWN BY:	EMR	DATE DWN:	10/23/14
DECIMALS: X = ± .020	APR BY:		DATE APR:	
XX = ± .020	APR BY:		DATE APR:	
XXX = ± .010	APR BY:		DATE APR:	
ANGLES: = ± 1°	APR BY:		DATE APR:	
CABINET SQUARENESS: = ± .0625	APR BY:		DATE APR:	



CONFIDENTIAL:  
ALL DESIGN RIGHTS RESERVED  
THE INFORMATION, DATA, DESIGN, AND DRAWINGS EMBODIED IN THIS DOCUMENT AND ALL REPRODUCTIONS THEREOF ARE THE EXCLUSIVE PROPERTY OF DIVERSIFIED WOODCRAFTS, INC.

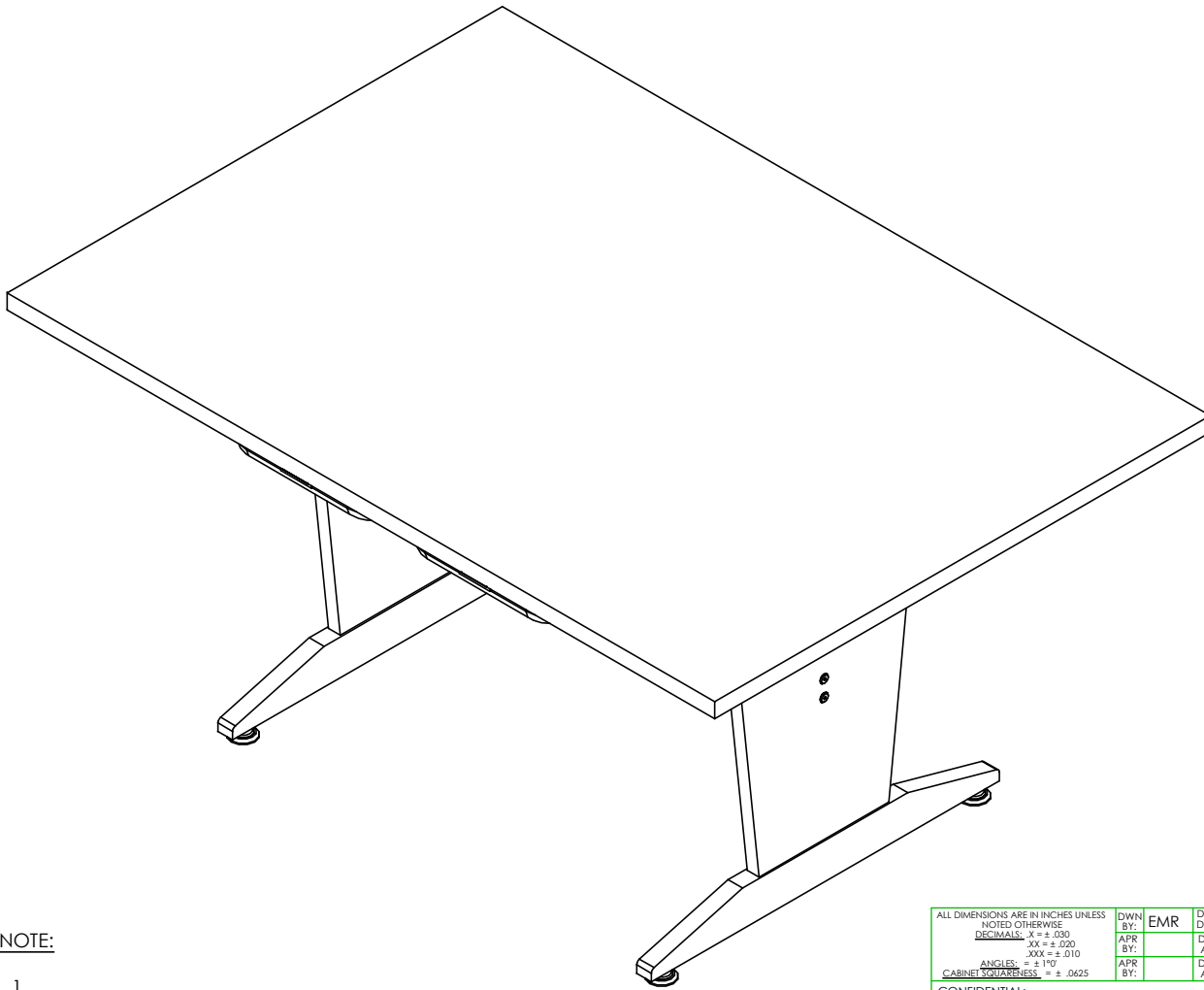
TITLE:  
PLANNING TABLES  
ASSEMBLY INSTRUCTIONS

THESE DOCUMENTS ARE SUPPLIED WITH THE UNDERSTANDING THAT THEY WILL NOT BE DISCLOSED TO THIRD PARTIES WITHOUT WRITTEN CONSENT OF DIVERSIFIED WOODCRAFTS, INC. ANY REPRODUCTION IN PART OR WHOLE WITHOUT WRITTEN CONSENT IS SUBJECT TO LEGAL ACTION.

REV.	DESCRIPTION	DATE	NAME	ECN NO.
A	CREATED ASSEMBLY INSTRUCTIONS	10/23/14	EMR	-

REVISION LEVEL

DRAWING NUMBER:	SCALE:	SHEET:	REVISION:
PT-60, PT-61, & PT-62 SERIES	NTS	7 OF 9	REV A



STEP 6:

- TURN TABLE OVER SO TOP IS UP.
- ADJUST LEG LEVELERS TO LEVEL TABLE.
- ADD TOTE TRAYS (IF NECESSARY).
- SET TABLE IN PLACE.

NOTE:

1.

COMPLETE UNIT SHOWN

ALL DIMENSIONS ARE IN INCHES UNLESS NOTED OTHERWISE	DWN BY:	EMR	DATE DWN:	10/23/14
DECIMALS: X = ± .020	APR BY:		DATE APR:	
XX = ± .020	APR BY:		DATE APR:	
XXX = ± .010	APR BY:		DATE APR:	
ANGLES: = ± 1°0	APR BY:		DATE APR:	
CABINET SQUARENESS: = ± .0625	APR BY:		DATE APR:	



CONFIDENTIAL:  
 ALL DESIGN RIGHTS RESERVED  
 THE INFORMATION, DATA, DESIGN, AND DRAWINGS EMBODIED IN THIS DOCUMENT AND ALL REPRODUCTIONS THEREOF ARE THE EXCLUSIVE PROPERTY OF DIVERSIFIED WOODCRAFTS, INC.

TITLE:  
 PLANNING TABLES  
 ASSEMBLY INSTRUCTIONS

THESE DOCUMENTS ARE SUPPLIED WITH THE UNDERSTANDING THAT THEY WILL NOT BE DISCLOSED TO THIRD PARTIES WITHOUT WRITTEN CONSENT OF DIVERSIFIED WOODCRAFTS, INC. ANY REPRODUCTION IN PART OR WHOLE WITHOUT WRITTEN CONSENT IS SUBJECT TO LEGAL ACTION.

REV.	DESCRIPTION	DATE	NAME	ECN NO.
A	CREATED ASSEMBLY INSTRUCTIONS	10/23/14	EMR	-
REVISION LEVEL				

DRAWING NUMBER:	SCALE:	SHEET:	REVISION:
PT-60, PT-61, & PT-62 SERIES	NTS	8 OF 9	REV A