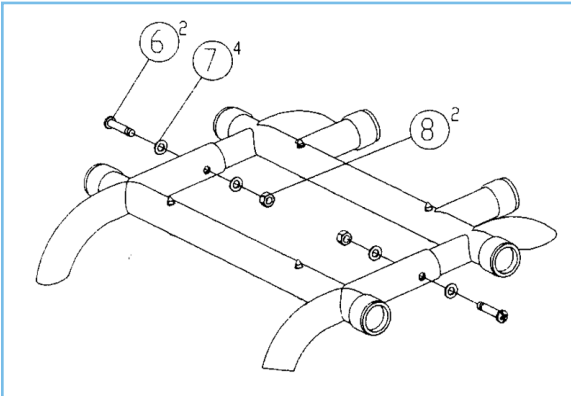
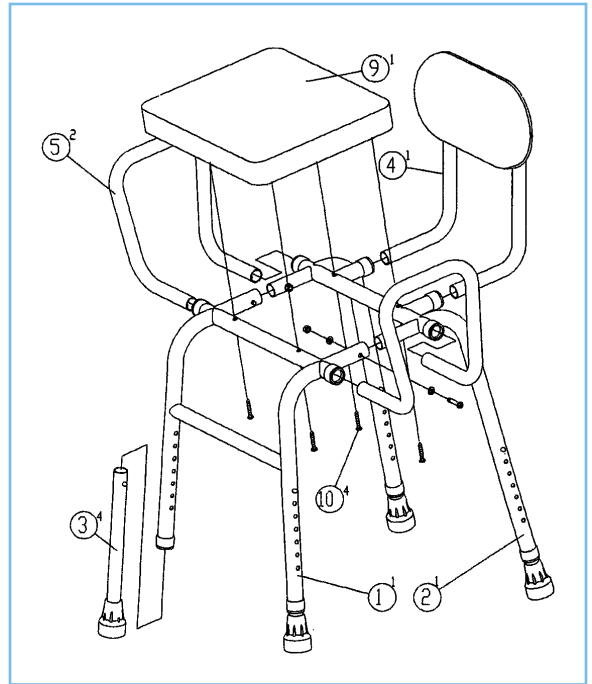


# assembly instructions

1. Secure part #1 ( Front frame) to part #2 (Back frame). Insert part # 3 (Foot pieces) into the Front and Back frame. Insure when installing part #3 (Foot pieces) into the frame, both buttons protrude through the notches in the Frame.
2. Insert part #4 (Backrest) into the Back frame and insert part #5 (Handle) into the Front/Back frame.
3. Use parts #6, #7 and #8 to tighten the Front/ Back frame.
4. Put part #9 (Seat) and insert with part #10 (Screws) to tighten the Seat.



**WEIGHT CAPACITY 300 LBS.**

**drive**  
MEDICAL DESIGN & MANUFACTURING