

pivot & tilt overbed table



assembly & operating instructions

Note: Spare part 2 packed separately
and included in the box.

Release knob 1 before straightening tube 2

Tighten knob 1

Release knob 4

Secure tube 5 into part 6 by pushing button

Screw on part 3 for up and down setting



Locking
Device



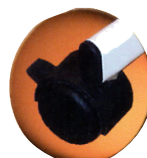
Protective
Trim



Height
Adjustment Knob

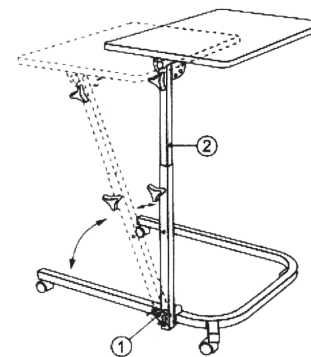


Folding
Knob

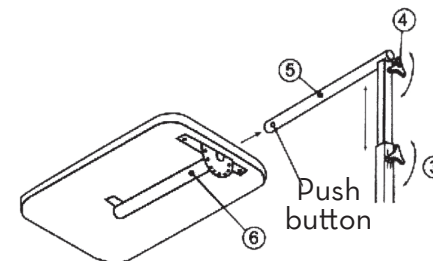


Casters With
Locks

step 1



step 2



complete

