

# Etac Clean 24"

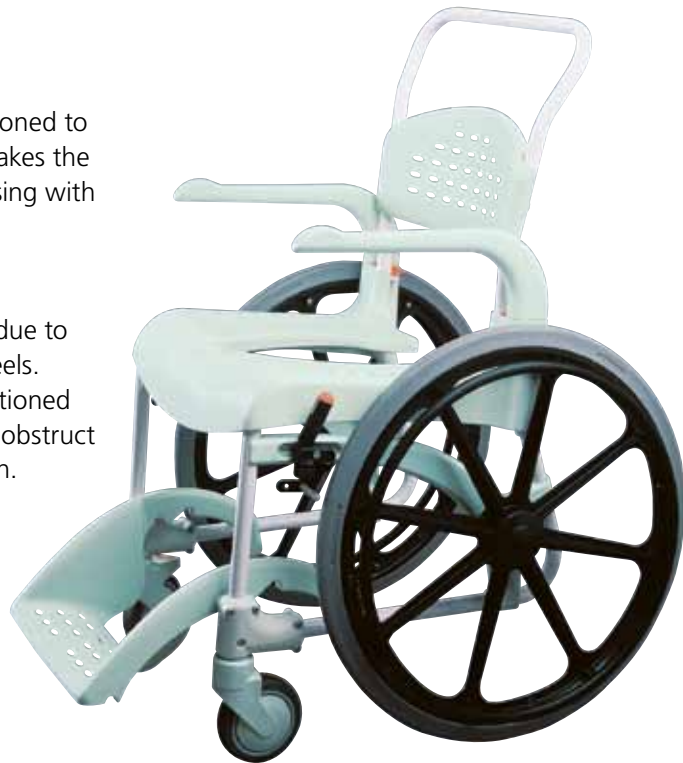
Easy to use and propel. With the functional Clean seat and foot support.

## Easy manoeuvring

The rear wheels on Clean 24" are positioned to maximize the manoeuvrability which makes the chair easy to propel without compromising with the security.

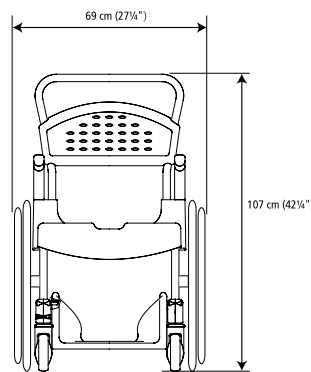
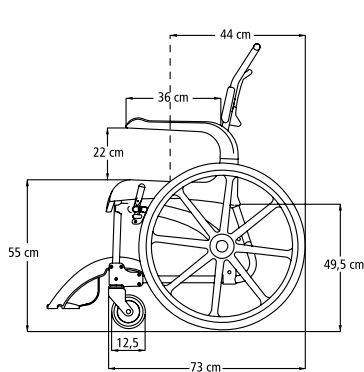
## Easy transfers

Side transfers can be performed safely due to sufficient seat space in front of the wheels. Furthermore the brake handles are positioned just underneath the seat surface not to obstruct transfer but still being very easy to reach.



## Accessories

See our wide range of accessories on page 40-41.



Other dimensions: Width between arm supports: 43.5 cm (17 1/4"), seat width: 48 cm (19")

A standard Clean with 55 cm (21 3/4") seat height can be remodeled to a Clean 24" by assembling the accessory "Rear Wheel Adapter". See page 41.



The seat provides sufficient space for safe side transfers.

### Description

Clean 55 cm (21 3/4") with 24" rear wheels, green 80209216  
Clean 55 cm (21 3/4") with 24" rear wheels, grey 80209276

### Weight

20 kg (44.1 lbs)

### Material

Rear wheel adapter: aluminum  
Rear Wheels: polyamide, solid tires



reddot



max 85°C  
3 min

max 185°F  
3 min

max 130 kg  
max 287 lbs



Clean the product with a solvent-free cleaning agent (pH level 6-9), or with a 70% disinfectant solution. Can be decontaminated at max. 85°C / 185°F if so required.

## Accessories all Clean models



**Soft pad**  
Green: 80209236  
Grey: 80209260  
Heat-reflecting with a non-slip surface.  
Recess width: 17 cm (6¾")  
Material: polyethylene  
Cleaning max. 60° C (140 °F) or with alcohol wipe.



**Soft back pad**  
Green: 80209238  
Grey: 80209261  
Heat-reflecting with a non-slip surface.  
Material: polyethylene  
Cleaning max. 60° C (140 °F) or with alcohol wipe.



**Seat Cover**  
80209247  
When a complete seat is required.  
Material: Polyurethane  
Cleaning max. 85° C (185°F)



**Clean Comfort Seat**  
Grey: 80209227  
A soft contoured seat.  
Material: polyurethane.  
Cleaning max. 85° C (185°F)



**Clean Comfort Cover**  
Grey: 80209228  
A soft back support with integrated arm support pads. Material: polyethylene.  
Cleaning max. 60° C (140 °F) or with alcohol wipe.



**Cushion Protect**  
Pair, Grey: 80209226  
Soft and warm, leaving the handles free to ensure a firm grip when standing up.  
Material: polyethylene  
Cleaning max. 60° C (140 °F) or with alcohol wipe.



**Clean Comfort Kit**  
80209237  
Includes both Comfort Seat and Comfort Cover.



**Clean Side Support**  
80209509  
Support for the upper trunk.  
Material: Polyester fabric, Velcro, polyethylene.  
Washing at max. 60° C (140 °F)



**Cushion, Protect**  
80209245  
Air-inflated ROHO cushion with excellent pressure distribution properties. Adjustable air pressure. Recess width: 21 cm (8¼").  
Material: Neoprene  
Cleaning max: 60° C (140 °F)



**Cross bar**  
80209246  
Attached to the arm supports.  
Material: Aluminium, cellular polyethylene, polypropylene



**Safety strap**  
80209034  
Attachments on the rear side of the back support. Material: Polyester



**Soap dish (Do not fit Clean 24")**  
Green: 81701140  
Grey: 80209266  
Attaches to the side of the seat. Built-in shower handle holder.  
Material: Polypropylene



**Pan**  
Green: 80209230  
Grey: 80209254

**Pan incl. lid with handle**  
Green: 80209231  
Grey: 80209255  
Material: Polyamide



**Pan holder**  
Green: 80209233  
Grey: 80209257  
Fits both Clean pan and regular hospital pans with a thin rim.



**Bucket holder**  
Green: 80209234  
Grey: 80209258  
Fits bucket with a thick rim.  
Material: Polypropene

**Attachment for low mounting of pan/bucket**  
Green: 80209235  
Grey: 80209259  
Fitted to the pan/bucket holder.  
Material: Polypropene



**Bedpan**  
82001001  
Plastic, able to withstand boiling.  
Fits the bucket holder.