

# Etac Clean height adjustable

Adjustable up to 60 cm ( 23½") seat height.

## Easy height adjustment

The height can be adjusted to fit perfectly over the toilet or to match a specific transfer situation, for example to and from the bed. The adjustment is easily done without any need for tools.

## Clean functionality

Clean height adjustable has the same unique seat and foot support as all models. It also has a perfect fit over any wall mounted toilet.



All castors are lockable.

## Accessories

See our wide range of accessories on page 40-41.

### Description

Clean height adjustable 80209208

### Material

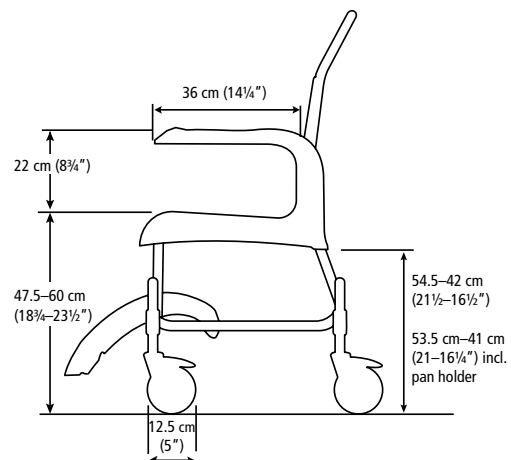
Chassis: Powder coated steel tubing  
 Seat/Back support: Polypropylene  
 Arm supports: Polypropylene  
 Foot support: Polypropylene  
 Castors with ball, bearings: Polyamide/TPE/Stainless steel tubing  
 Castor brackets: Polyamide  
 Castor height adjustment tubes: Stainless steel

### Weight

14.2 kg (31.3 lbs)



Clean the product with a solvent-free cleaning agent (pH level 6–9), or with a 70% disinfectant solution. Can be decontaminated at max. 85°C / 185°F if so required.



Other dimensions: Total width: 55 cm (21¾"), width between the arm supports: 43.5 cm (17¼"), seat width: 48 cm (19").

## Accessories all Clean models



**Soft pad**  
 Green: 80209236  
 Grey: 80209260  
 Heat-reflecting with a non-slip surface.  
 Recess width: 17 cm (6¾")  
 Material: polyethylene  
 Cleaning max max. 60° C (140 °F) or with alcohol wipe.



**Soft back pad**  
 Green: 80209238  
 Grey: 80209261  
 Heat-reflecting with a non-slip surface.  
 Material: polyethylene  
 Cleaning max. 60° C (140 °F) or with alcohol wipe.



**Seat Cover**  
 80209247  
 When a complete seat is required.  
 Material: Polyurethane  
 Cleaning max. 85° C (185°F)



**Clean Comfort Seat**  
 Grey: 80209227  
 A soft contoured seat.  
 Material: polyurethane.  
 Cleaning max. 85° C (185°F)



**Clean Comfort Cover**  
 Grey: 80209228  
 A soft back support with integrated arm support pads. Material: polyethylene.  
 Cleaning max. 60° C (140 °F) or with alcohol wipe.



**Cushion Protect**  
 Pair, Grey: 80209226  
 Soft and warm, leaving the handles free to ensure a firm grip when standing up.  
 Material: polyethylene  
 Cleaning max. 60° C (140 °F) or with alcohol wipe.



**Clean Comfort Kit**  
 80209237  
 Includes both Comfort Seat and Comfort Cover.



**Clean Side Support**  
 80209509  
 Support for the upper trunk.  
 Material: Polyester fabric, Velcro, polyethylene.  
 Washing at max. 60° C (140 °F)



**Cushion, Protect**  
 80209245  
 Air-inflated ROHO cushion with excellent pressure distribution properties. Adjustable air pressure. Recess width: 21 cm (8¼").  
 Material: Neoprene  
 Cleaning max: 60° C (140 °F)



**Cross bar**  
 80209246  
 Attached to the arm supports.  
 Material: Aluminium, cellular polyethylene, polypropylene



**Safety strap**  
 80209034  
 Attachments on the rear side of the back support. Material: Polyester



**Soap dish (Do not fit Clean 24")**  
 Green: 81701140  
 Grey: 80209266  
 Attaches to the side of the seat. Built-in shower handle holder.  
 Material: Polypropylene



**Pan**  
 Green: 80209230  
 Grey: 80209254

**Pan incl. lid with handle**  
 Green: 80209231  
 Grey: 80209255  
 Material: Polyamide



**Pan holder**  
 Green: 80209233  
 Grey: 80209257  
 Fits both Clean pan and regular hospital pans with a thin rim.



**Bucket holder**  
 Green: 80209234  
 Grey: 80209258  
 Fits bucket with a thick rim.  
 Material: Polypropene

**Attachment for low mounting of pan/bucket**  
 Green: 80209235  
 Grey: 80209259  
 Fitted to the pan/bucket holder.  
 Material: Polypropene



**Bedpan**  
 82001001Plastic, able to withstand boiling.  
 Fits the bucket holder.