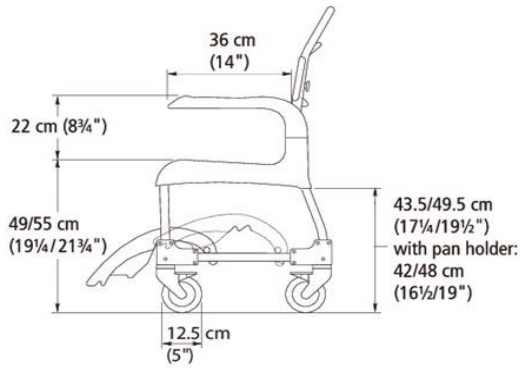
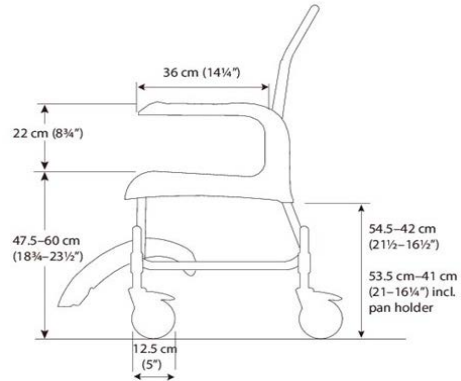


Account No. _____	Drop Ship: _____
Date: _____	Name _____
P.O. Number: _____	Address _____
Buyer: _____	City _____
Marked For: _____	State _____ Zip _____
E Mail: _____	Tel. _____ Fax _____

**Measurements Clean & Height Adjustable Clean**

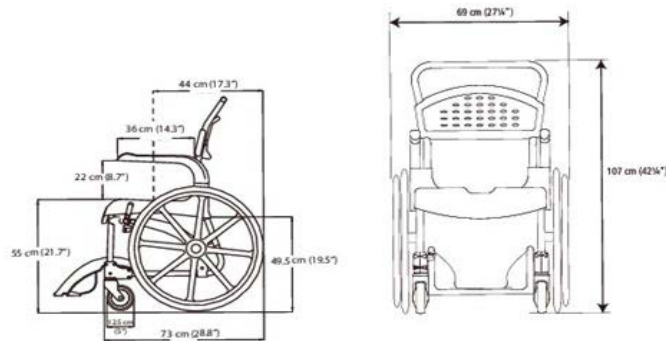


Clean



Height Adjustable Clean

**Measurements Clean 24"**



**Features included in standard price**


Rust proof frame with large plastic wheels  
 19" wide seating surface  
 Three seat heights - 17", 19" & 22"  
 One piece height adjustable footrest

Locking arm supports  
 Maximum User weight - 287 lbs  
 Four locking castors






Description	Part No.	Price
Clean 17" (44cm)	E80209269	640 <input type="checkbox"/>
Clean 19" (49cm)	E80209270	700 <input type="checkbox"/>
Clean 22" (55cm)	E80209271	700 <input type="checkbox"/>
Clean 22" with 24" Rear Wheels	E80209276	1,600 <input type="checkbox"/>
Clean Height Adjustable	E80209208	800 <input type="checkbox"/>

*Please note: We are unable to accept returns or exchanges of hygiene products due to health concerns*

Accessories	Description	Part No.	Price
	Soft Pad	E80209260	115 <input type="checkbox"/>
	Soft Back Pad	E80209261	60 <input type="checkbox"/>
	Seat Cover	E80209247	115 <input type="checkbox"/>
	Clean Comfort Seat	E80209227	110 <input type="checkbox"/>
	Clean Comfort Cover	E80209228	150 <input type="checkbox"/>
	Clean Comfort Arm Pads	E80209226	96 <input type="checkbox"/>
	Clean Side Support	E80209509	96 <input type="checkbox"/>
	Cushion Protect	E80209245	650 <input type="checkbox"/>
	Cross Bar	E80209246	50 <input type="checkbox"/>
	Positioning Belt	E80209034	35 <input type="checkbox"/>
	Soap Dish (does not fit Clean 24")	E80209266	10 <input type="checkbox"/>
	Pan	E80209254	20 <input type="checkbox"/>
	Pan Holder	E80209257	10 <input type="checkbox"/>
	Bucket Holder	E80209258	12 <input type="checkbox"/>
	Attachment for Low Mounting	E80209259	15 <input type="checkbox"/>
	Bed Pan	E82001001	15 <input type="checkbox"/>
	Disposable Pan, 50 pc	E80209280	72 <input type="checkbox"/>
	Disposable Pan Holder Kit	E80209229	72 <input type="checkbox"/>

**Accessories for Height Adjustable Clean Only**

	Flip Up Foot Supports, Pair	E80209250	325 <input type="checkbox"/>
	Elevating Leg Support, Right	E80209252	745 <input type="checkbox"/>
	Elevating Leg Support, Left	E80209253	760 <input type="checkbox"/>

*Please note: We are unable to accept returns or exchanges of hygiene products due to health concerns*