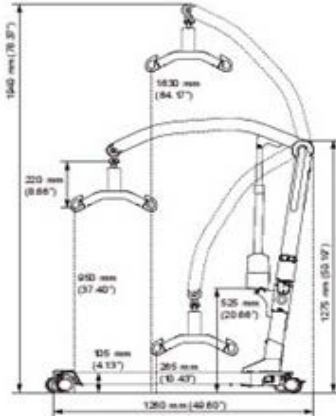
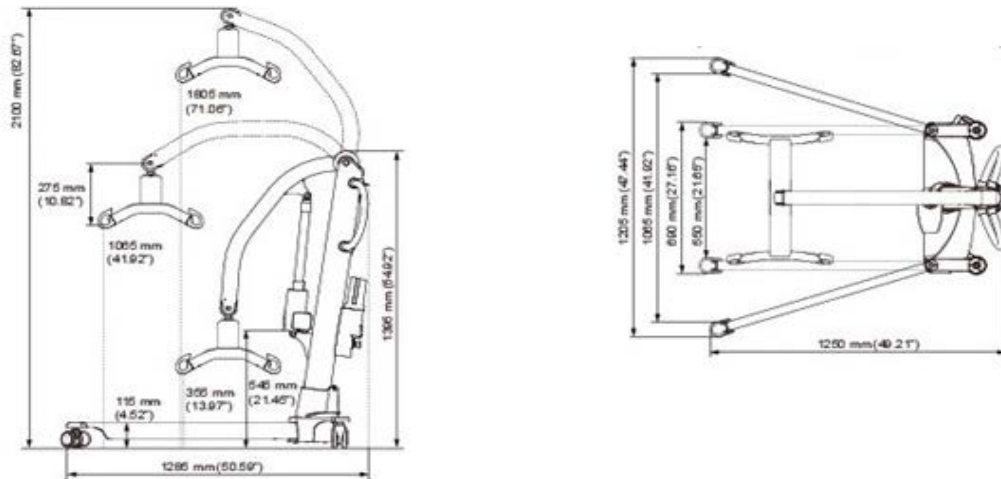


Account No. _____	Drop Ship: _____
Date: _____	Name _____
P.O. Number: _____	Address _____
Buyer: _____	City _____
Marked For: _____	State _____ Zip _____
E Mail: _____	Tel. _____ Fax _____

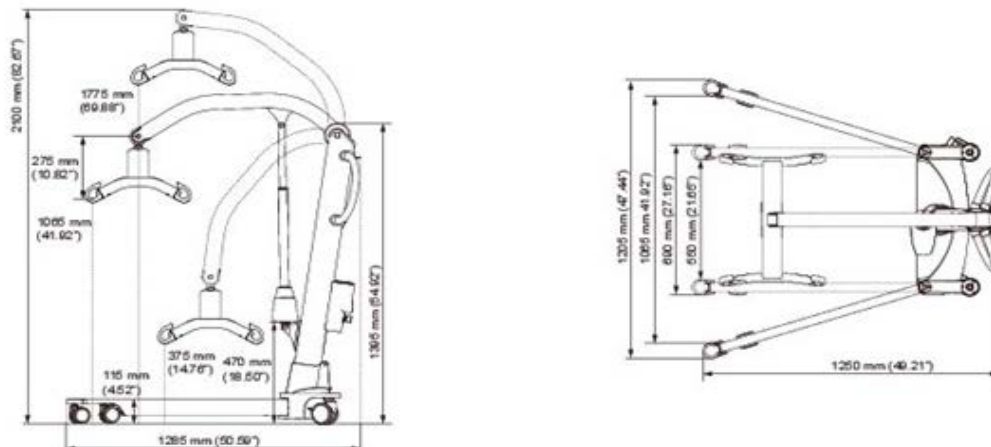
Measurements Mover 180




Measurements Mover 205



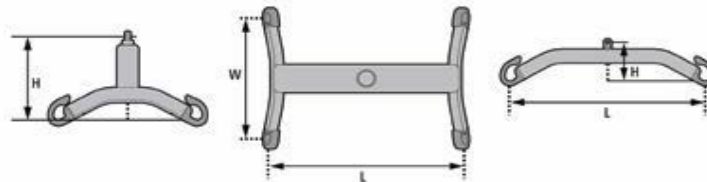
Measurements Mover 300



Description	Max User Weight	Part No.	Price
 Mover 180	400 lb	N18000	2,795 <input type="checkbox"/>
Mover 205 Standard	452 lb	N14000	4,710 <input type="checkbox"/>
Mover 205 Low Base	452 lb	N14050	5,675 <input type="checkbox"/>
Mover 205 Supporting Arms	452 lb	N14150	5,775 <input type="checkbox"/>
Mover 300 Standard	660 lb	N15050	5,200 <input type="checkbox"/>
Mover 300 Supporting Arms	660 lb	N15150	5,995 <input type="checkbox"/>
<i>Excludes Suspension</i>			

Suspensions

L x W x H



Mover 180 4-point, S	8.3 x 11.8 x 13.4"	N1830012	425 <input type="checkbox"/>
Mover 180 4-point, M	16.5 x 11 x 9.3"	N1830011	435 <input type="checkbox"/>
Mover 180 4-point, L	20.9 x 14.2 x 11.6"	N1830010	450 <input type="checkbox"/>
Mover 180 2-point, S	13.4 x 5.1"	N1830003	200 <input type="checkbox"/>
Mover 180 2-point, M	17.3 x 5.1"	N1830002	200 <input type="checkbox"/>
Mover 180 2-point, L	21.3 x 5.1"	N1830001	220 <input type="checkbox"/>
Mover 205 4-point, M	16.5 x 11 x 9.3"	N1430013	630 <input type="checkbox"/>
Mover 205 4-point, L	20.9 x 14.2 x 11.6"	N1430014	640 <input type="checkbox"/>
Mover 205 2-point, S	13.4 x 5.1"	N1430015	360 <input type="checkbox"/>
Mover 205 2-point, M	17.3 x 5.1"	N1430016	380 <input type="checkbox"/>
Mover 205 2-point, L	21.3 x 5.1"	N1430017	395 <input type="checkbox"/>
Mover 300 4-point, M	16.5 x 11 x 9.3"	N1530001	746 <input type="checkbox"/>
Mover 300 4-point, L	21.7 x 14.2 x 11.6"	N1530002	758 <input type="checkbox"/>

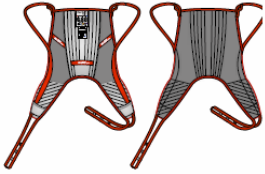
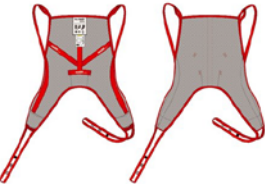

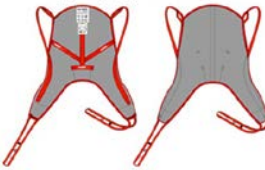

Spare Parts



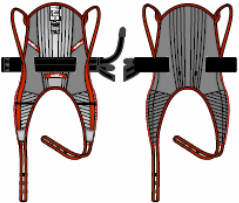
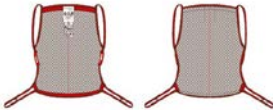
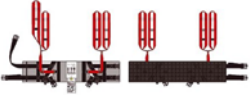



Replacement Battery

N0541000

195

Slings	Description	User Weight	Size	Part No.	Price
	RgoSling MediumBack, Padded	37-55lbs	XS	N1720110	155 <input type="checkbox"/>
	RgoSling MediumBack, Padded	55-110lbs	S	N1720120	155 <input type="checkbox"/>
	RgoSling MediumBack, Padded	99-210lbs	M	N1720130	175 <input type="checkbox"/>
	RgoSling MediumBack, Padded	198-353lbs	L	N1720140	195 <input type="checkbox"/>
	RgoSling MediumBack, Padded	353-529lbs	XL	N1720150	215 <input type="checkbox"/>
	RgoSling MediumBack, Padded	507-660lbs	XXL	N1720160	240 <input type="checkbox"/>
	RgoSling MediumBack, Net	26-37lbs	XXS	N1720300	125 <input type="checkbox"/>
	RgoSling MediumBack, Net	37-55lbs	XS	N1720310	130 <input type="checkbox"/>
	RgoSling MediumBack, Net	55-110lbs	S	N1720320	135 <input type="checkbox"/>
	RgoSling MediumBack, Net	99-210lbs	M	N1720330	145 <input type="checkbox"/>
	RgoSling MediumBack, Net	198-353lbs	L	N1720340	155 <input type="checkbox"/>
	RgoSling MediumBack, Net	353-529lbs	XL	N1720350	170 <input type="checkbox"/>
	RgoSling MediumBack, Net	507-660lbs	XXL	N1720360	185 <input type="checkbox"/>
	RgoSling HighBack, Padded	37-55lbs	XS	N1720210	155 <input type="checkbox"/>
	RgoSling HighBack, Padded	55-110lbs	S	N1720220	165 <input type="checkbox"/>
	RgoSling HighBack, Padded	99-210lbs	M	N1720230	180 <input type="checkbox"/>
	RgoSling HighBack, Padded	198-353lbs	L	N1720240	205 <input type="checkbox"/>
	RgoSling HighBack, Padded	353-529lbs	XL	N1720250	240 <input type="checkbox"/>
	RgoSling HighBack, Padded	507-660lbs	XXL	N1720260	275 <input type="checkbox"/>
	RgoSling HighBack, Net	26-37lbs	XXS	N1720400	125 <input type="checkbox"/>
	RgoSling HighBack, Net	37-55lbs	XS	N1720410	130 <input type="checkbox"/>
	RgoSling HighBack, Net	55-110lbs	S	N1720420	140 <input type="checkbox"/>
	RgoSling HighBack, Net	99-210lbs	M	N1720430	150 <input type="checkbox"/>
	RgoSling HighBack, Net	198-353lbs	L	N1720440	165 <input type="checkbox"/>
	RgoSling HighBack, Net	353-529lbs	XL	N1720450	180 <input type="checkbox"/>
	RgoSling HighBack, Net	507-660lbs	XXL	N1720460	190 <input type="checkbox"/>
		RgoSling Toilet, LowBack	26-37lbs	XXS	N1720500
RgoSling Toilet, LowBack		37-55lbs	XS	N1720510	205 <input type="checkbox"/>
RgoSling Toilet, LowBack		55-110lbs	S	N1720520	215 <input type="checkbox"/>
RgoSling Toilet, LowBack		99-210lbs	M	N1720530	230 <input type="checkbox"/>
RgoSling Toilet, LowBack		198-353lbs	L	N1720540	255 <input type="checkbox"/>
RgoSling Toilet, LowBack		353-529lbs	XL	N1720550	300 <input type="checkbox"/>
RgoSling Toilet, LowBack		507-660lbs	XXL	N1720560	335 <input type="checkbox"/>

Slings	Description	User Weight	Size	Part No.	Price
	RgoSling Toilet, HighBack	26-37lbs	XXS	N1720600	240 <input type="checkbox"/>
	RgoSling Toilet, HighBack	37-55lbs	XS	N1720610	240 <input type="checkbox"/>
	RgoSling Toilet, HighBack	55-110lbs	S	N1720620	275 <input type="checkbox"/>
	RgoSling Toilet, HighBack	99-210lbs	M	N1720630	340 <input type="checkbox"/>
	RgoSling Toilet, HighBack	198-353lbs	L	N1720640	350 <input type="checkbox"/>
	RgoSling Toilet, HighBack	353-529lbs	XL	N1720650	360 <input type="checkbox"/>
	RgoSling Toilet, HighBack	507-660lbs	XXL	N1720660	410 <input type="checkbox"/>
	RgoSling Amputee, MediumBack	26-37lbs	XXS	N1721100	205 <input type="checkbox"/>
	RgoSling Amputee, MediumBack	37-55lbs	XS	N1721110	215 <input type="checkbox"/>
	RgoSling Amputee, MediumBack	55-110lbs	S	N1721120	220 <input type="checkbox"/>
	RgoSling Amputee, MediumBack	99-210lbs	M	N1721130	235 <input type="checkbox"/>
	RgoSling Amputee, MediumBack	198-353lbs	L	N1721140	270 <input type="checkbox"/>
	RgoSling Amputee, MediumBack	353-529lbs	XL	N1721150	315 <input type="checkbox"/>
	RgoSling Amputee, MediumBack	507-660lbs	XXL	N1721160	365 <input type="checkbox"/>
	RgoSling Amputee, HighBack	26-37lbs	XXS	N1721200	210 <input type="checkbox"/>
	RgoSling Amputee, HighBack	37-55lbs	XS	N1721210	225 <input type="checkbox"/>
	RgoSling Amputee, HighBack	55-110lbs	S	N1721220	230 <input type="checkbox"/>
	RgoSling Amputee, HighBack	99-210lbs	M	N1721230	255 <input type="checkbox"/>
	RgoSling Amputee, HighBack	198-353lbs	L	N1721240	290 <input type="checkbox"/>
	RgoSling Amputee, HighBack	353-529lbs	XL	N1721250	340 <input type="checkbox"/>
	RgoSling Amputee, HighBack	507-660lbs	XXL	N1721260	375 <input type="checkbox"/>
	RgoSling Comfort HighBack	55-110lbs	S	N1721420	130 <input type="checkbox"/>
	RgoSling Comfort HighBack	99-210lbs	M	N1721430	135 <input type="checkbox"/>
	RgoSling Comfort HighBack	198-353lbs	L	N1721440	145 <input type="checkbox"/>
	RgoSling Ambulating Vest	26-37lbs	XXS	N1721300	190 <input type="checkbox"/>
	RgoSling Ambulating Vest	37-55lbs	XS	N1721310	200 <input type="checkbox"/>
	RgoSling Ambulating Vest	55-110lbs	S	N1721320	205 <input type="checkbox"/>
	RgoSling Ambulating Vest	99-210lbs	M	N1721330	210 <input type="checkbox"/>
	RgoSling Ambulating Vest	198-353lbs	L	N1721340	220 <input type="checkbox"/>
	RgoSling Ambulating Vest	353-529lbs	XL	N1721350	245 <input type="checkbox"/>
		Groin Straps f/ Ambu Vest	each	XXS-XS	N1721700
Groin Straps f/ Ambu Vest		each	S-M	N1721720	25 <input type="checkbox"/>
Groin Straps f/ Ambu Vest		each	L-XL	N1721740	25 <input type="checkbox"/>

Accessories



RgoSling Extension Loops	each	one size	N1721600	15 <input type="checkbox"/>
--------------------------	------	----------	----------	-----------------------------