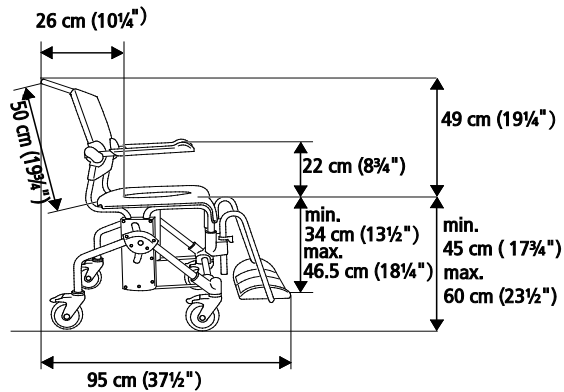


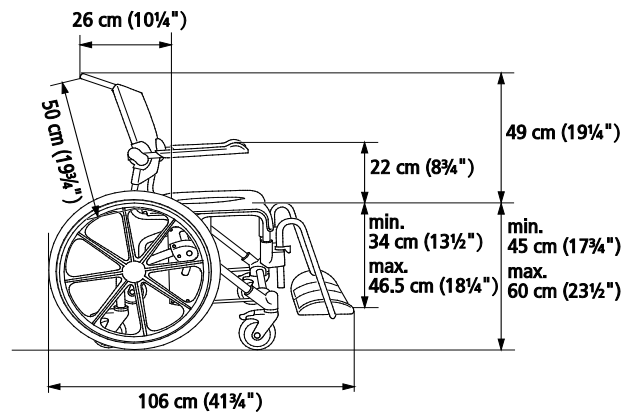
Account No. _____	Drop Ship: _____
Date: _____	Name _____
P.O. Number: _____	Address _____
Buyer: _____	City _____
Marked For: _____	State _____ Zip _____
E Mail: _____	Tel. _____ Fax _____

**Swift Mobile and Swift Mobile Tilt**

**Measurements Swift Mobile**



**Swift Mobile**



**Swift Mobile 24"**






**Features included in standard price**

Adjustable Strap Backrest  
 Armrest - Swing up  
 Four locking casters (Swift Mobile)  
 Easy to clean detachable seat

Adjustable seat height 17 3/4" to 23 1/2"  
 Swing-away Legrests  
 Ergonomic Footrests

Description	Seat Width	Part No.	Price	
Swift Mobile	Max. Weight - 298 lb.	19"	E80209401	1,295 <input type="checkbox"/>
Swift Mobile 160	Max. Weight - 353 lb.	21¼"	E80209420	1,395 <input type="checkbox"/>
Swift Mobile 24"	Max. Weight - 298 lb.	19"	E80209402	1,895 <input type="checkbox"/>
Swift Mobile Tilt - 130	Max. Weight - 297 lb.	19"	E80209410	2,495 <input type="checkbox"/>
Swift Mobile Tilt - 160	Max. Weight - 353 lb.	21¼"	E80209480	2,595 <input type="checkbox"/>
Swift Mobile Power Tilt	Max. Weight - 297 lb.	19"	E80209490	4,895 <input type="checkbox"/>

**Accessories**

	Commode pan	80209254	20	<input type="checkbox"/>
	Commode pan and lid with handle	80209255	40	<input type="checkbox"/>
	Lid with handle	80209256	25	<input type="checkbox"/>
	Pan Holder	80209257	10	<input type="checkbox"/>
	Bucket Holder	80209258	12	<input type="checkbox"/>
	Attachment for low mounting of pan/bucket	80209259	15	<input type="checkbox"/>
	Attachment for pan or bucket holder	80209435	12	<input type="checkbox"/>
	Chest harness - Must be used with seat belt	80209442	30	<input type="checkbox"/>
	Seat Belt	80209440	45	<input type="checkbox"/>
Roho Cushion	Seat Pad with 7" opening	80209433	105	<input type="checkbox"/>
	Seat Pad without opening	80209434	130	<input type="checkbox"/>
	Soft cushion with standard opening	80209065	125	<input type="checkbox"/>
	Soft cushion with oval opening	80209067	135	<input type="checkbox"/>
Soft Back Pad	Roho Protect Seat Cushion	80209245	650	<input type="checkbox"/>
	Soft Back Pad	80209448	170	<input type="checkbox"/>
	Headrest, Adjusts in height, depth, sideways	80209447	295	<input type="checkbox"/>
	Cross (Grab) Bar - 24.2"	80303034	76	<input type="checkbox"/>
	Cross (Grab) Bar - 26.6"	80209452	115	<input type="checkbox"/>
	Splash Guard	80209430	35	<input type="checkbox"/>
	Armrest widening kit - 2½" increase between armrests	80209441	145	<input type="checkbox"/>
	Hemiplegia Armrest	80209035	235	<input type="checkbox"/>
	Arm support lock, one piece	80209445	70	<input type="checkbox"/>
	Elevating leg and calf support	80209437	500	<input type="checkbox"/>
	Heel straps	80209432	45	<input type="checkbox"/>
	Footplate for leg and calf support	80209443	180	<input type="checkbox"/>
	Tilter	80209449	60	<input type="checkbox"/>
	Trunk support	80209509	96	<input type="checkbox"/>
	24" Rear wheel kit - Swift Mobile 130 only	80209436	640	<input type="checkbox"/>
	Anti-tip, pair, for 24" rear wheels	80209438	96	<input type="checkbox"/>
	Anti-tip, pair, for standard casters	80209439	140	<input type="checkbox"/>

*Please note: We are unable to accept returns or exchanges of hygiene products due to health concerns*