

TABLE OF RATED LOADS (lbs.)

RAMP LENGTH	4', 6', 8', & 10'	12' & 14'
RATED LOAD	1,200	850

INSTALLATION

1. Read and follow all labels, instructions, and warnings prior to use.
2. If the optional EZ-ACCESS Traverse Walk Ramp Wheel Kit (PN: TRAVERSE WK) is required, install prior to ramp use.
3. Place the ramp's top lip transition plate on upper support surface (top lip transition plate is the fixed end; the bottom of the ramp has a self-adjusting bottom transition plate). Ensure that top lip transition plate fully overlaps the supporting surface and that the ramp is perpendicular (90°) to the edge of the support surface. If obstructions prevent the top lip transition plate from fully overlapping or being placed at 90° from support surface, reposition ramp as required.
4. Ramp is equipped with a safety attachment point underneath the upper portion of ramp as a method of securing ramp when in use (FIG. 1). Use a strap, chain, or rope (not supplied) to attach the ramp to a vehicle or other structure when in use to prevent the top lip transition plate from slipping off the supporting surface.
5. In addition to the safety attachment point, secure top lip transition plate of ramp to supporting surface with clevis pins (or similar fasteners - not supplied) to prevent top lip transition plate from slipping when in use. Drill two 1/4" diameter holes through the top lip transition plate into supporting surface to a depth of 1" (minimum). Secure top lip transition plate by placing two 1/4" x 1" clevis pins through the drilled holes and into the supporting surface (FIG. 1).

STORAGE

1. Ramp may be stored on its side or vertically on top lip transition plate.
2. Do not store ramp on bottom transition plate as damage may occur.

MAINTENANCE

1. Keep ramp surface clean and free of debris.
2. Clean any oil or grease immediately.
3. Clean ramp with mild detergent and warm water (consult manufacturer before using abrasives or chemical cleaners).

WARNING

- ▲ Consult *Table of Rated Loads* for your ramp length. DO NOT exceed rated load.
- ▲ Do not drop ramp.
- ▲ Do not use ramp if less than 3" of top lip transition plate is overlapping support surface (FIG. 1).
- ▲ Avoid dragging ramp as this will rapidly wear the ramp and shorten useful life.
- ▲ Always exercise caution when using ramp.
- ▲ Use only if both top lip transition plate and bottom transition plate of ramp are supported by level, stable surfaces.
- ▲ Use only if support surfaces are capable of supporting, at minimum, the same loads as the ramp.
- ▲ Use only if sufficient maneuvering room is available at both ends of the ramp to assure that all loads will travel along the ramp centerline when entering and exiting the ramp.
- ▲ Ramp will conduct heat rapidly. Do not place on or near open flame or hot objects as burns may result when using or handling.
- ▲ If ramp is exposed to heat, hot weather or direct sunlight, use gloves when handling.
- ▲ Ramps in subfreezing temperatures will readily freeze any water that falls on the walking surface, thereby increasing the risk of slipping.
- ▲ Ramps reflect light. Use sunglasses, reposition ramp, or paint walking surface with flat-finish, light grey metal primer paint to minimize unsafe glare during use (use of darker paint will increase heat build-up of ramp during hot and sunny conditions).
- ▲ Use only if ice, snow, wet leaves and/or other debris, which may decrease traction and increase the risk of slipping, have been removed from ramp.
- ▲ Water on the ramp surface will decrease the traction and increase the risk of slipping. Use extreme caution when wet.
- ▲ When using ramp in wet conditions, reduce weight, limit travel speed, and reduce ramp angle if possible.
- ▲ If angle, load, or traction conditions are deemed unsafe, DO NOT USE ramp!
- ▲ Inspect ramp regularly for any damage, including bending and cracked or broken welds. If any part of the ramp is unstable, damaged, or defective, DO NOT USE!
- ▲ Aluminum ramps will conduct electricity. Do not use or handle around live wiring or during electrical storms.

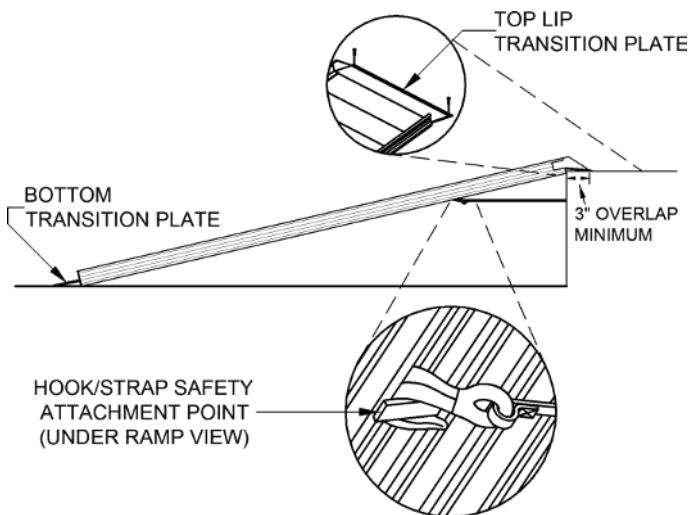


FIG. 1

3-Year Limited Warranty.

© EZ-ACCESS®, a division of Homecare Products, Inc. All rights reserved.
All text and images contained in this document are proprietary and may not be shared, modified, distributed, reproduced, or reused without the express written permission of EZ-ACCESS.





Instructions TRAVERSE™ Walk Ramp with Optional Wheel Kit

The EZ-ACCESS® Traverse Walk Ramp Wheel Kit allows the Traverse Walk Ramp to roll in lieu of being carried. Once installed, per these instructions, the Wheel Kit is rated for the weight of the ramp.

TABLE OF RATED LOADS (lbs.)

RAMP LENGTH	4', 6', 8', & 10'	12' & 14'
RATED LOAD	1,200	850

- ▲ Install the Wheel Kit prior to ramp use.
 1. Turn ramp on its side.
 2. Install the Wheel Kit on either side of the ramp.
 3. Use a tape measure to locate the center of the ramp side rail then mark the area using an appropriate marker.
 - ✎ For 12' & 14' ramp lengths, the wheel kit will need to be installed on the ramp side rail, adjacent to the flat bar.
 4. Using the Wheel Kit mounting hole as a guide, mark the side rail and drill a 3/8" hole through the side rail.
- ▲ Do not drill through tread I-Beams.
- ▲ Do not drill through flat bar on ramp side rail of 12' & 14' ramps.
- 5. Install by sliding the lip of the Wheel Kit frame under the hook of ramp's side rail then aligning the hole in the frame to the hole drilled in the previous step (FIG. 3).
 - ✎ Ensure the Wheel Kit frame makes contact with the surfaces of the side rail firmly.
- 6. Secure the Wheel Kit to the ramp using the supplied 5/16"-18 x 1" long hex bolt, two 5/16" washers, and 5/16"-18 nut installed as shown (FIG. 3).

WARNING

- ▲ Ramp Rated load: 1,200 lbs. for 4, 6, 8, & 10-FT lengths. Rated load: 850 lbs. for 12 & 14-FT lengths. Do not exceed rated load.
- ▲ Wheel Kit Rated Load: The rated for the Wheel Kit is the same as the ramp once assembled (see above).
- ▲ Please refer to ramp's instruction sheet for proper ramp use, safety guidelines, etc.
- ▲ Do not roll ramp on uneven or sloped surface.
- ▲ Use with care as the Traverse Walk Ramp Wheel Kit may cause ramp to be unsteady while rolling or while stored on edge (always secure ramp while storing).
- ▲ Never leave ramp unattended when the Traverse Walk Ramp Wheel Kit is in use.

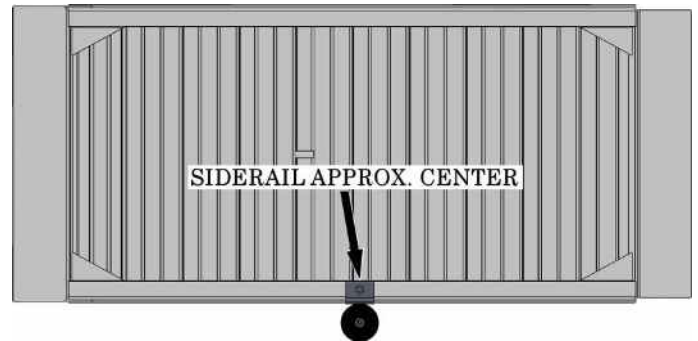


FIG. 2

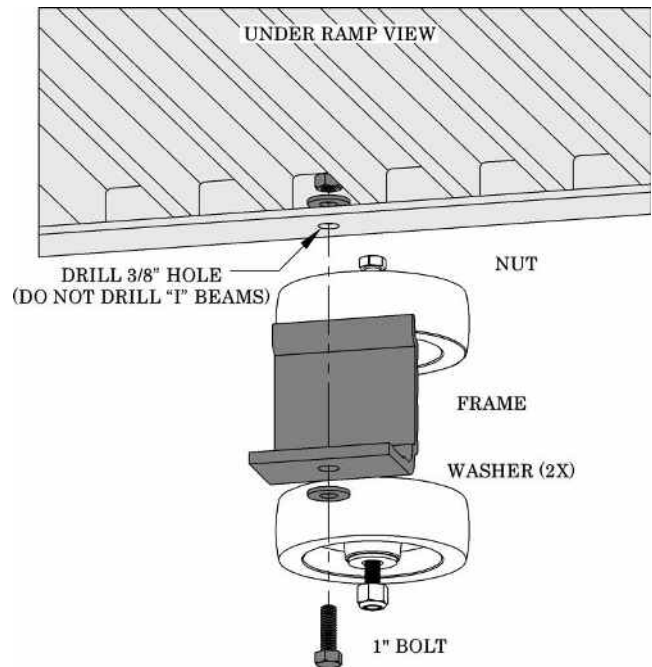


FIG. 3

3-Year Limited Warranty.

© EZ-ACCESS®, a division of Homecare Products, Inc. All rights reserved. All text and images contained in this document are proprietary and may not be shared, modified, distributed, reproduced, or reused without the express written permission of EZ-ACCESS.

