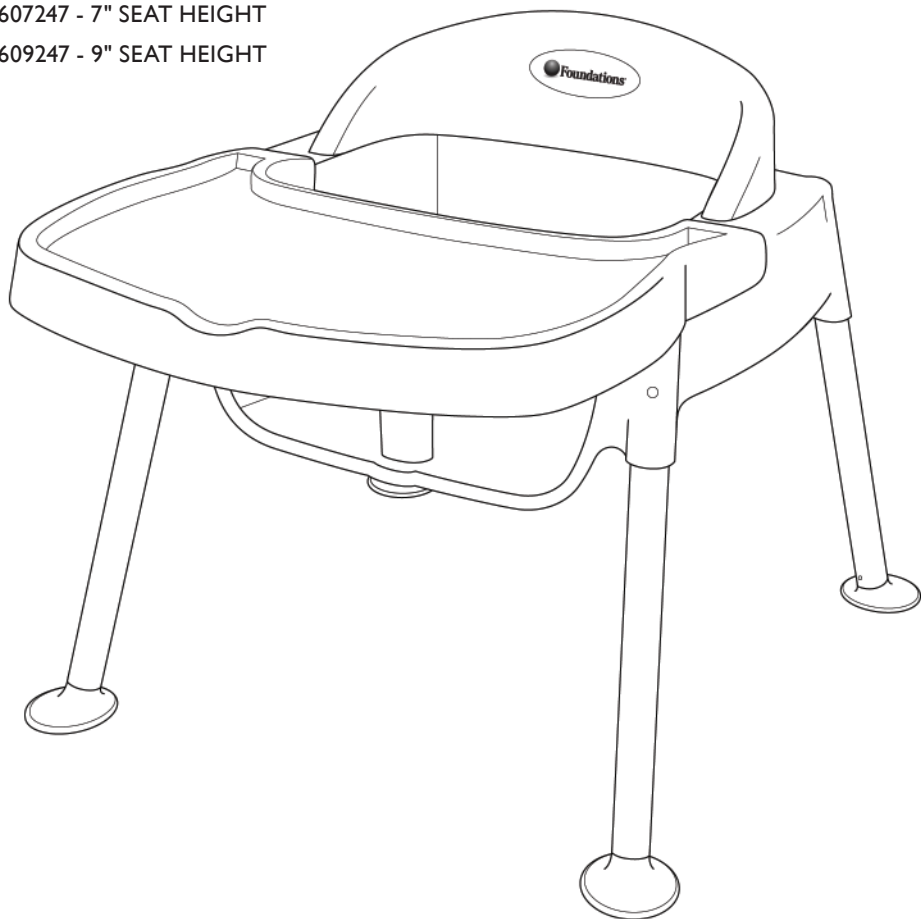


# Secure Sitter™

## TIP & SLIP PROOF FEEDING CHAIR

4607247 - 7" SEAT HEIGHT

4609247 - 9" SEAT HEIGHT



READ ALL INSTRUCTIONS BEFORE ASSEMBLY AND USE OF PRODUCT.  
KEEP INSTRUCTIONS FOR FURTHER USE.

# Secure Sitter™

## TIP & SLIP PROOF FEEDING CHAIR

### ASSEMBLY INSTRUCTIONS

- Adult assembly required
- Unpack carton, remove packaging materials, safely dispose of properly or recycle where possible.

RECORD PRODUCT INFORMATION FOUND ON PRODUCT HERE:

Model Number: \_\_\_\_\_

Manufacture Date: \_\_\_\_\_

PO Number: \_\_\_\_\_

## ⚠️ WARNING ⚠️

PREVENT SERIOUS INJURY OR DEATH FROM FALLS OR SLIDING OUT.

THE CHAIR SHALL BE USED ONLY FOR A CHILD CAPABLE OF SITTING UPRIGHT UNASSISTED.

MAXIMUM WEIGHT OF CHILD MUST NOT EXCEED 40 LBS (18 KG).

ALL OPERATING AND ASSEMBLY MUST BE PERFORMED BY AN ADULT.

NEVER LEAVE CHILD UNATTENDED. ALWAYS KEEP CHILD IN VIEW WHILE IN CHAIR.

CHILD SHOULD BE SECURED IN THE CHAIR AT ALL TIMES WITH THE 3 POINT HARNESS SYSTEM. ALWAYS ADJUST HARNESS PROPERLY TO THE SIZE OF THE CHILD.

TRAY IS NOT DESIGNED TO HOLD CHILD SECURE IN CHAIR.

NEVER LIFT OR CARRY HIGH CHAIR WITH CHILD IN IT

MAKE SURE ALL FASTENERS AND PARTS ARE SECURED TIGHTLY AND CHECK THEM PERIODICALLY.

DISCONTINUE USE IMMEDIATELY IF ANY PARTS ARE DAMAGED, BROKEN OR MISSING.

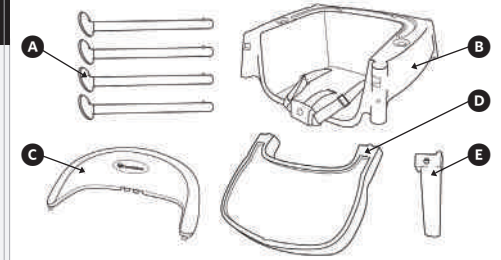
PLACE CHAIR ONLY ON LEVEL FLAT FLOOR SURFACES AND AWAY FROM HAZARDS SUCH AS STAIRS, HEATERS, STOVES OR DRAPERY CORDS. NEVER USE CHAIR ON A TABLE.

PREVENT SUFFOCATION AND DEATH: COMPLETELY REMOVE ALL PLASTIC BAGS AND PACKING MATERIALS BEFORE USING THIS PRODUCT.

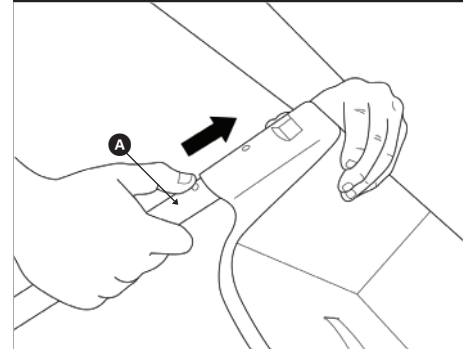
## TODDLER SEAT ASSEMBLY

### PARTS LIST

Part Description	Part #	Qty
<b>A</b> Legs 7" (model 4607247)	32200001	4
Legs 9" (model 4609247)	32200002	4
<b>B</b> Seat Body	32200003	1
<b>C</b> Seat Back	32200004	1
<b>D</b> Tray	32200005	1
<b>E</b> Crotch Restraint	32200008	1

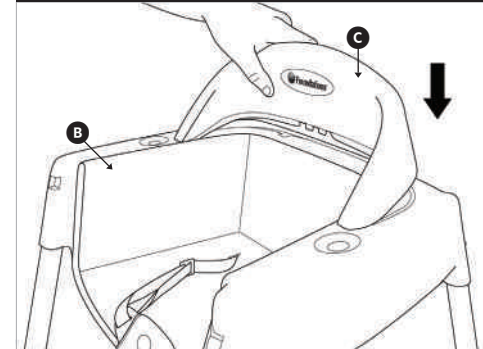


### STEP 1



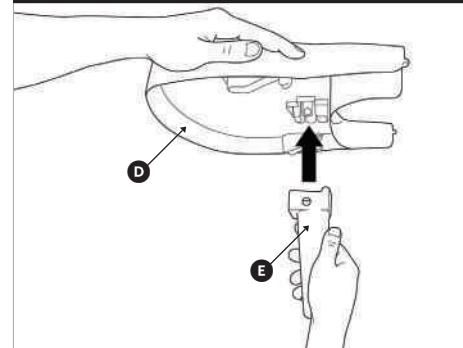
Insert the Legs **A** into the Seat Body **B** until you hear them click.

### STEP 2



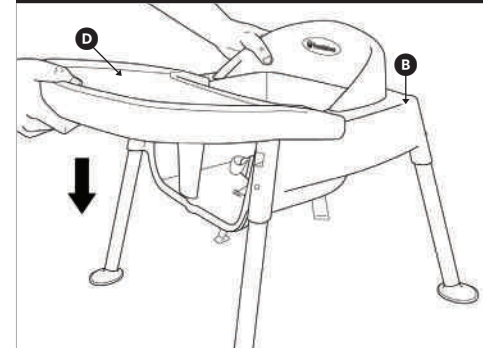
Snap the Seat Back **C** down into the Seat Body **B**.

### STEP 3



Snap Crotch Restraint **E** into bottom of Tray **D**.

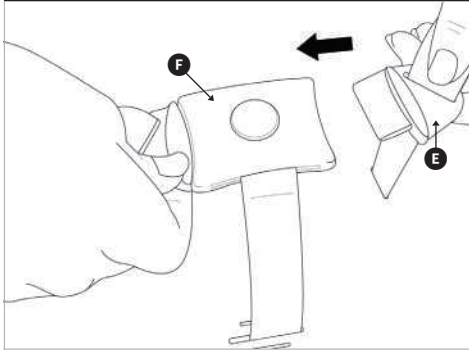
### STEP 4



Insert Tray/Restraint **D/E** into Seat Body **B** at a slight downward angle and click into place.  
(remove the tray quickly & easily by pressing the triggers underneath the tray and lifting up)

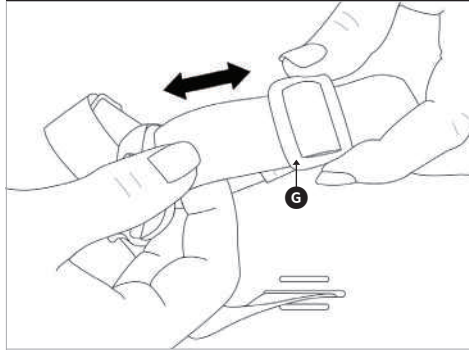
# HARNESSES ADJUSTMENT

## STEP 1



Insert the buckle clip **E** into the buckle housing **F** until you here them click.

## STEP 2



Adjust the strap **G** to tighten or loosen to desired fit.

## CARE & MAINTENANCE

- Store in dry area to ensure mold and corrosion do not occur. High chair should be thoroughly dried before storing.
- Plastic parts of chair and table:
  - Hand wash with a sponge and warm soapy water.
  - Avoid using furniture polish or cleaning agents that may be hazardous to children.
- Excessive exposure to sun could cause premature color fading of plastic.

