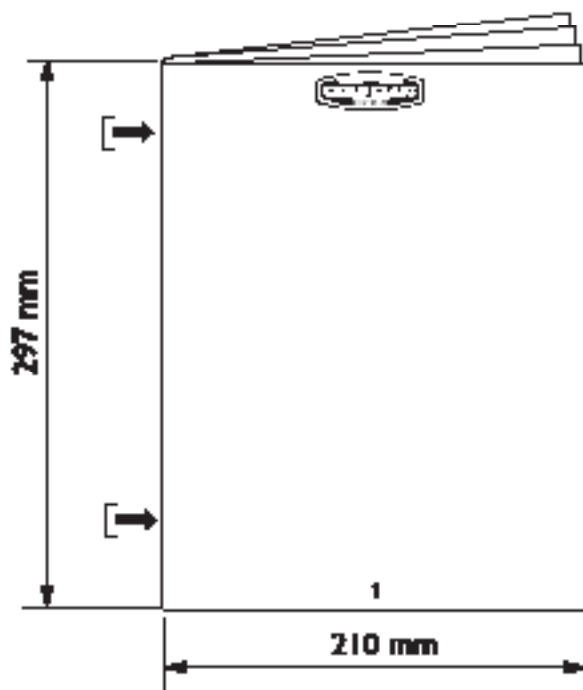


**This page is for printing and document
formatting specifications only.
THIS PAGE DOES NOT PRINT**



DO NOT scale the artwork for printing. Each page has been scaled for proper scaling of parts.

Page 1 will be the cover page and first page printed after this specification page. Any blank pages needed will be placed at the end of the booklet.

Printer to arrange booklet pages in proper sequence according to page number.

Simple Sitter™ Chair

**Models Covered: 4805047, 4807047, 4809047,
4801047, 4803047**

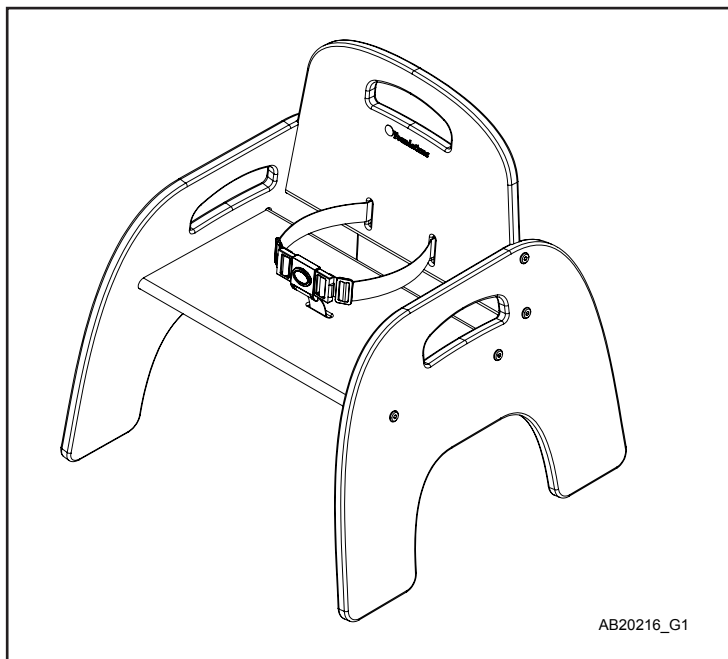
**Read all instructions BEFORE assembly and USE of product.
KEEP INSTRUCTIONS FOR FUTURE USE.**

ASSEMBLY ASSISTANCE

IMPORTANT: retain for future reference read carefully.

Foundations strives for the highest quality in our products but occasionally a missing part or problem can occur during assembly.

If any parts are missing or broken or you need assistance with assembly



Sitting Chair
Leg heights may vary

ASSEMBLY INSTRUCTIONS

- Adult assembly required.
- Read all instructions BEFORE assembly and USE of product.
- Unpack carton, remove packing materials, including poly bag. Identify and check all parts.

Record the information for your product here:

Model number: _____

Manufacture date: _____

PO number: _____

PARTS LIST

Part Description	Part Number	Quantity
A. Back	32400001	1
B. Seat	32400002	1
C. Left Side Leg 5"	32400052	1
Left Side leg 7"	32400054	
Left Side Leg 9"	32400056	
Left Side Leg 11"	32400058	
Left Side Leg 13"	32400060	
D. Right Side Leg 5"	32400051	1
Right Side Leg 7"	32400053	
Right Side Leg 9"	32400055	
Right Side Leg 11"	32400057	
Right Side Leg 13"	32400059	
E. 3 Point Belt Assembly	32400009	1
F. Bolt M6 x 30mm	11200768	8
G. Allen Wrench	11200588	1

PREPARATION

Carefully remove and lay out all hardware and parts. Check quantities and match the parts list.

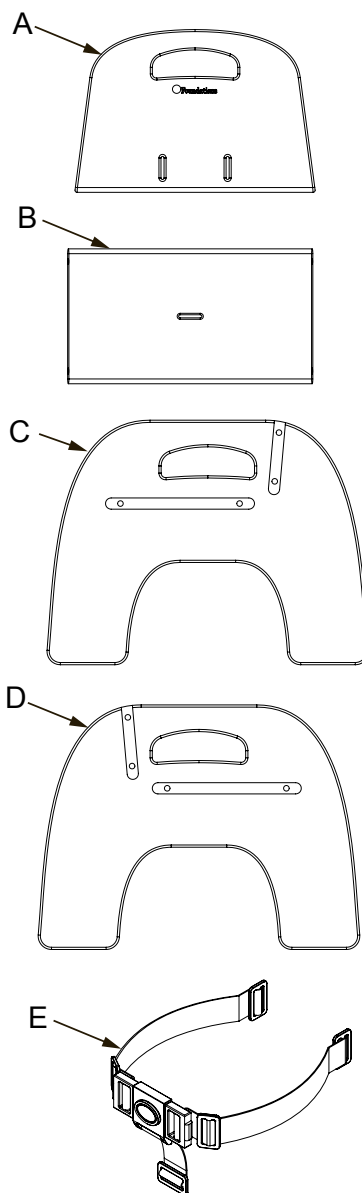
Construct Chair on an even flat floor.

Note: during the assembly process whenever using screws or bolts, check each with the parts list by letter and size identification. Place each screw or bolt on the diagram of the item which is sketched actual size. Be sure to use the proper size specified in the assembly directions. If any parts are missing or broken or you need assistance with assembly

DO NOT return your product to the dealer.

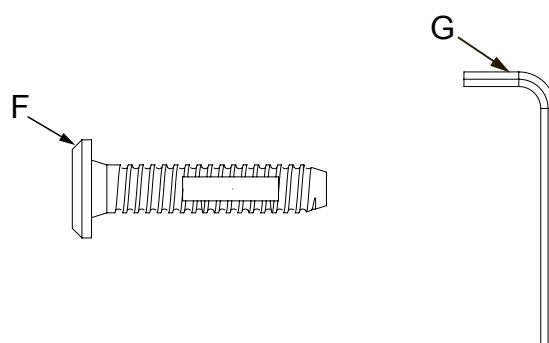
Please identify the Chair by the model number identification stamped on the inside face of the assembly when you call or write to Foundations. Make note of all identification numbers and include this information with your request.

DO NOT Substitute Parts!



AB20216_G2

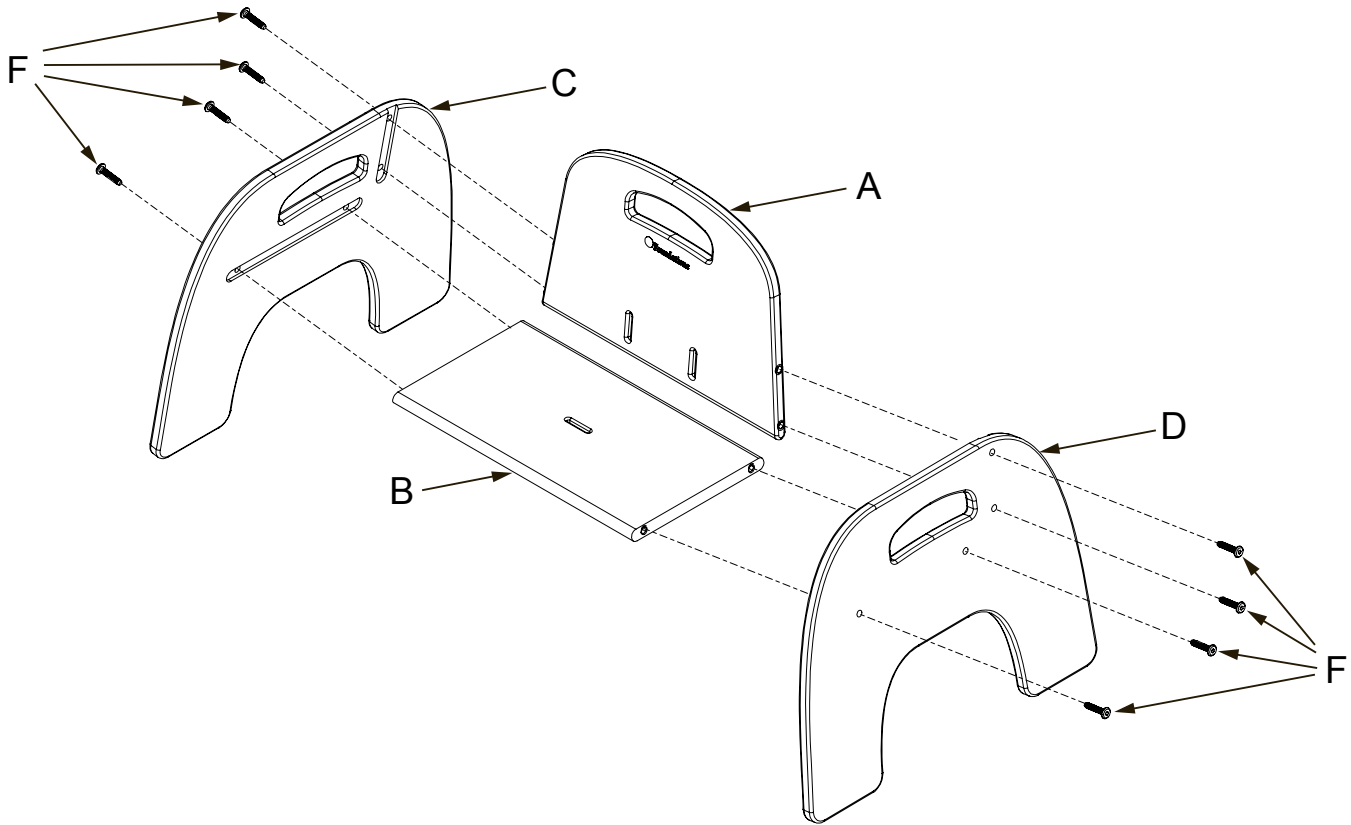
Sitting Chair Parts
Leg size shown may vary



AB20216_G3

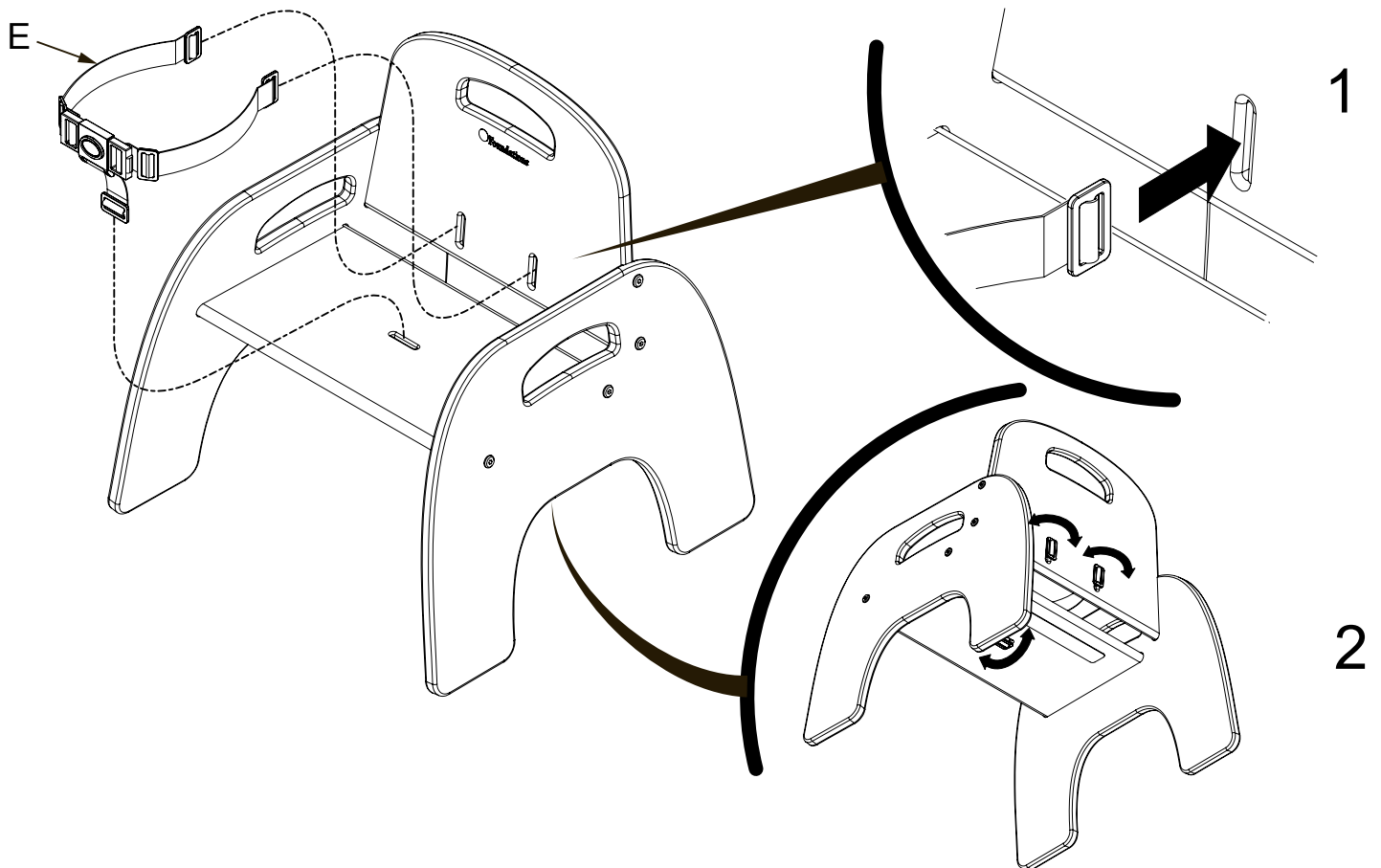
Hardware Package

STEP 1



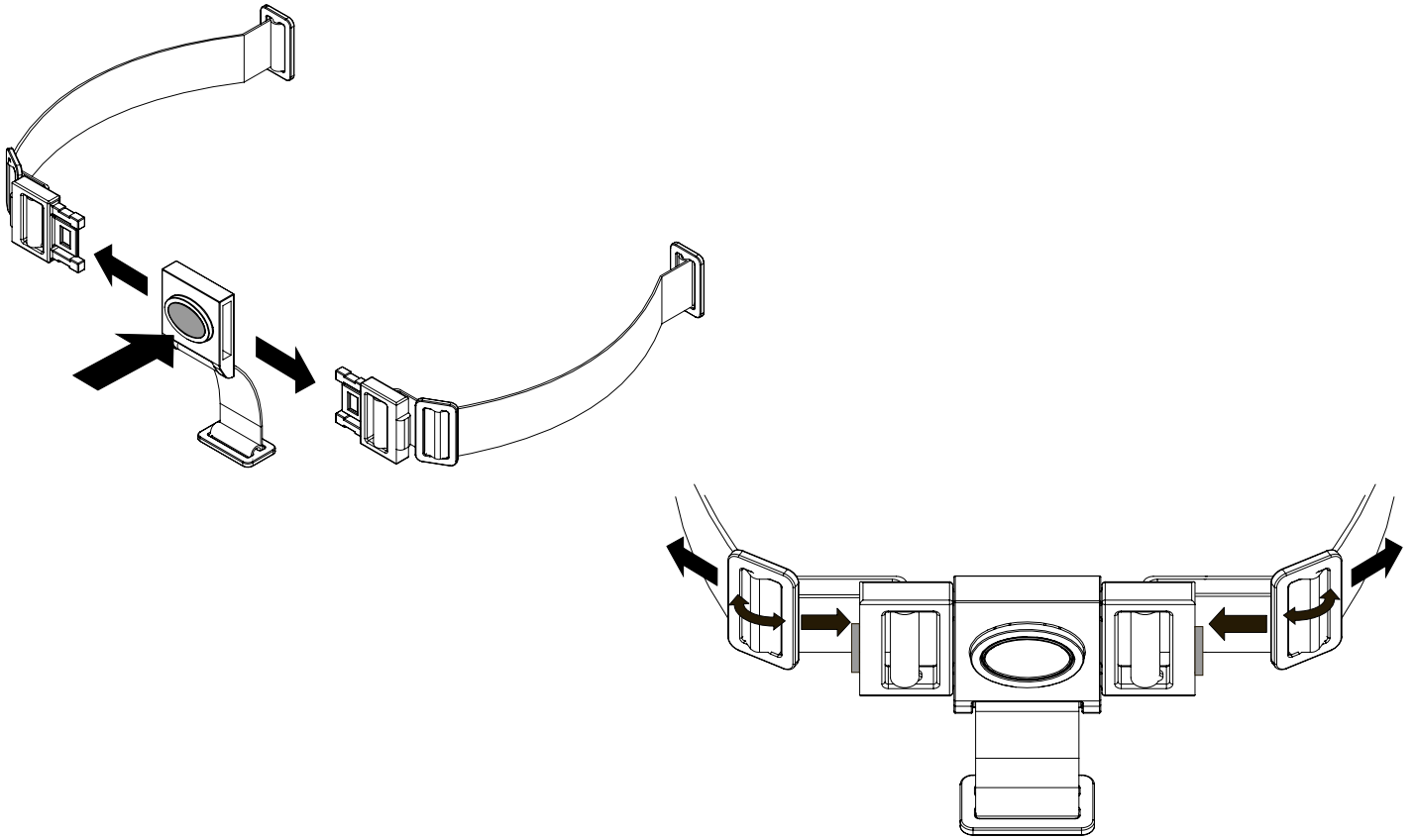
AB20216_G4

STEP 2



AB20216_G5

SAFETY BELT OPERATION



AB20215_G9



WARNING

- THE CHAIR SHALL BE USED ONLY FOR A CHILD CAPABLE OF SITTING UPRIGHT UNASSISTED.
- MAXIMUM WEIGHT OF CHILD MUST NOT EXCEED 40 LBS (18 KG).
- ALL OPERATING AND ASSEMBLY MUST BE PERFORMED BY AN ADULT.
- NEVER LEAVE CHILD UNATTENDED. ALWAYS KEEP CHILD IN VIEW WHILE IN CHAIR.
- CHILD SHOULD BE SECURED IN THE CHAIR AT ALL TIMES WITH THE 3 POINT HARNESS SYSTEM. ALWAYS ADJUST HARNESS PROPERLY TO THE SIZE OF THE CHILD.
- TRAY IS NOT DESIGNED TO HOLD CHILD SECURE IN CHAIR.
- NEVER LIFT OR CARRY CHAIR WITH CHILD IN IT.
- MAKE SURE ALL FASTENERS AND PARTS ARE SECURED TIGHTLY AND CHECK THEM PERIODICALLY.
- DISCONTINUE USE IMMEDIATELY IF ANY PARTS ARE DAMAGED, BROKEN OR MISSING.
- PLACE CHAIR ONLY ON LEVEL FLAT FLOOR SURFACES AND AWAY FROM HAZARDS SUCH AS STAIRS, HEATERS, STOVES OR DRAPERY CORDS. NEVER USE ON CHAIR OR TABLE.
- PREVENT SUFFOCATION AND DEATH. COMPLETELY REMOVE ALL PLASTIC BAGS AND PACKING MATERIALS BEFORE USING THIS PRODUCT.

Maintenance Cleaning and Storage

MAINTENANCE:

Upon completion of the assembly, check to make sure all screws, bolts and connectors are tightened and secure. Periodically check item for damaged hardware, loose joints, missing parts or sharp edges before and after assembly and frequently during use. DO NOT use item if any parts are missing or broken.

DO NOT substitute parts.

CLEANING:

Mix a mild solution of gentle dishwashing soap and water, apply to surface using a clean cloth lightly dampened in the solution. Rinse well with clear water using a soft clean cloth, then dry all surfaces with a soft dry cloth.

DO NOT use abrasive cleaners or any cleaners with harsh chemicals that would contact a child's skin, scouring pads, steel wool or coarse rags. This item should be treated the same as any fine furniture. When storing furniture use caution as extreme temperature or humidity changes could be harmful. Use caution when a vaporizer is in use. Always aim vapor stream away from furniture as well as away from any wood item.

STORAGE:

After completing the assembly the user is advised to read and be aware of ALL WARNINGS, CAUTIONS, CLEANING, STORAGE USE AND MAINTENANCE notices in these directions.