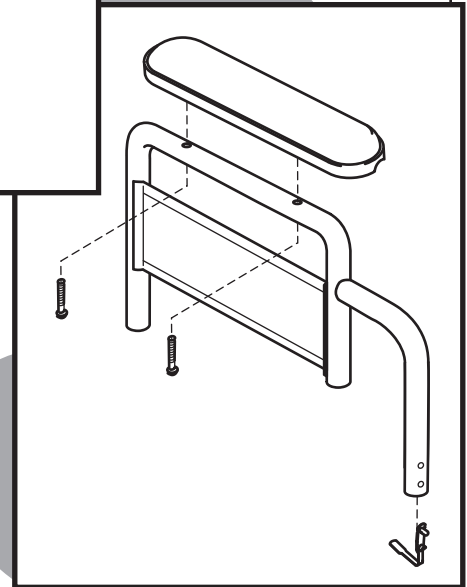
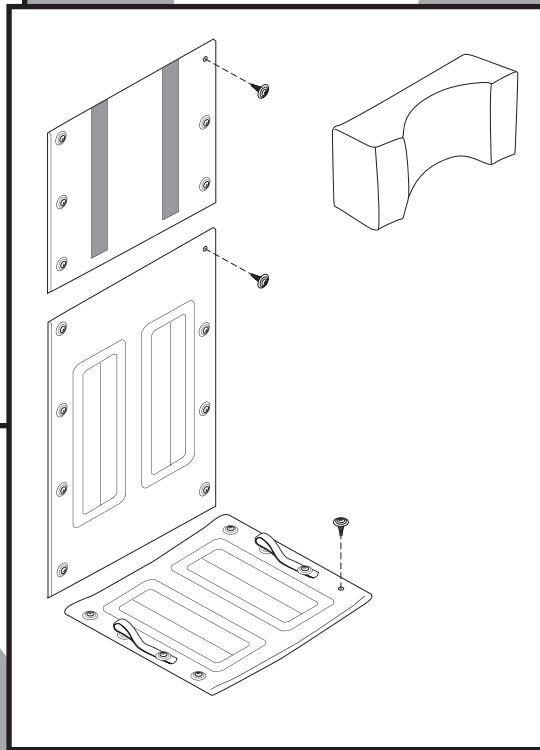
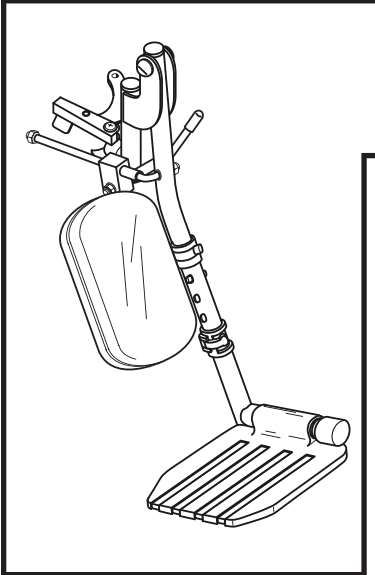


# Advantage<sup>®</sup> Recliner

## PARTS CATALOG



# CONTENTS

---

|                                 |   |
|---------------------------------|---|
| FRAME AND CROSSBRACE.....       | 3 |
| ARM .....                       | 4 |
| CASTER.....                     | 4 |
| UPHOLSTERY .....                | 5 |
| FRONT RIGGING, DETACHABLE ..... | 6 |
| REAR WHEEL.....                 | 7 |
| ACCESSORIES.....                | 7 |

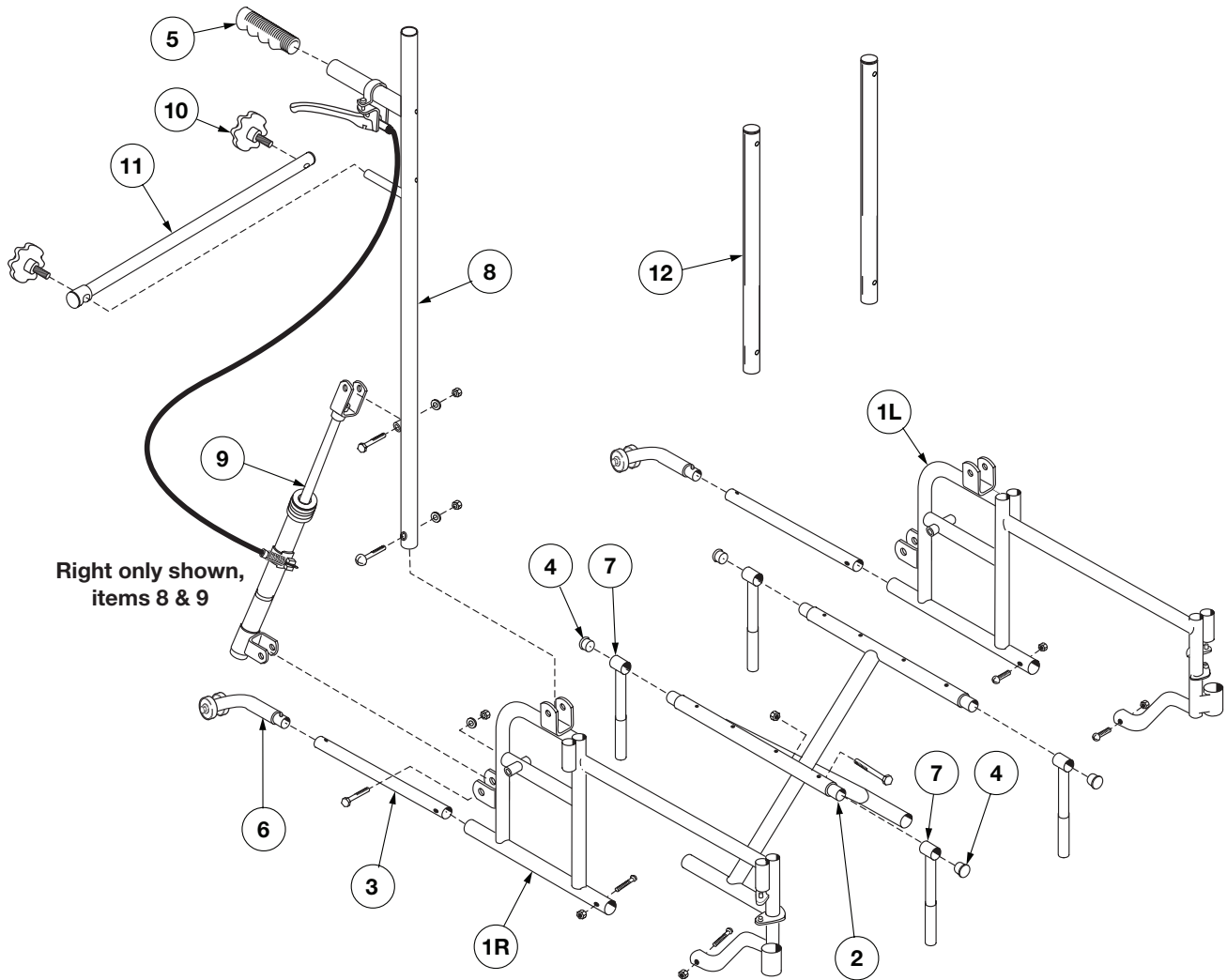
Returns: Parts may not be returned without prior authorization from GF Health Products, Inc. Custom parts cannot be returned for credit. Please refer to GF Health Products, Inc. [Terms and Conditions](#) for further information.

GF Health Products, Inc. is not responsible for typographical errors. All illustrations, specifications, packaging and warranties contained in this catalog are based on the latest product information available at the time of printing.

**Everest & Jennings, E&J, Advantage, and Graham-Field** are registered trademarks of GF Health Products, Inc.

© 2013, GF Health Products, Inc., All Rights Reserved

# FRAME AND CROSSBRACE



## 1 Sideframe

Right..... 90763701  
Left ..... 90763702

## 2 Crossbrace, pair; includes center bolt and nut

16" W..... 907637A1  
18" W..... 907637A2  
20" W..... 907637A3

## 3 Bottom inner rail kit; includes bottom inner rail, 2 each; mounting screw and nut, 4 each; and sleeve, 2 each..... 90763703

## 4 Plug, seat rail, set of 4 ..... 90763704

## 5 Grip, black, 10 each ..... 90763005

## 6 Anti-tipper, pair..... 90763730

## 7 Seat slide, front and rear;

16" - 18" W, pair ..... 90763705  
20" W, set..... 90763706

## 8 Backpost, cable and trigger, pair; includes cable mounting hardware ..... 90763710

## 9 Mech-lock, pair; includes mounting hardware..... 90763715

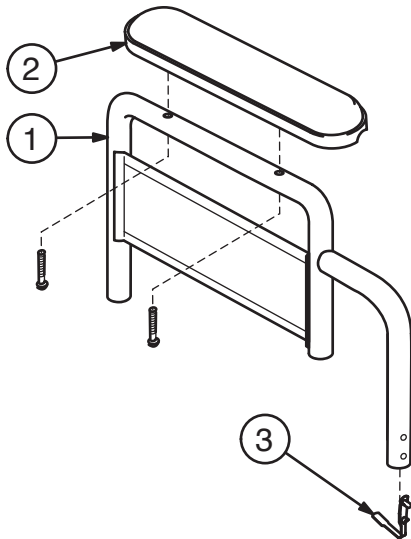
## 10 Spreader bar knob, pair..... 90763725

## 11 Spreader bar

16" W..... 907637E1  
18" W..... 907637E2  
20" W..... 907637E3

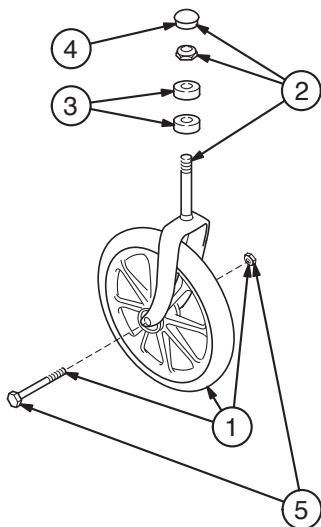
## 12 Headrest post, pair ..... 90763720

# ARM

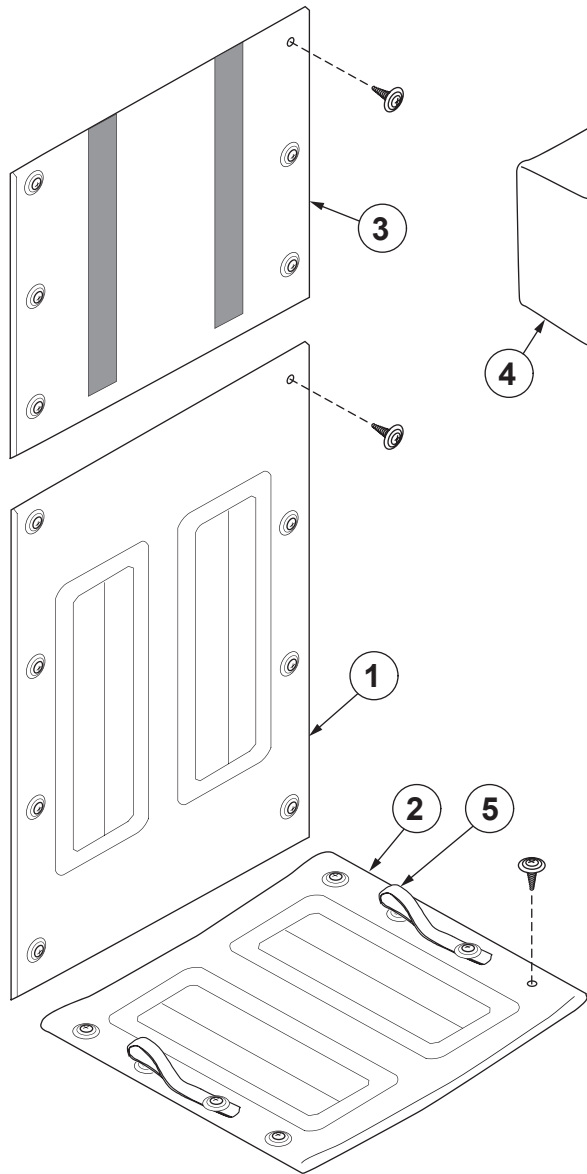


- 1 **Arm, detachable fixed-height, pair:**  
Includes right and left arm with side panel and spring lock (does not include arm pad)  
 Desk length..... 90763020  
 Full length ..... 90763021
  
- 2 **Arm pad, pair:** Includes two black arm pads and mounting screws  
 Desk length..... 90763022  
 Full length ..... 90763023
  
- 3 **Spring lock (10 each)** ..... 90763024

# CASTER



- Complete castor (fork and wheel),**  
8" x 1" solid rubber tire ..... 90763540
  
- 1 **Castor wheel, axle and nut**..... 90763541
- 2 **Castor fork, stem nut and dust cap**.... 90763542
- 3 **Castor stem bearing (10 each)** ..... 90763543
- 4 **Castor dust cap (10 each)**..... 90763544
- 5 **Castor axle and nut (10 each)**..... 90763545



**1 Back upholstery, black vinyl, with built-in chart holder: Includes hardware**

|                |          |
|----------------|----------|
| 16" wide ..... | 907637B1 |
| 18" wide ..... | 907637B2 |
| 20" wide ..... | 907637B3 |

**2 Seat upholstery, black vinyl: Includes hardware**

|                |          |
|----------------|----------|
| 16" wide ..... | 907637C1 |
| 18" wide ..... | 907637C2 |
| 20" wide ..... | 907637C3 |

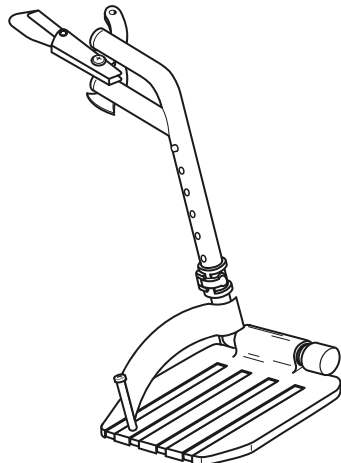
**3 Headrest upholstery, black vinyl: Includes hardware**

|                |          |
|----------------|----------|
| 16" wide ..... | 907637D1 |
| 18" wide ..... | 907637D2 |
| 20" wide ..... | 907637D3 |

**4 Headrest cushion, black vinyl ..... 90763735**

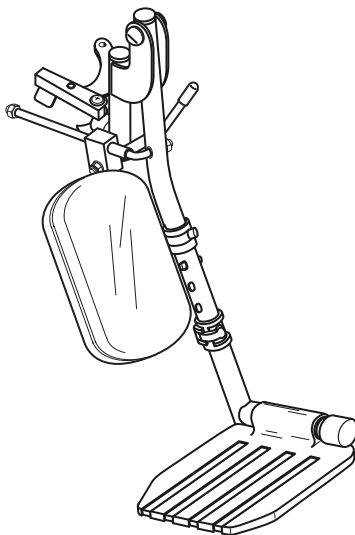
**5 Carry strap, black vinyl, pair: Includes hardware..... 90763740**

# FRONT RIGGING, DETACHABLE



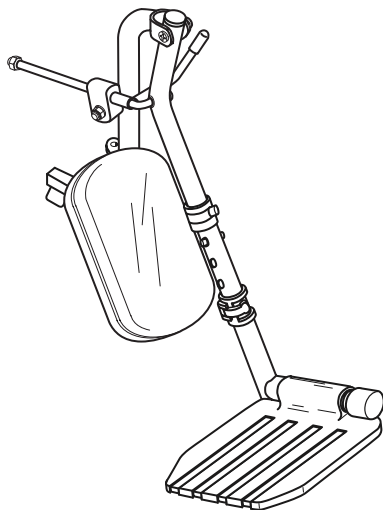
**Footrest, pair, all widths**  
 Includes right and left hanger with release  
 and composite footplate with extension  
 and heel loop ..... 90763030

**Composite footplate, pair**  
 (Fits all front rigging)..... 90763033



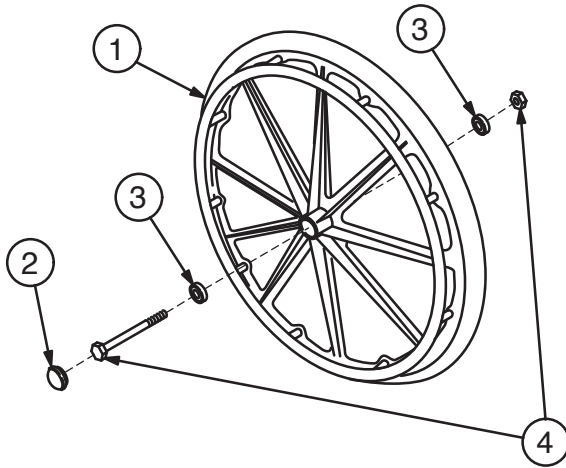
**Low-pivot elevating legrest, pair, all widths**  
 Includes right and left hanger with release,  
 composite footplate with extension, and  
 legrest panel (does not include  
 heel loop)..... 90763031

**Elevating legrest panel kit**  
 (Fits all elevating legrests)  
 Includes 2 black padded panels  
 and hardware..... 90763032



**High-pivot elevating legrest, pair, all widths**  
 Includes right and left hanger with release,  
 aluminum footplate with extension, and  
 legrest panel (does not include  
 heel loop)..... 90763435

# REAR WHEEL



|                                                                                                                          |          |
|--------------------------------------------------------------------------------------------------------------------------|----------|
| 1 Rear wheel with handrim, 24" x 1", solid rubber tire: Includes hub cap and bearing; does not include axle or nut ..... | 90763550 |
| 2 Hub cap (10 each).....                                                                                                 | 90763051 |
| 3 Wheel bearing (10 each) .....                                                                                          | 90763552 |
| 4 Rear axle and nut (10 each).....                                                                                       | 90763554 |

# ACCESSORIES

## Advantage Recliner accessories (not shown)

|                                          |          |
|------------------------------------------|----------|
| 1 Heel loop, pair.....                   | 90763064 |
| 2 Wheel lock, pair: Includes rubber tips |          |
| Push to lock .....                       | 90763060 |
| Pull to lock .....                       | 90763061 |
| 3 Rubber tip, wheel lock (10 each).....  | 90763063 |
| 4 Wheel lock extension, pair .....       | 90763062 |
| 5 Positioning belt (metal buckle) .....  | 92133040 |
| 6 Anti-Fold bar .....                    | 92523850 |

Everest & Jennings®

GF Health Products, Inc.



Advantage Recliner Parts Catalog  
GF1300005RevD14